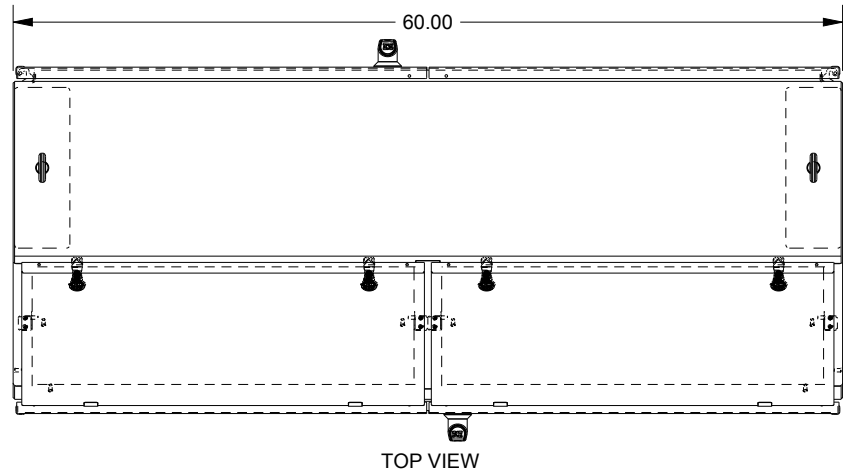
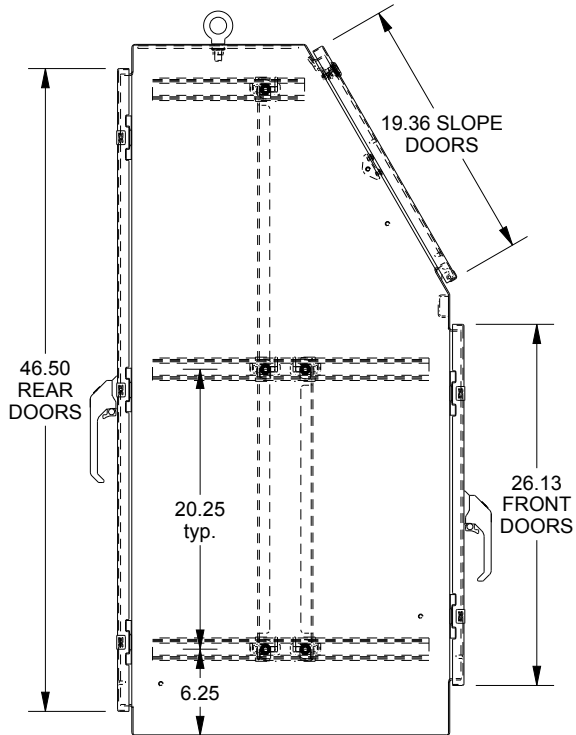


# SAGINAW CONTROL & ENGINEERING SCE-1460BD

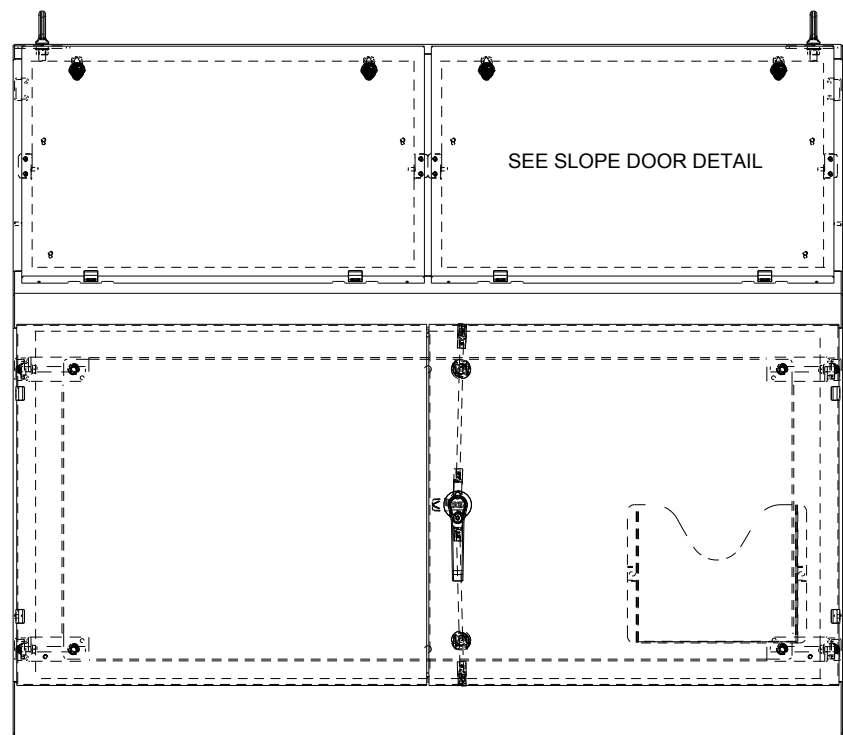


TOP VIEW

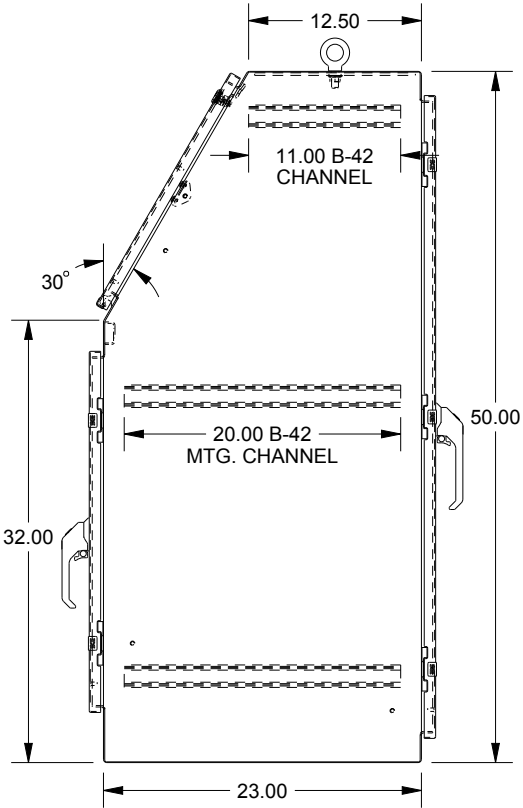


LEFT SIDE VIEW

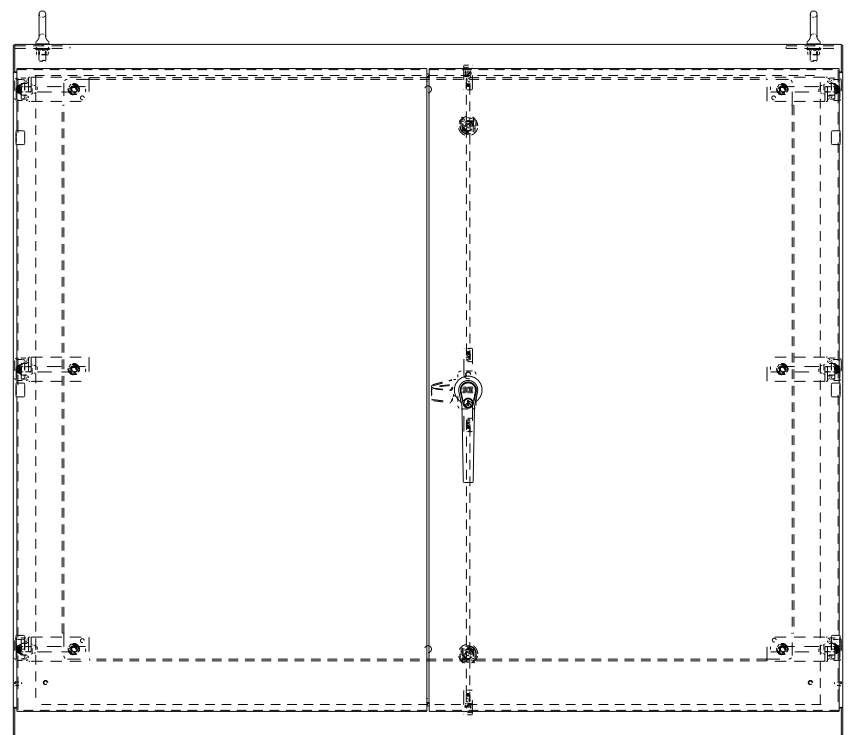
FULL & HALF PANELS NOT INCLUDED



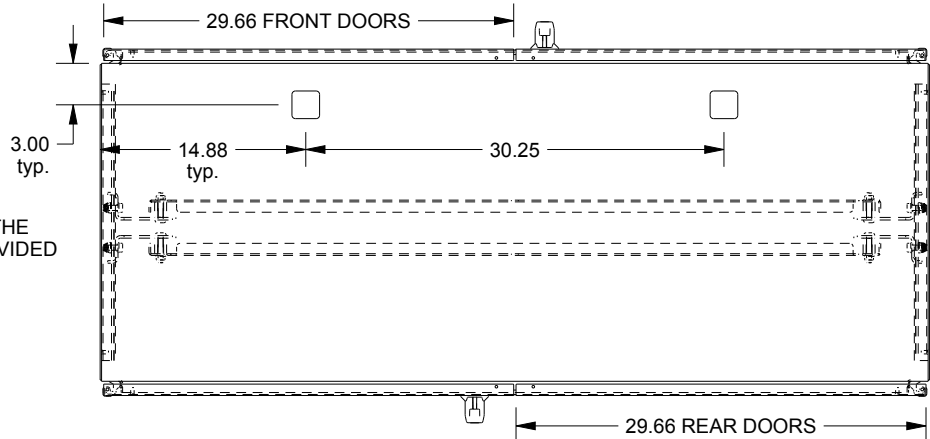
FRONT VIEW



RIGHT SIDE VIEW

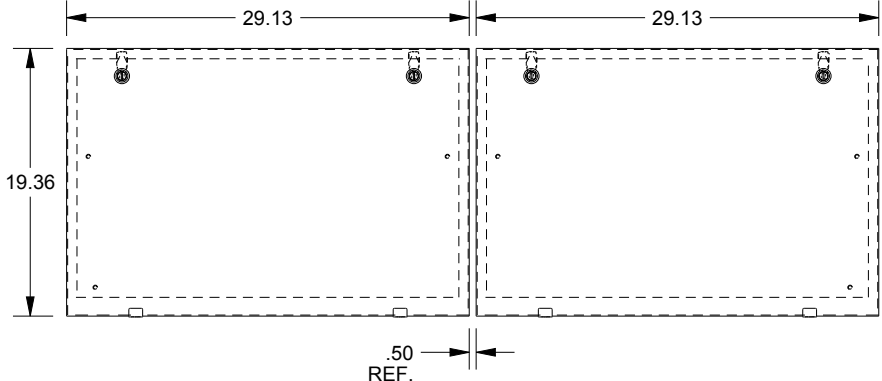


EXTERNAL REAR VIEW



BOTTOM VIEW

WASH SYSTEM 2" SQUARE DRAIN HOLES IN THE BOTTOM WITH UL APPROVED HOLE SEALS PROVIDED



SLOPE DOOR DETAIL