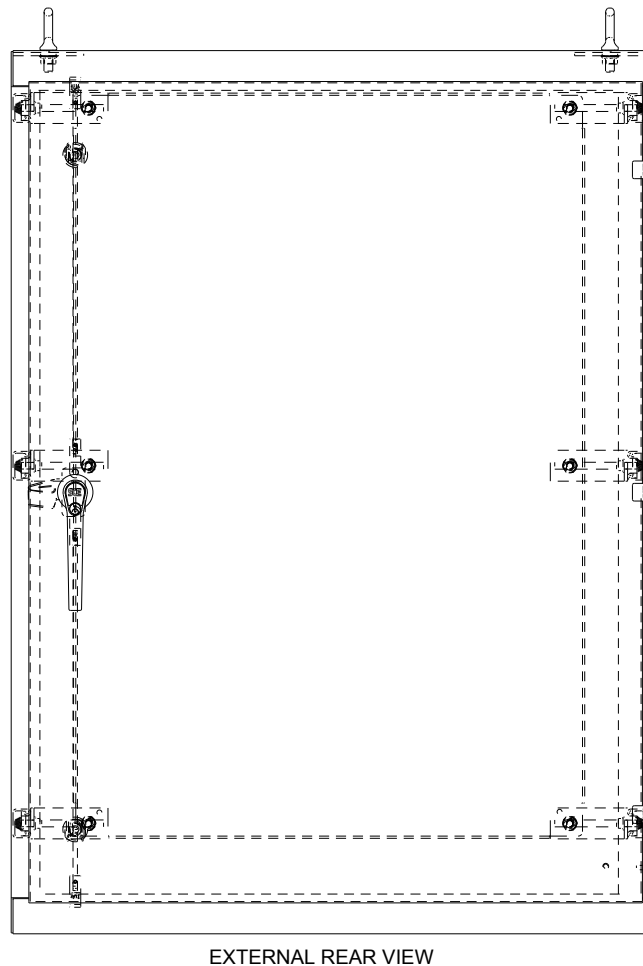
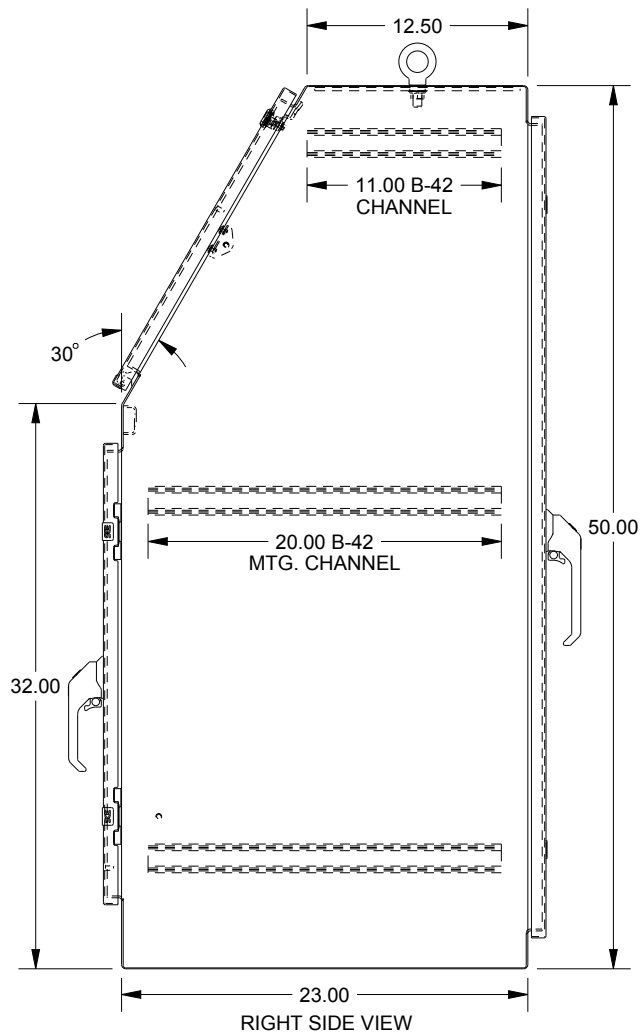
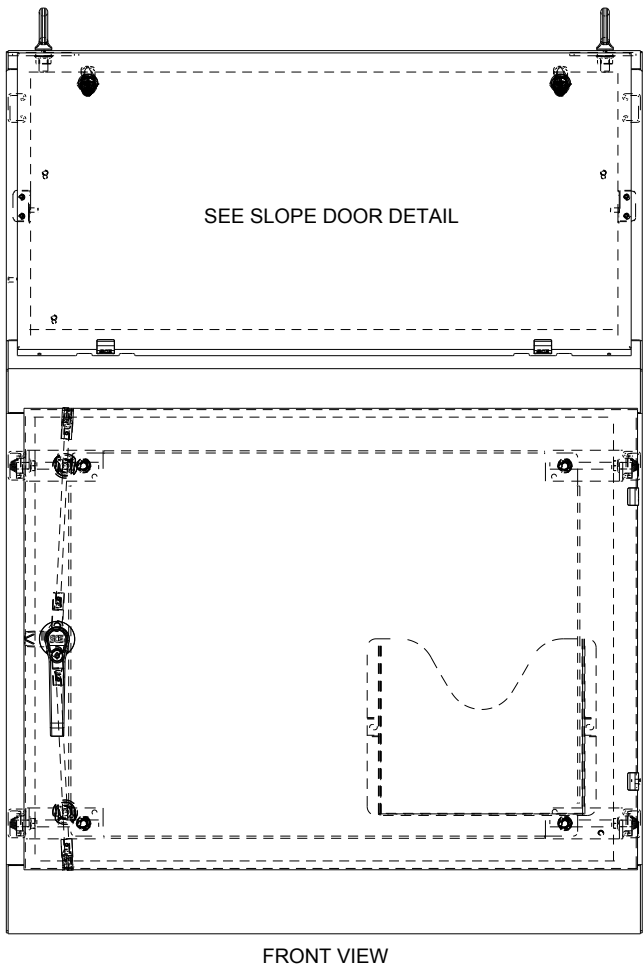
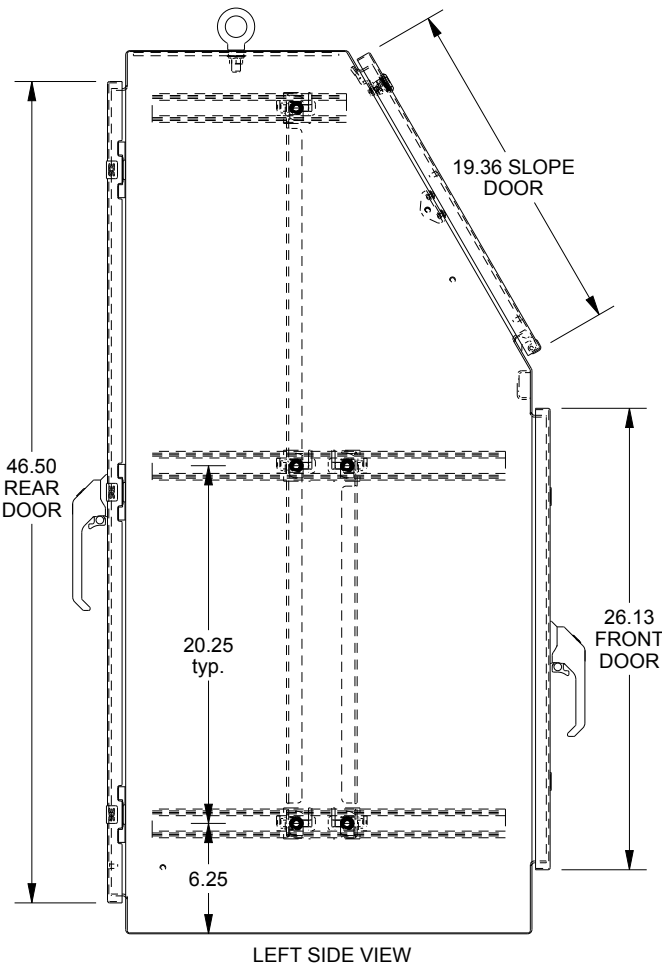
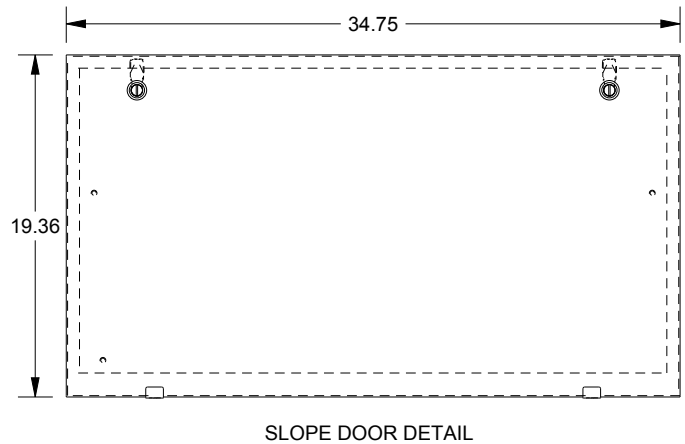
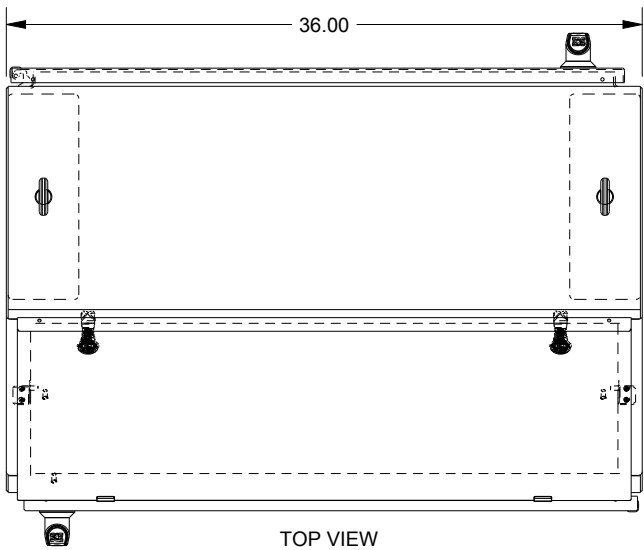
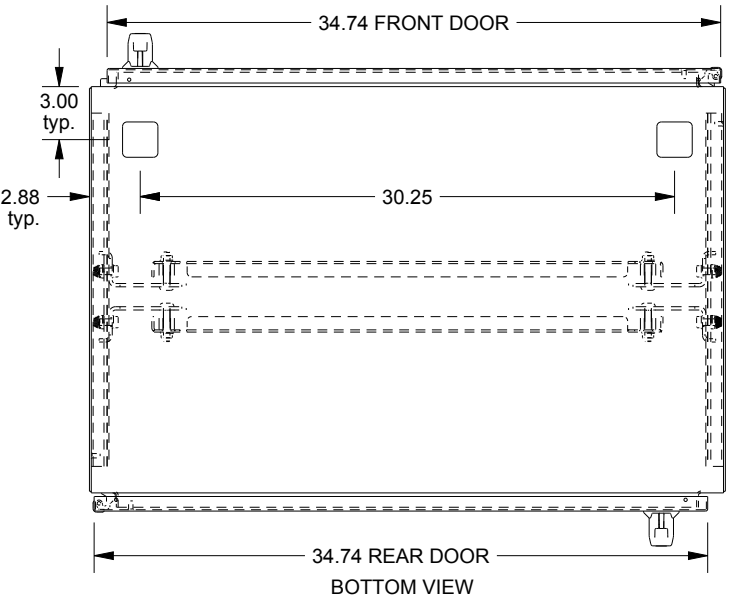


SAGINAW CONTROL & ENGINEERING

SCE-1436B

WASH SYSTEM 2" SQUARE DRAIN HOLES IN THE BOTTOM WITH UL APPROVED HOLE SEALS PROVIDED



FULL & HALF PANELS NOT INCLUDED