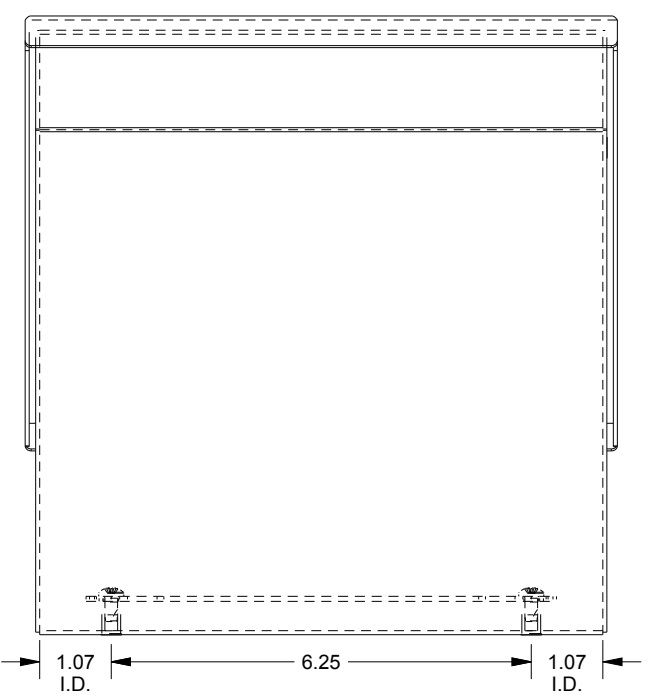
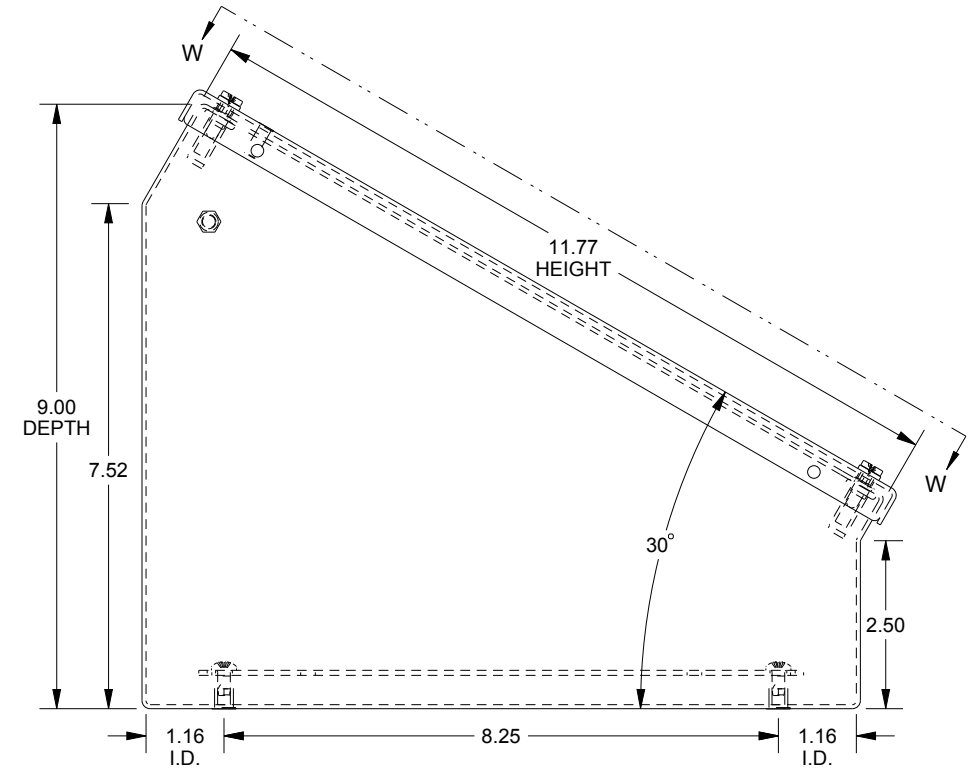


SAGINAW CONTROL & ENGINEERING

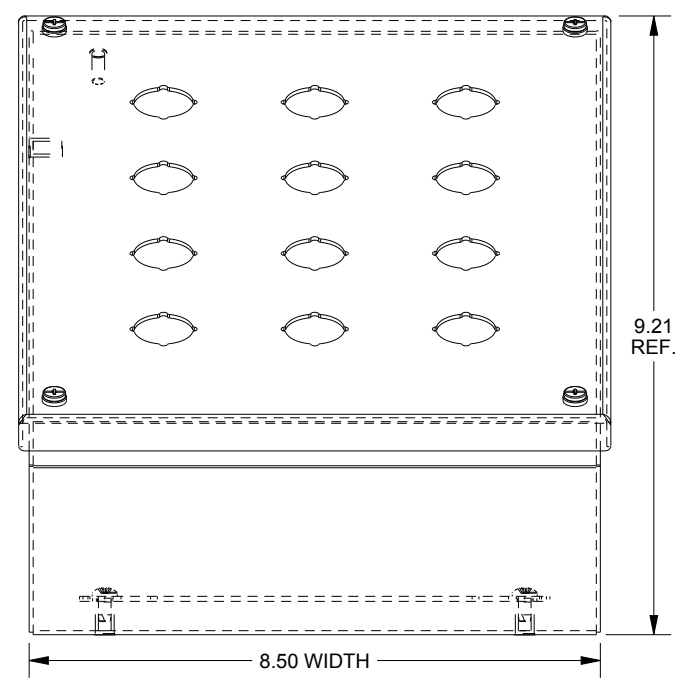
SCE-12SPBAI



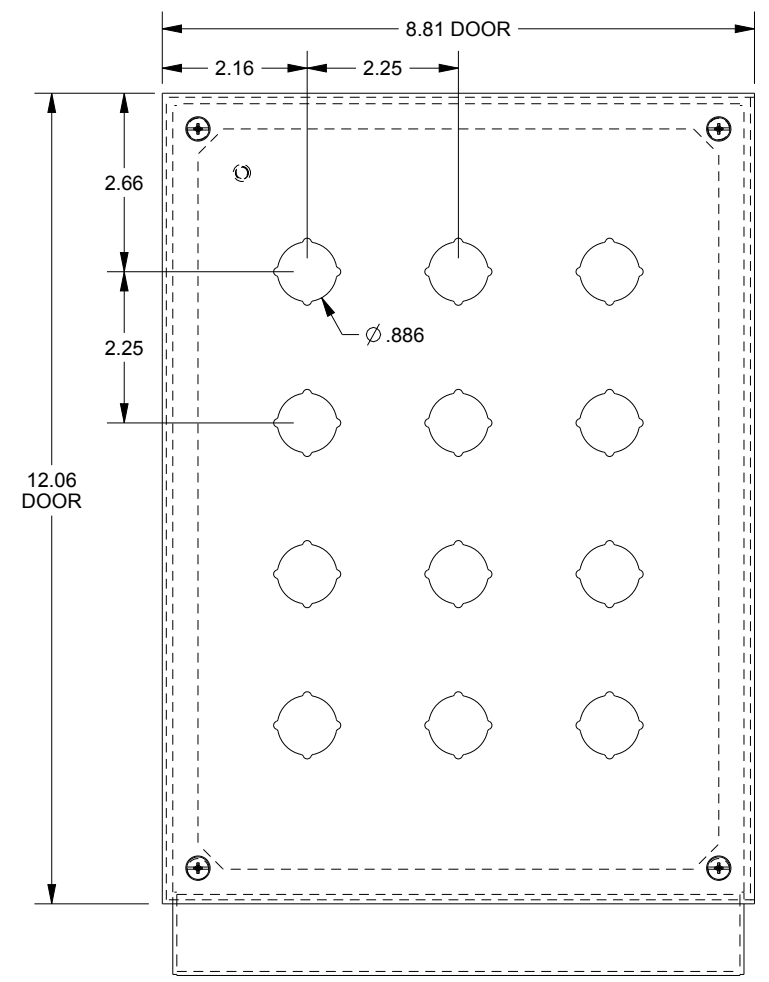
REAR VIEW



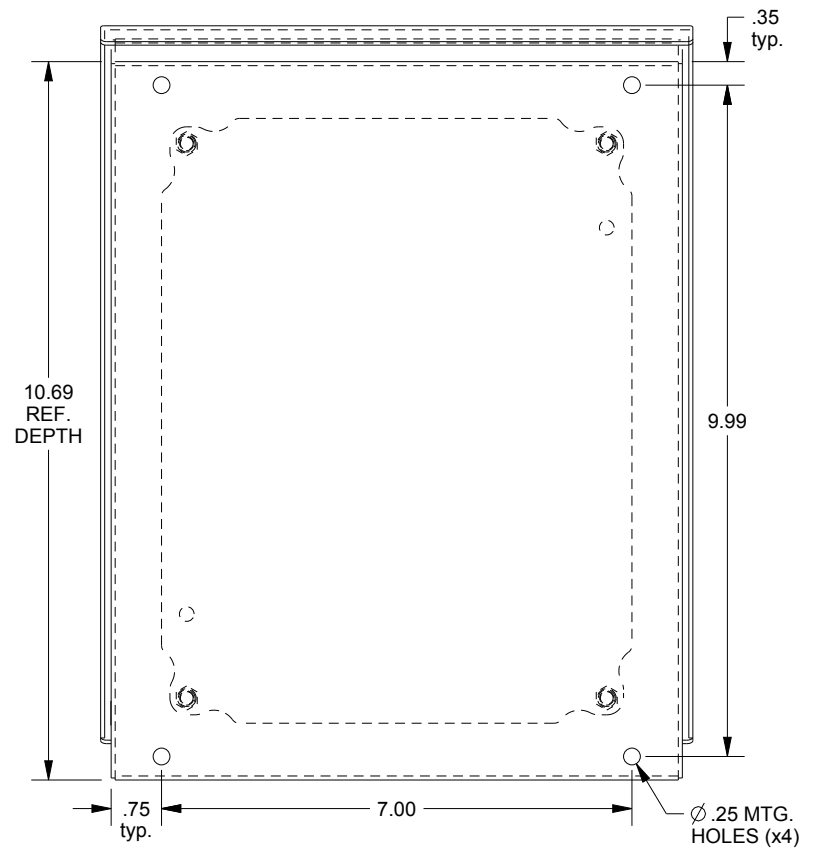
LEFT SIDE VIEW



FRONT VIEW



SECTION W-W



BOTTOM VIEW