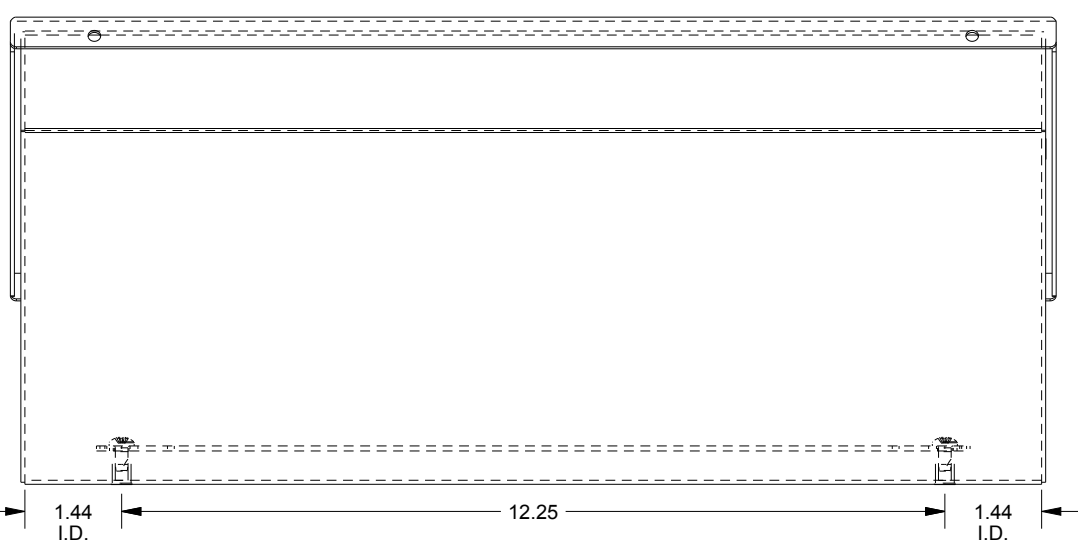
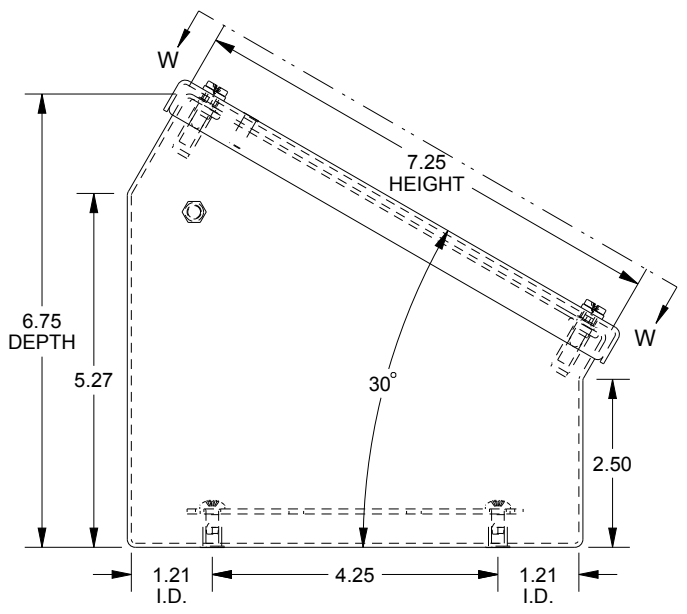


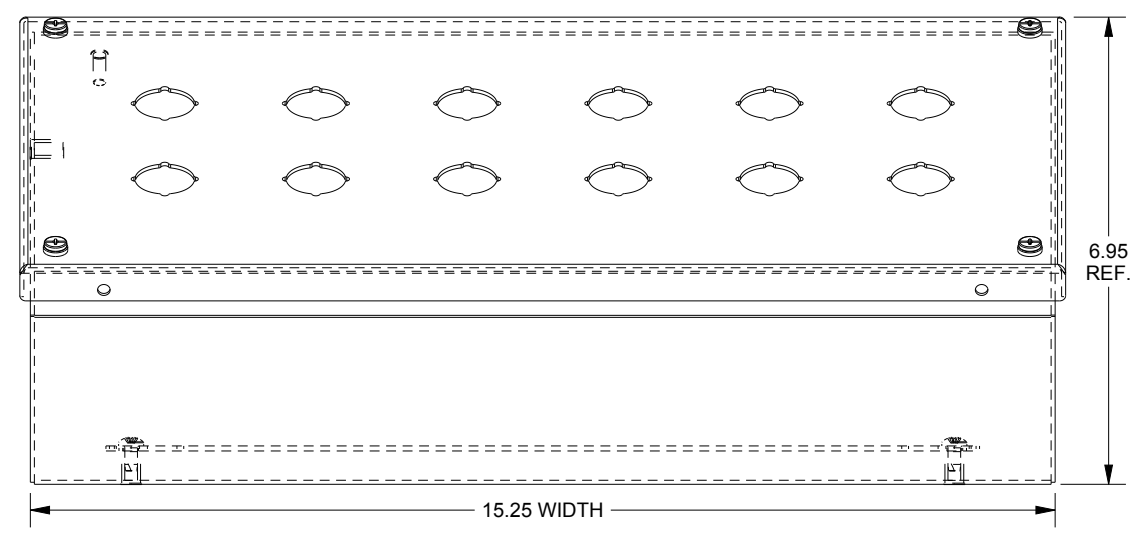
SAGINAW CONTROL & ENGINEERING SCE-12PBAI



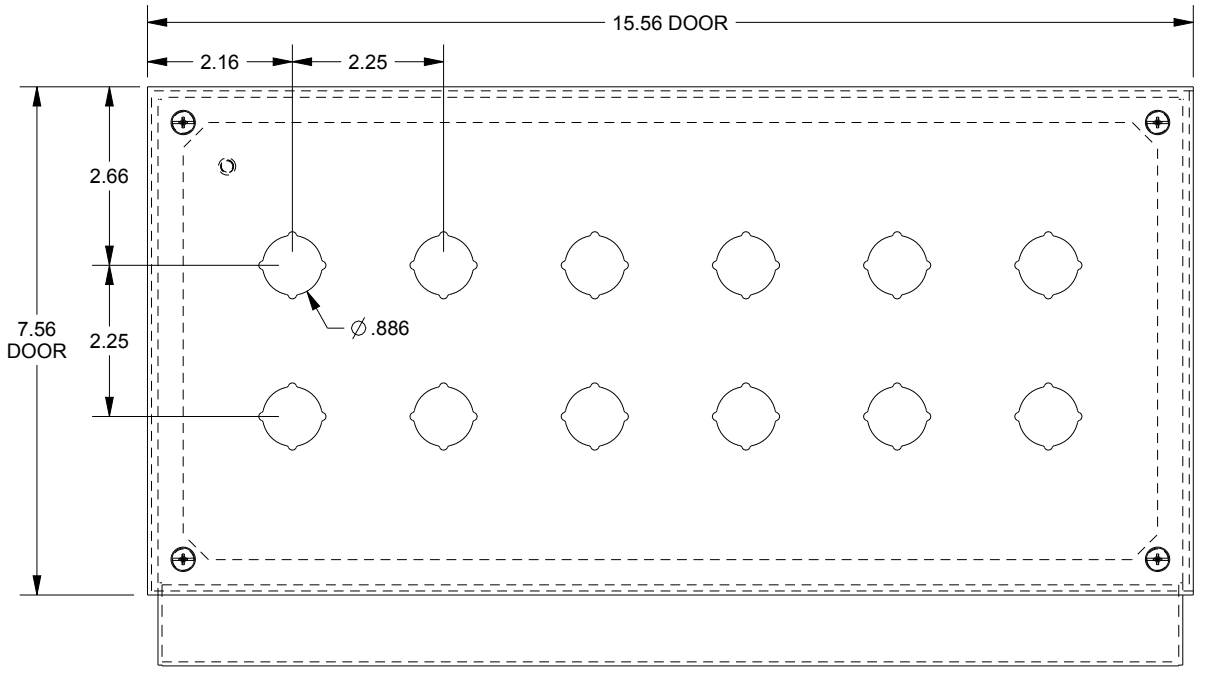
REAR VIEW



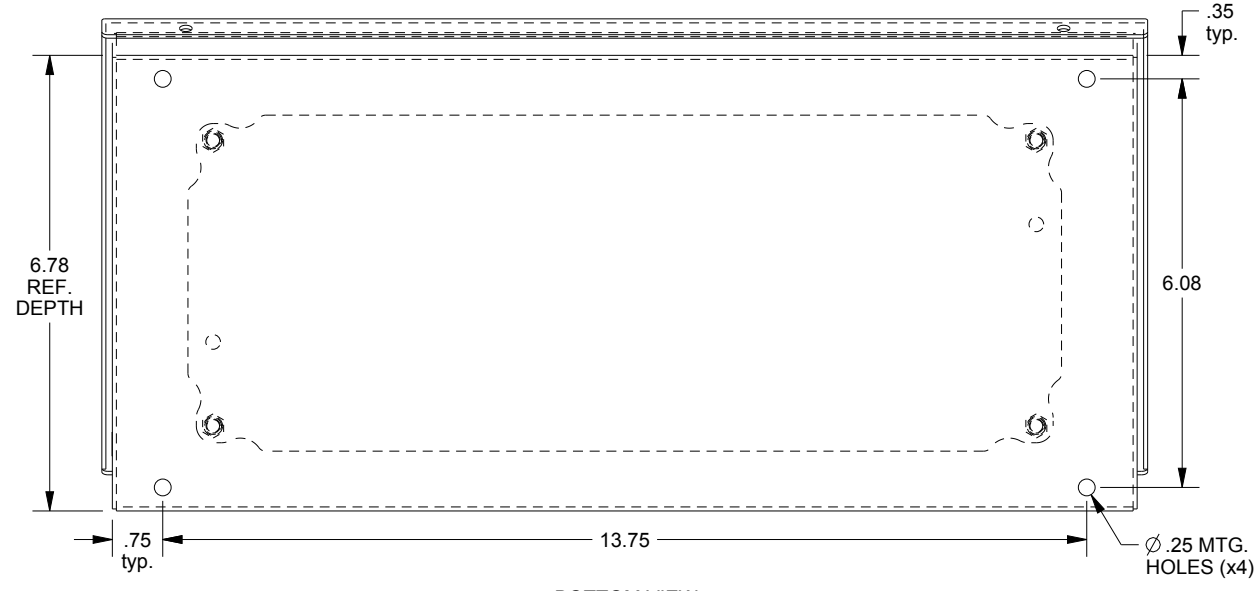
LEFT SIDE VIEW



FRONT VIEW



SECTION W-W



BOTTOM VIEW