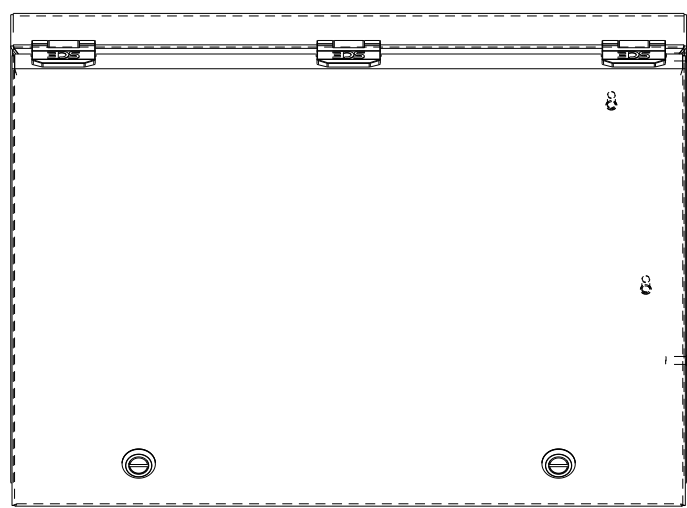
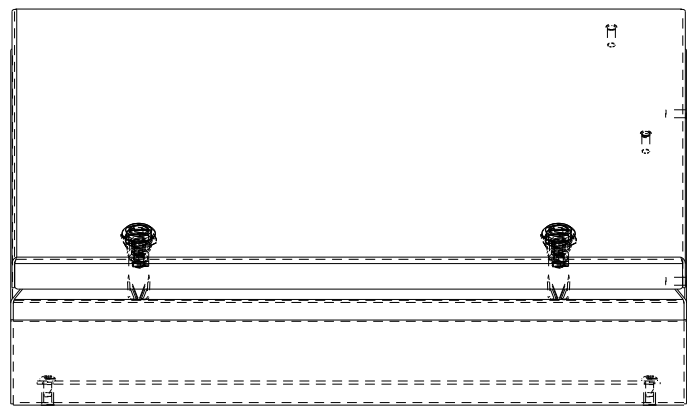


SAGINAW CONTROL & ENGINEERING

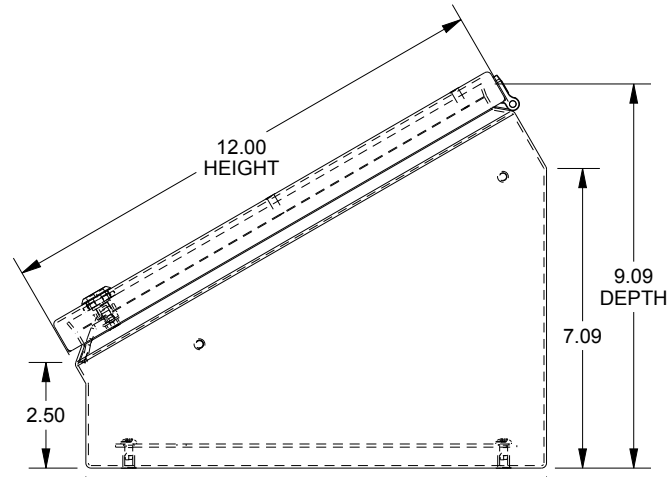
SCE-12C16ELJ



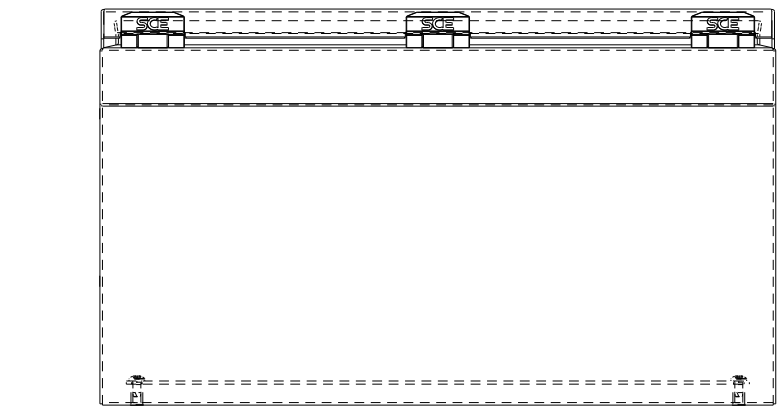
TOP VIEW



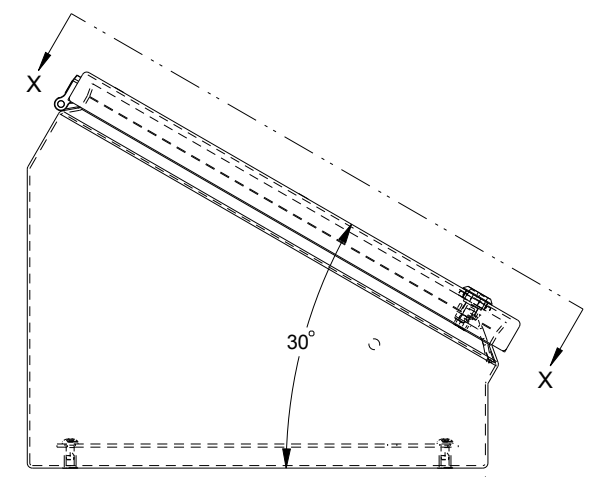
16.00 WIDTH
FRONT VIEW



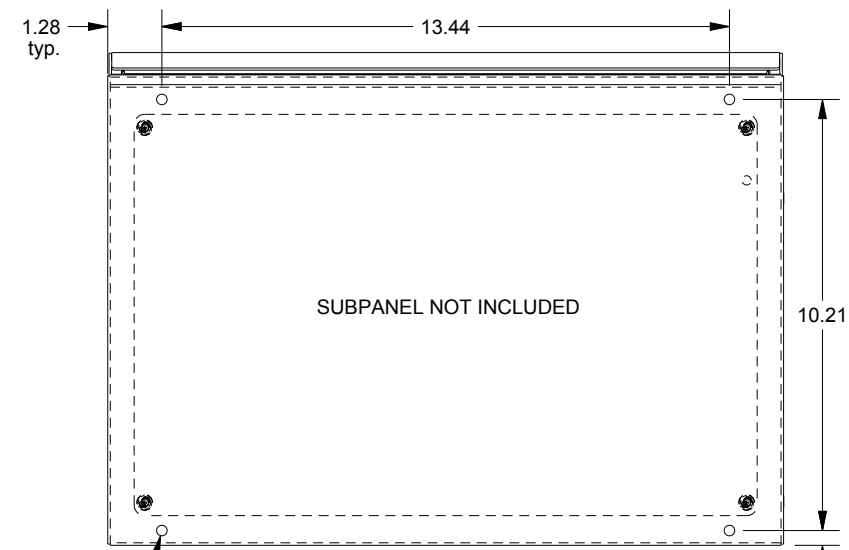
12.00 HEIGHT
10.91 REF. DEPTH
RIGHT SIDE VIEW



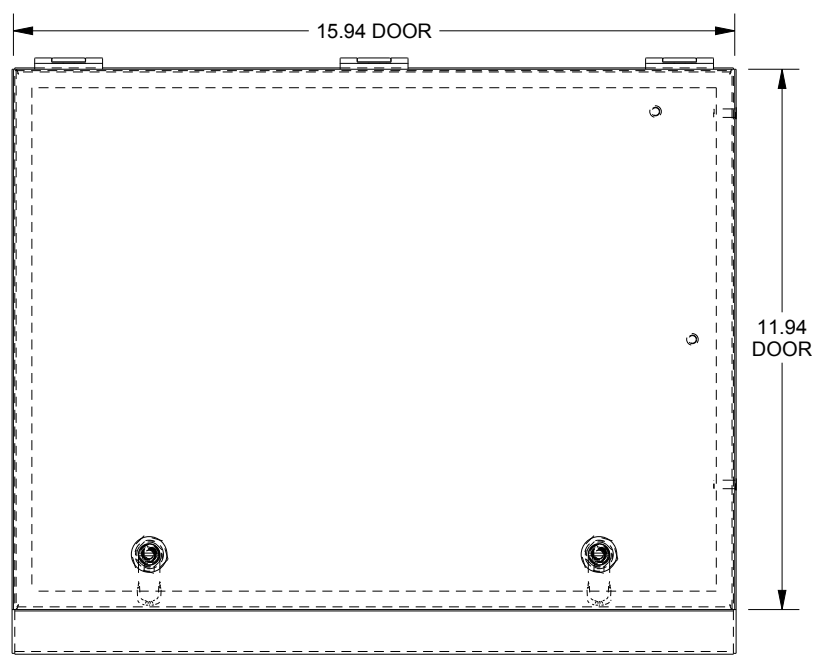
.82 I.D.
14.25
REAR VIEW



8.875
LEFT SIDE VIEW



13.44
10.21
SUBPANEL NOT INCLUDED
BOTTOM VIEW



15.94 DOOR
11.94 DOOR
SECTION X-X