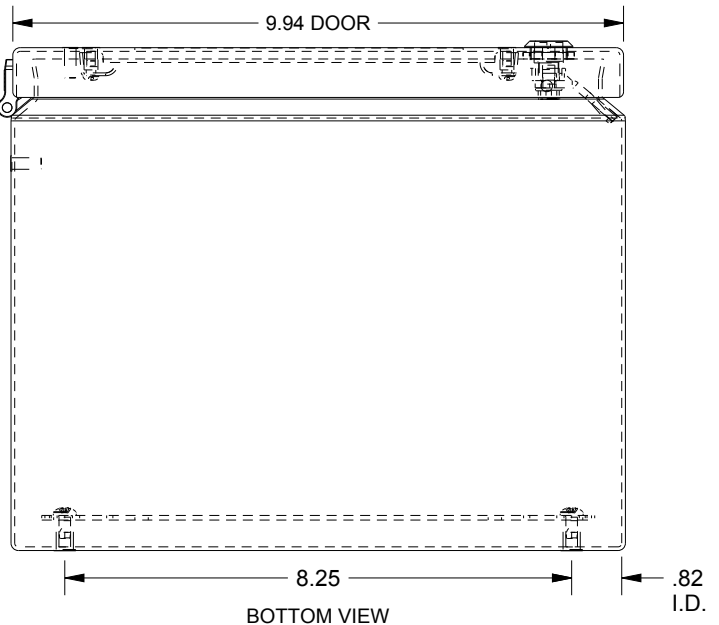
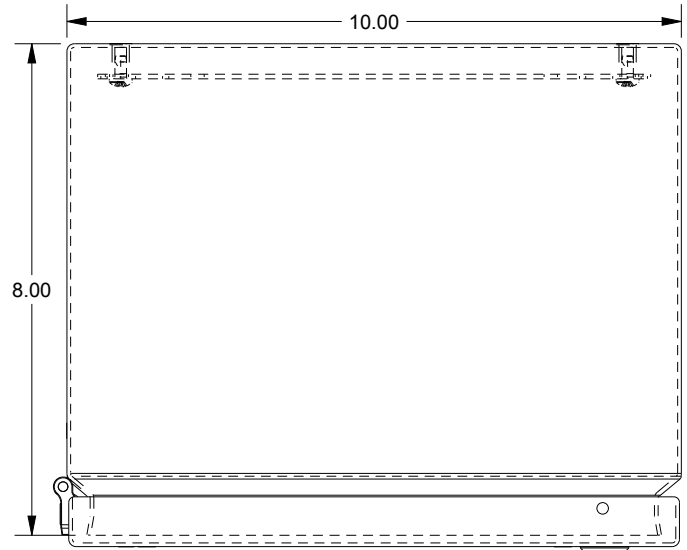


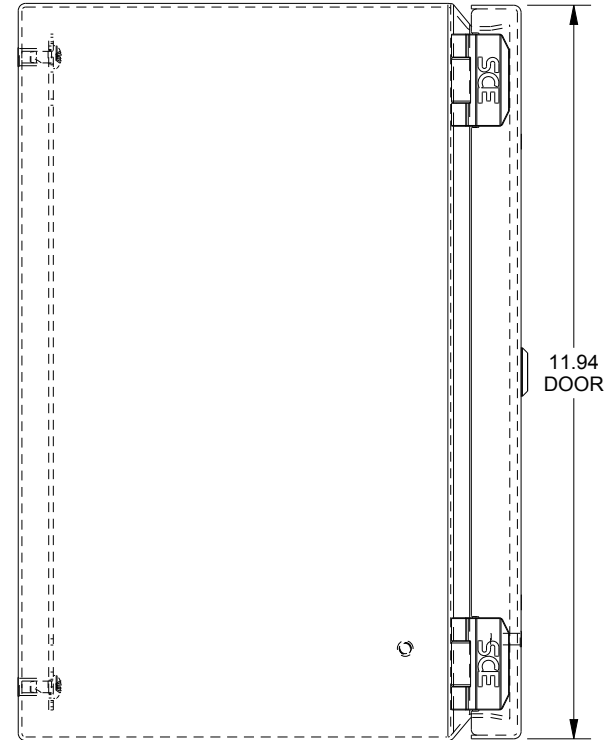
SAGINAW CONTROL & ENGINEERING SCE-12108ELJW



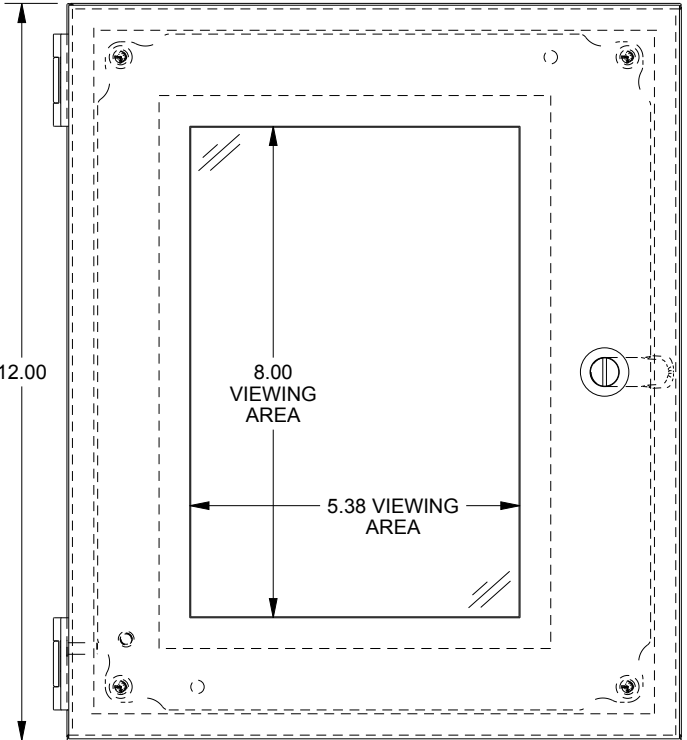
BOTTOM VIEW



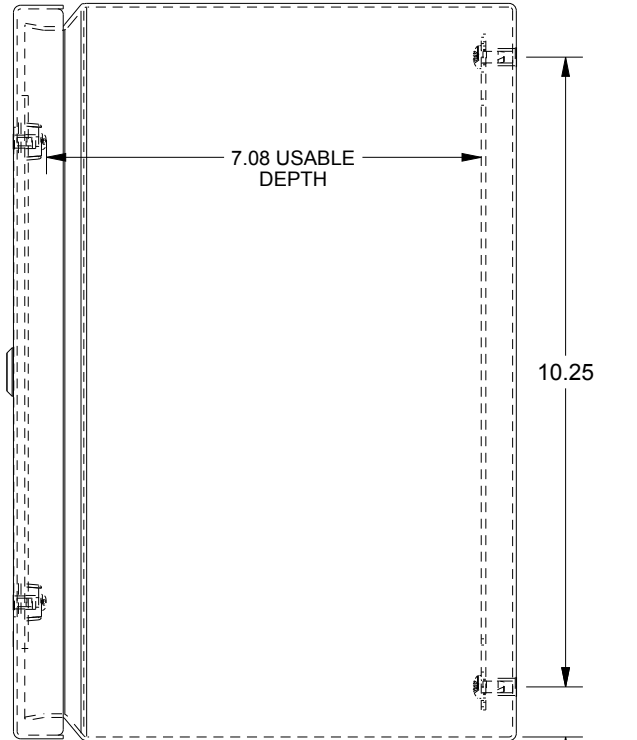
TOP VIEW



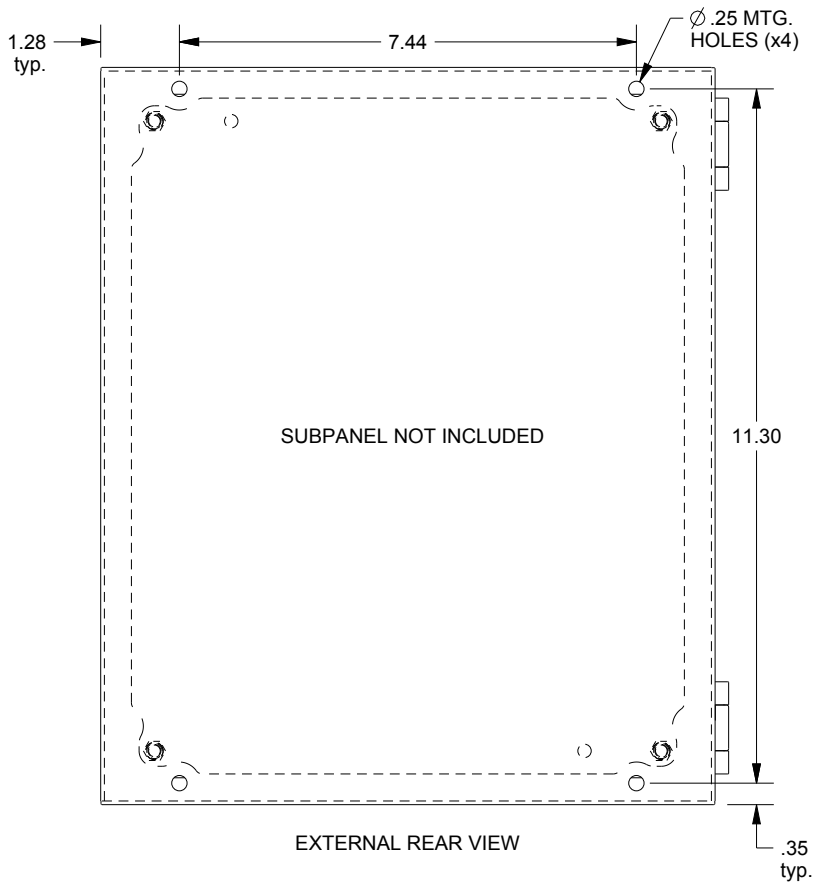
LEFT SIDE VIEW



FRONT VIEW



RIGHT SIDE VIEW



EXTERNAL REAR VIEW