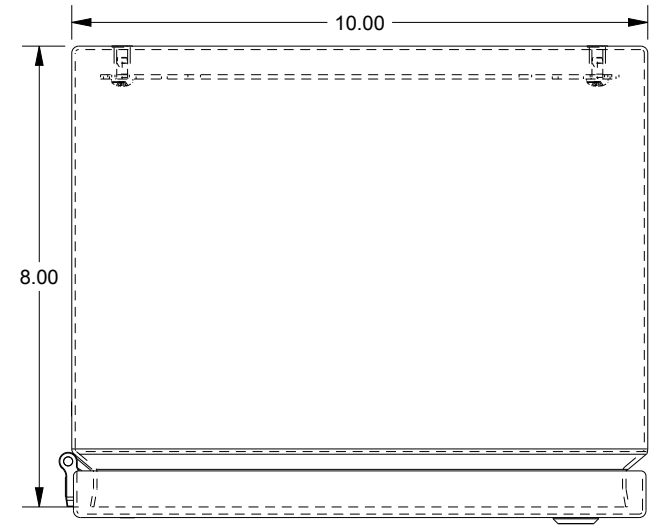
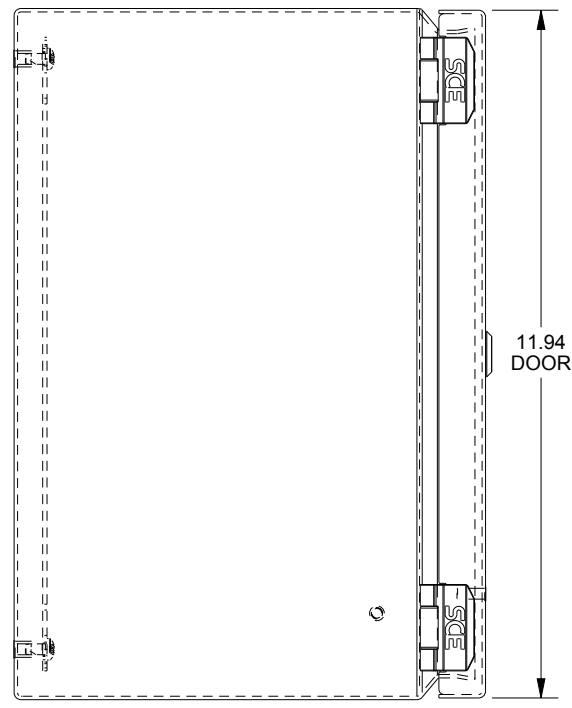


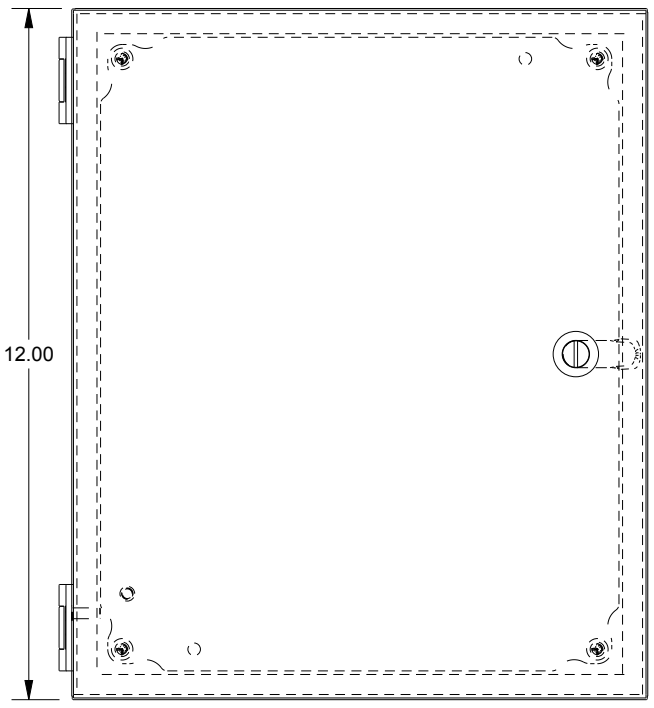
SAGINAW CONTROL & ENGINEERING SCE-12108ELJSS



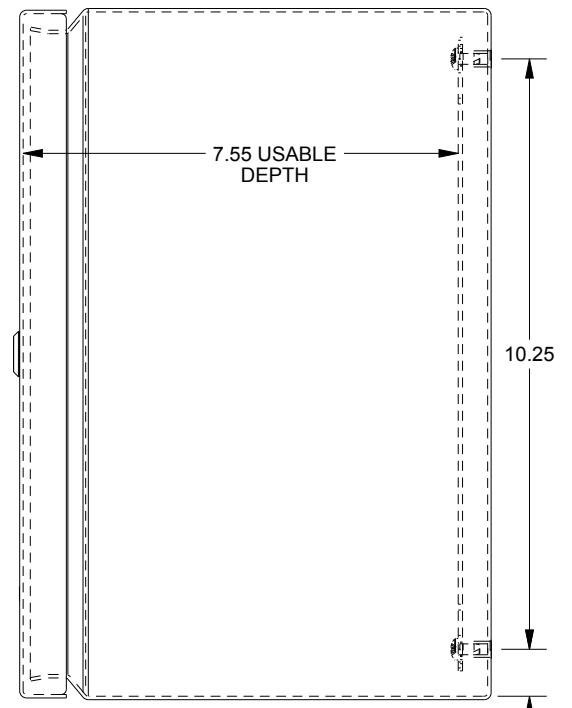
TOP VIEW



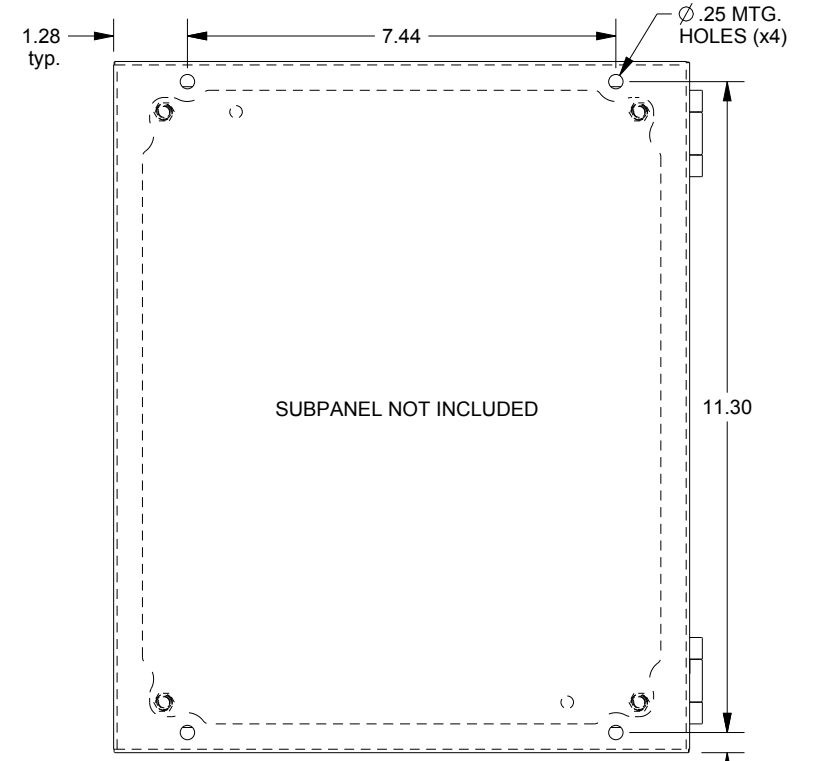
LEFT SIDE VIEW



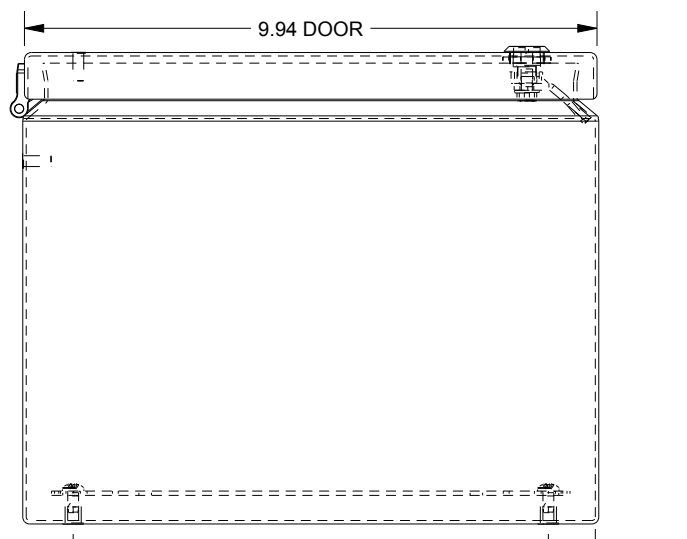
FRONT VIEW



RIGHT SIDE VIEW



EXTERNAL REAR VIEW



BOTTOM VIEW

.82 I.D.