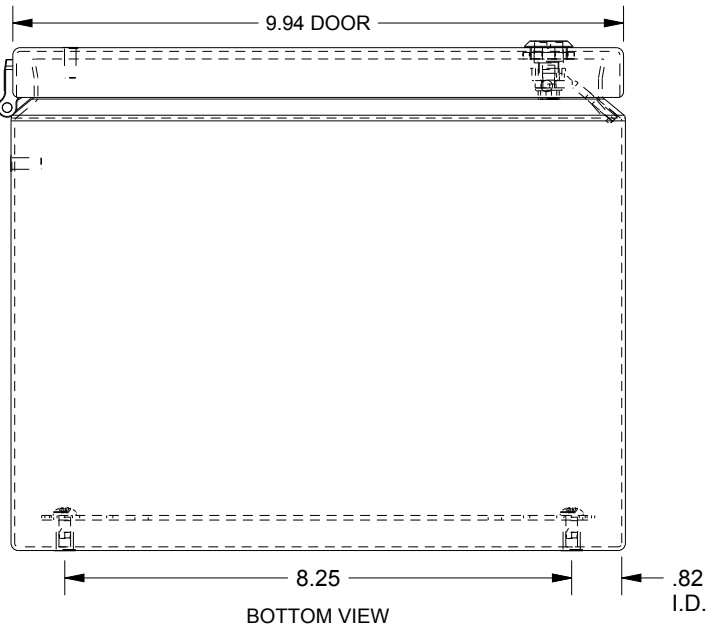
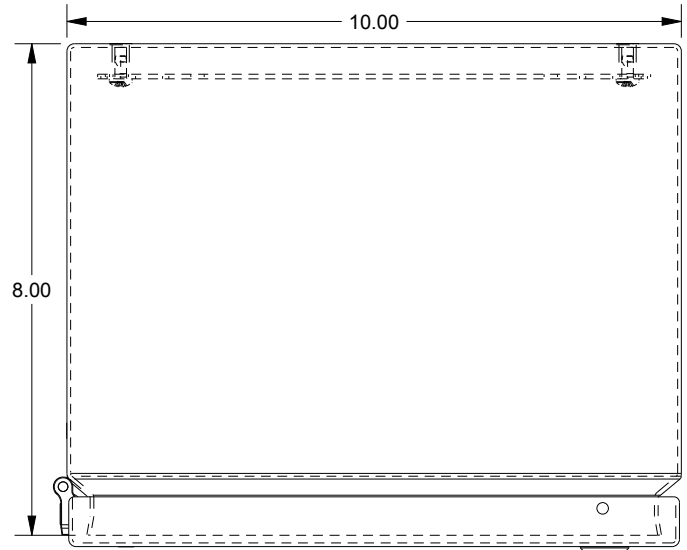


# SAGINAW CONTROL & ENGINEERING

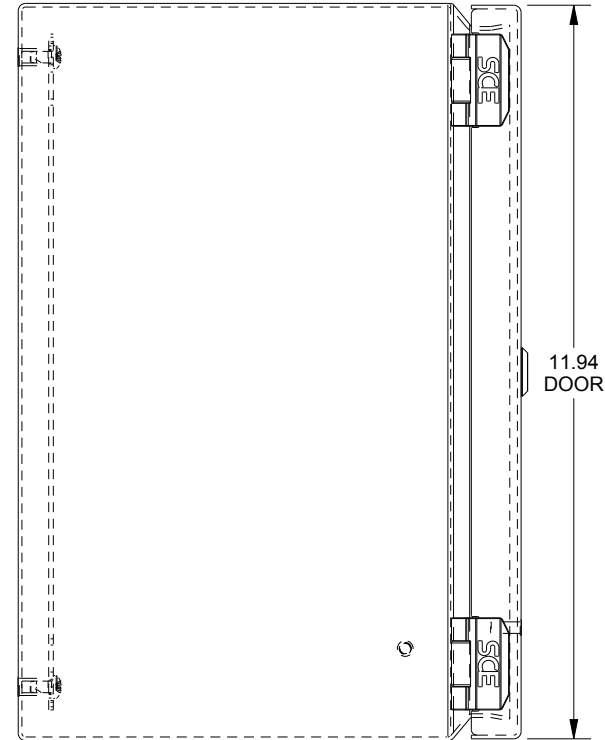
## SCE-12108ELJ



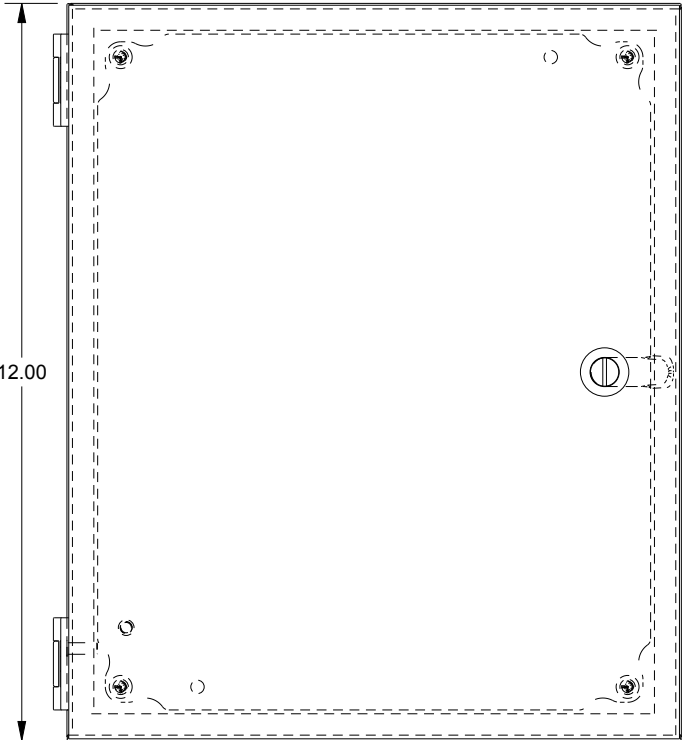
BOTTOM VIEW



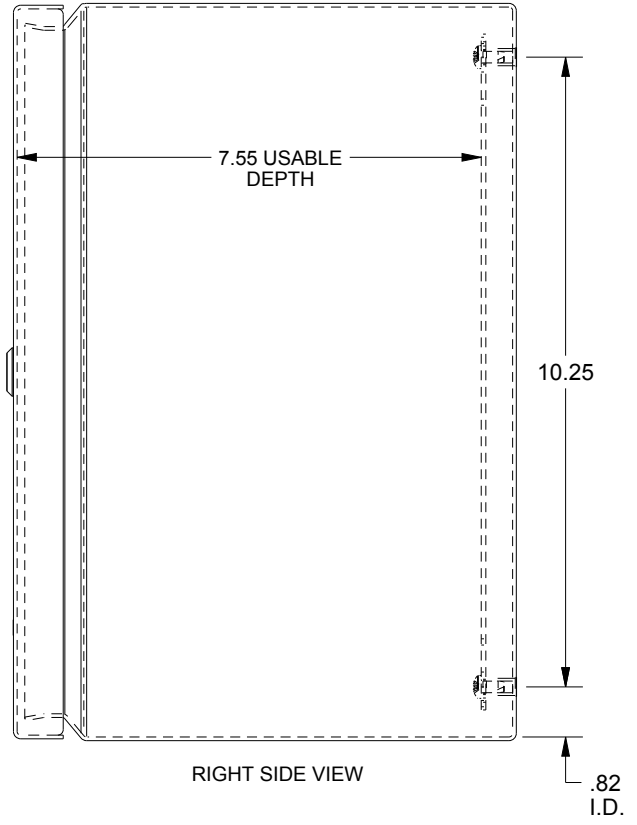
TOP VIEW



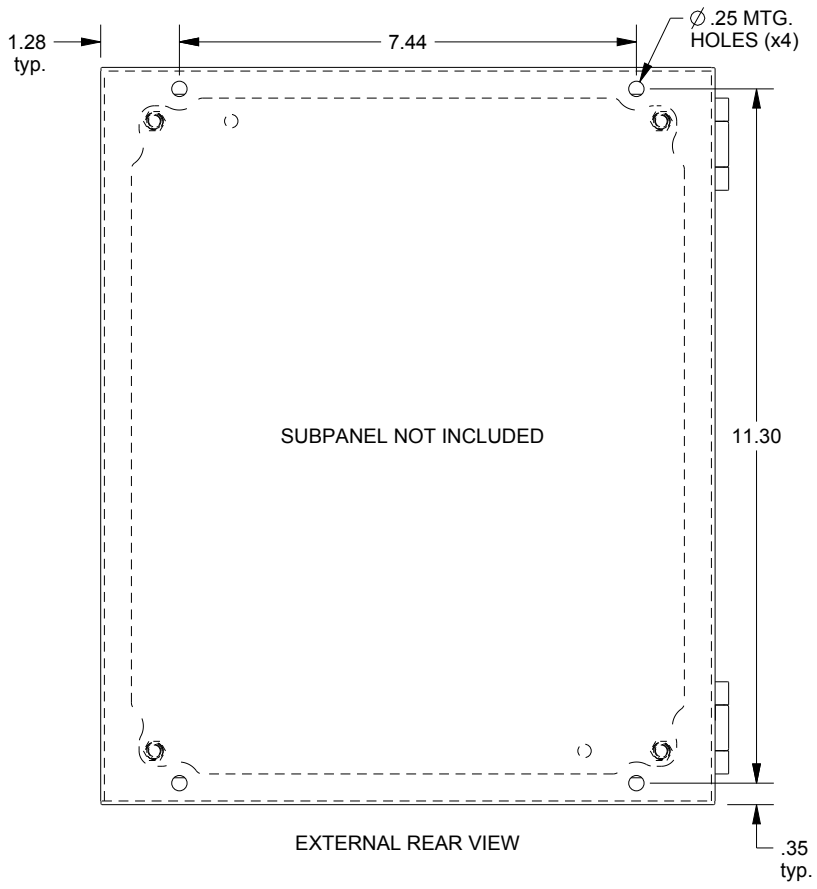
LEFT SIDE VIEW



FRONT VIEW



RIGHT SIDE VIEW



EXTERNAL REAR VIEW