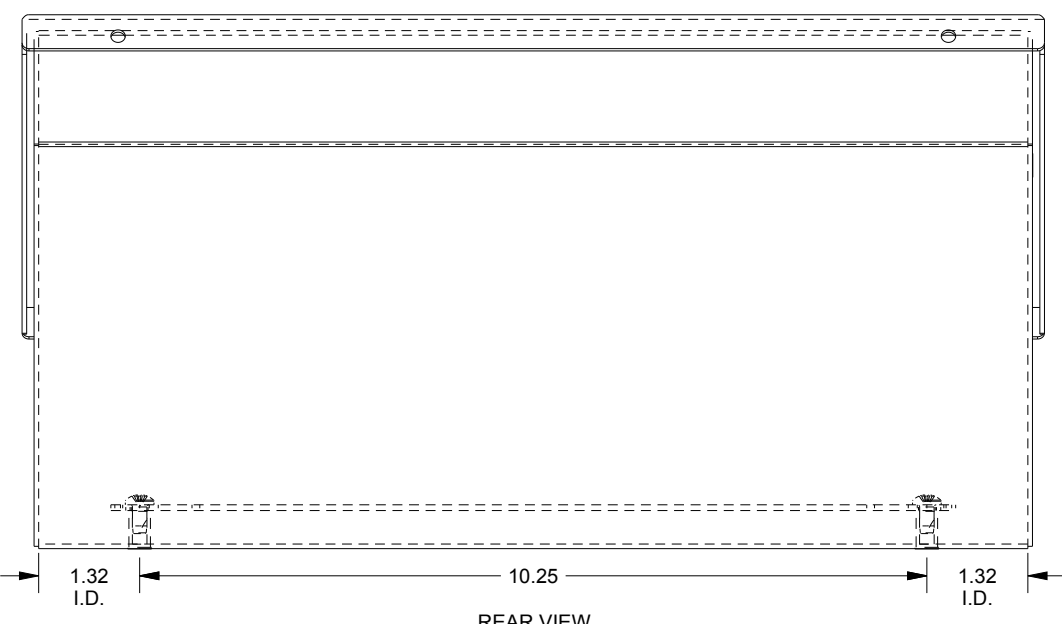
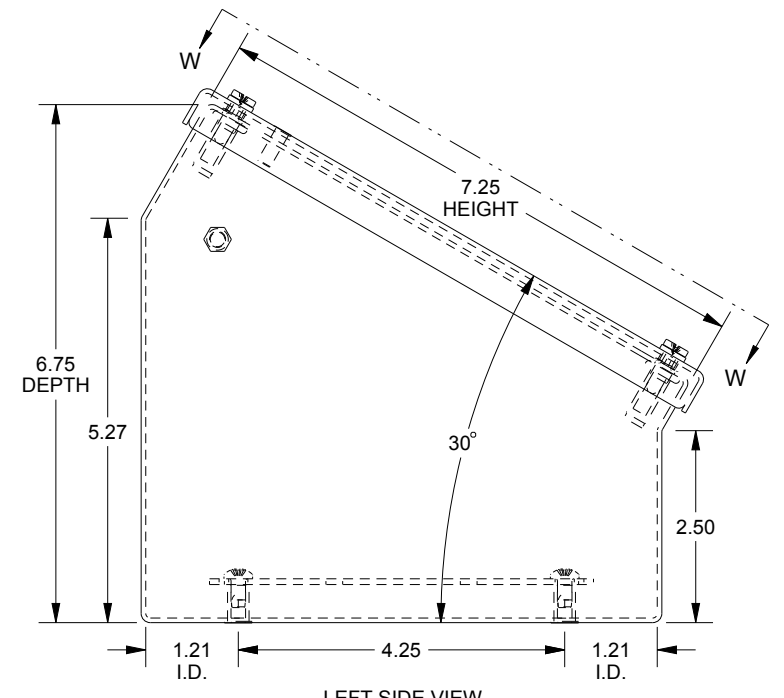


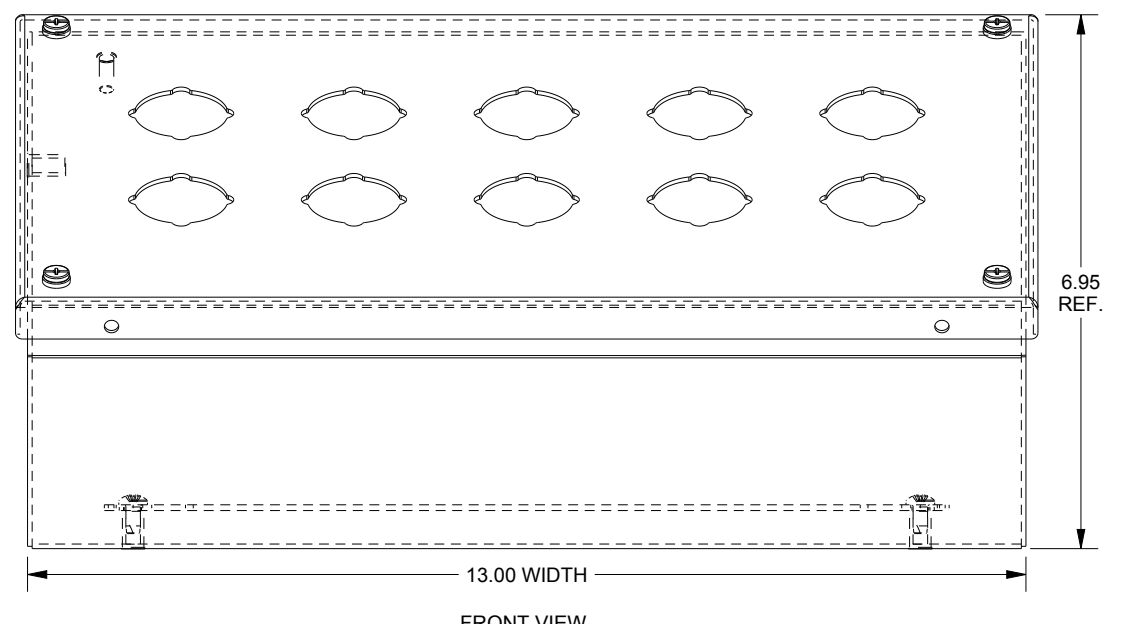
SAGINAW CONTROL & ENGINEERING SCE-10PBA



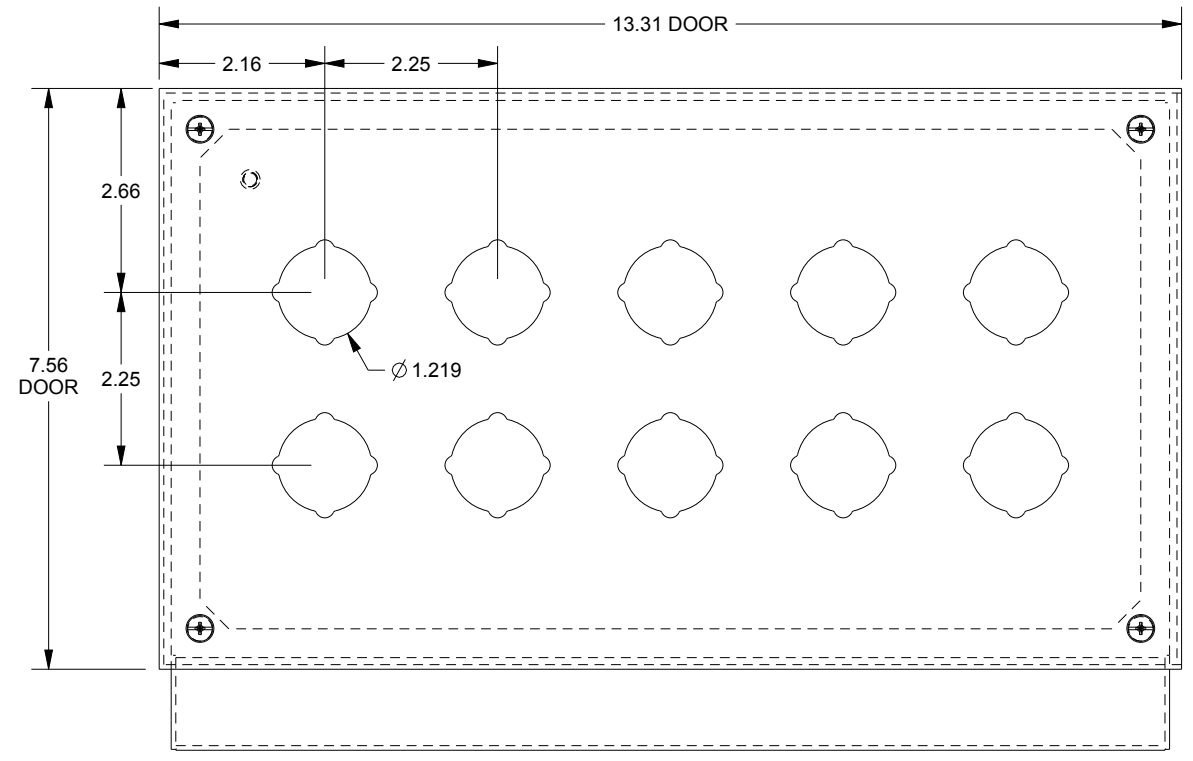
REAR VIEW



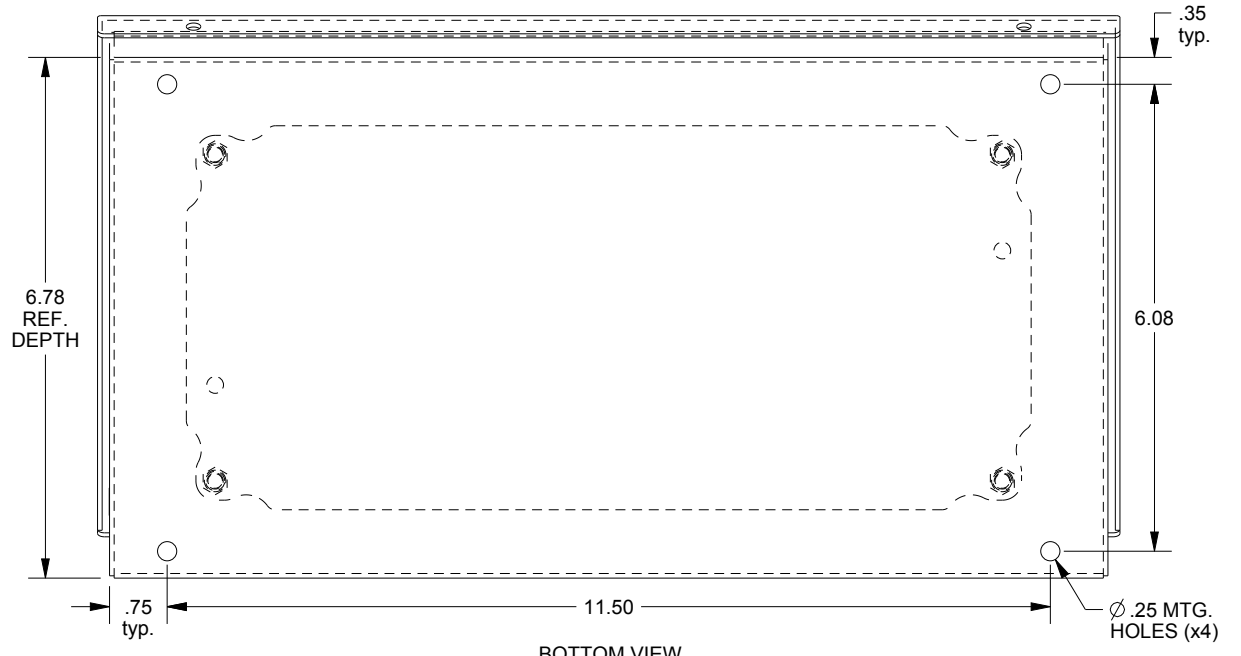
LEFT SIDE VIEW



FRONT VIEW



SECTION W-W



BOTTOM VIEW