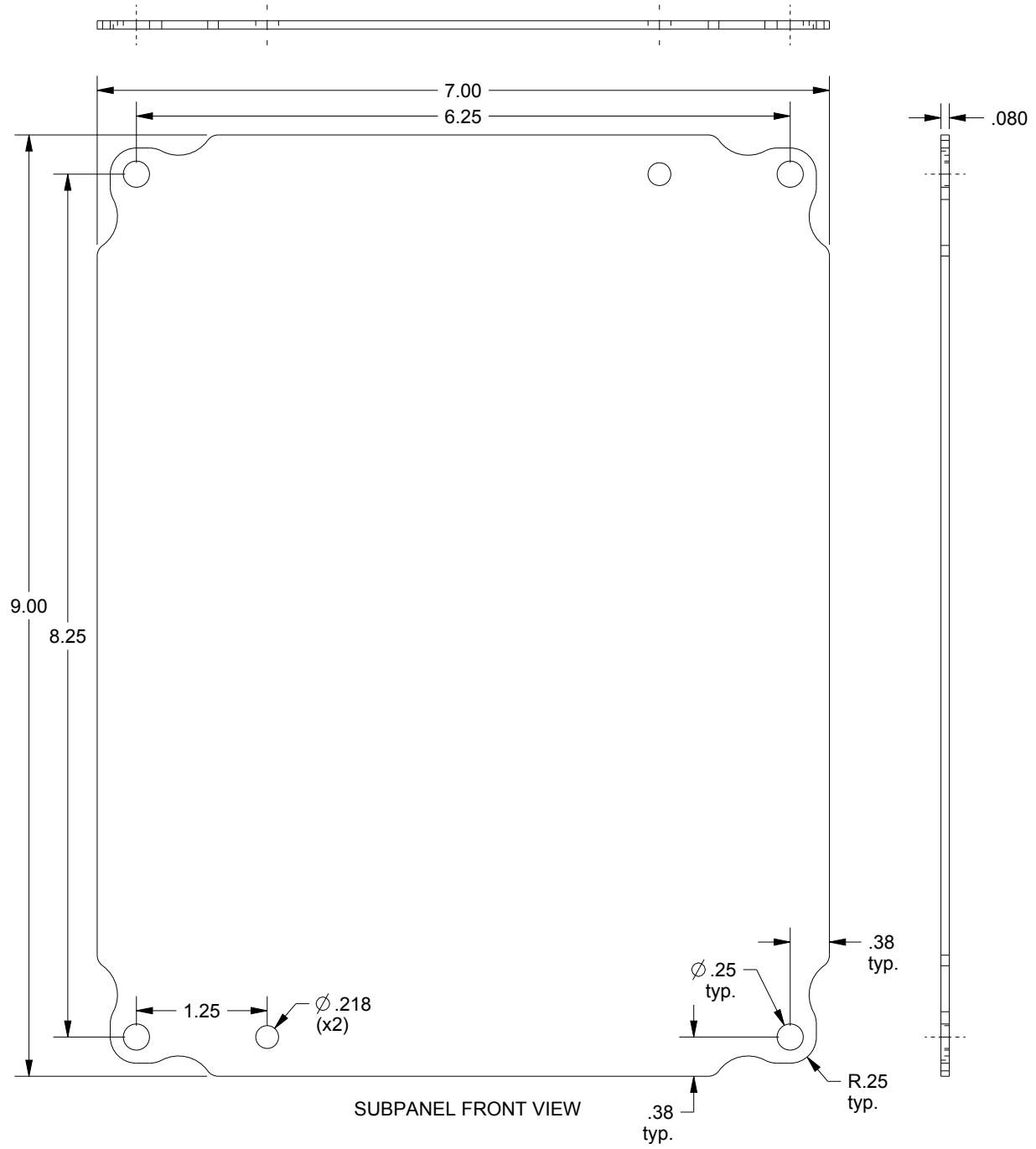


# SAGINAW CONTROL & ENGINEERING

## SCE-10P8AL



SUBPANEL FRONT VIEW