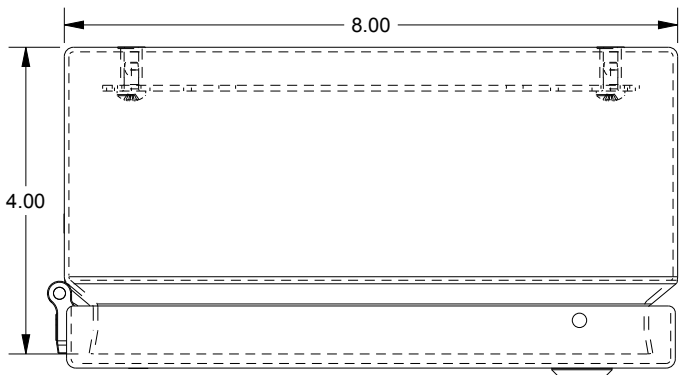
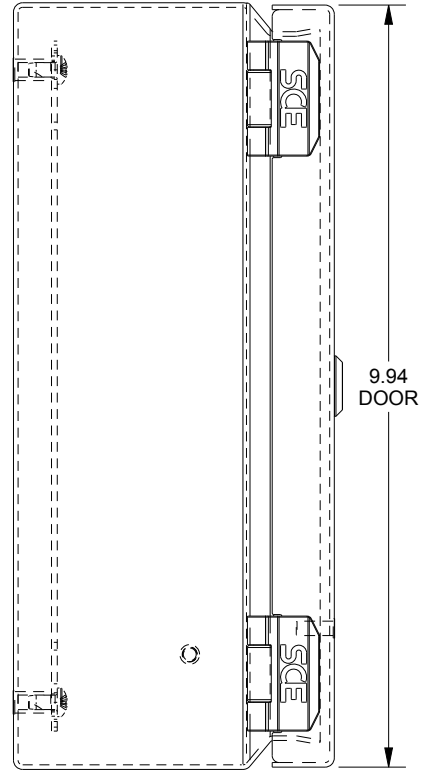


# SAGINAW CONTROL & ENGINEERING

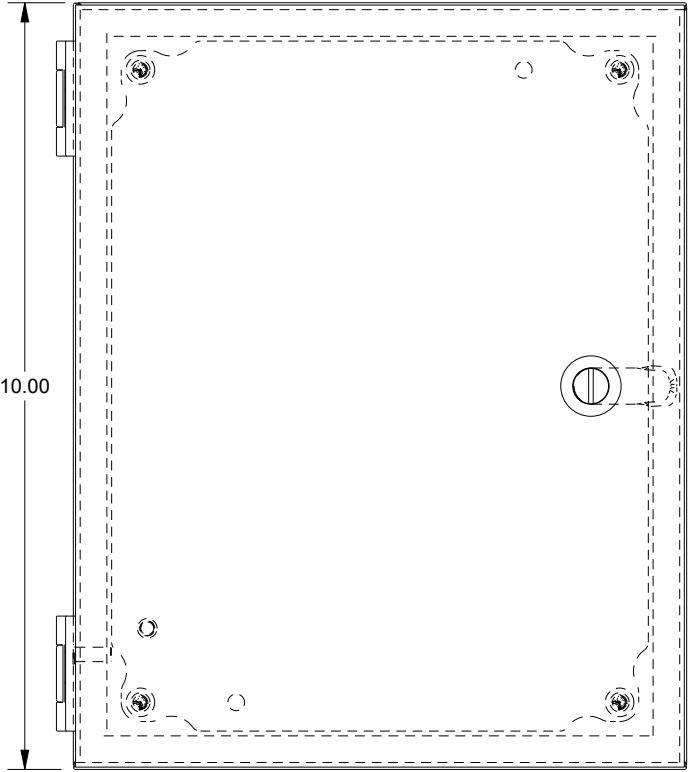
SCE-1008ELJ = SCE-09 GRAY  
 SCE-1008ELJLG = RAL 7035



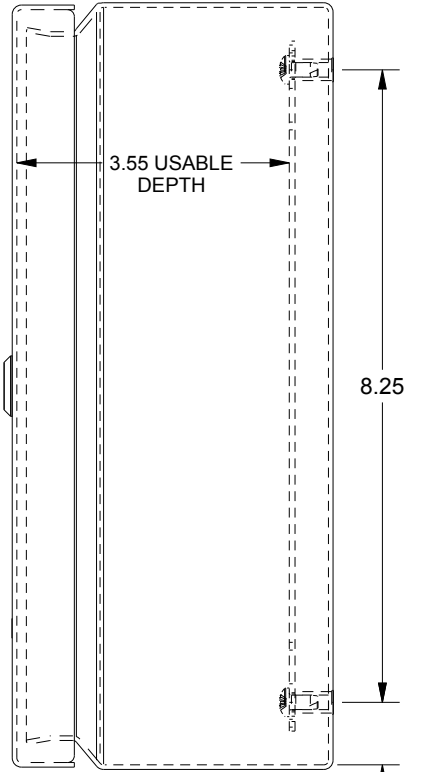
TOP VIEW



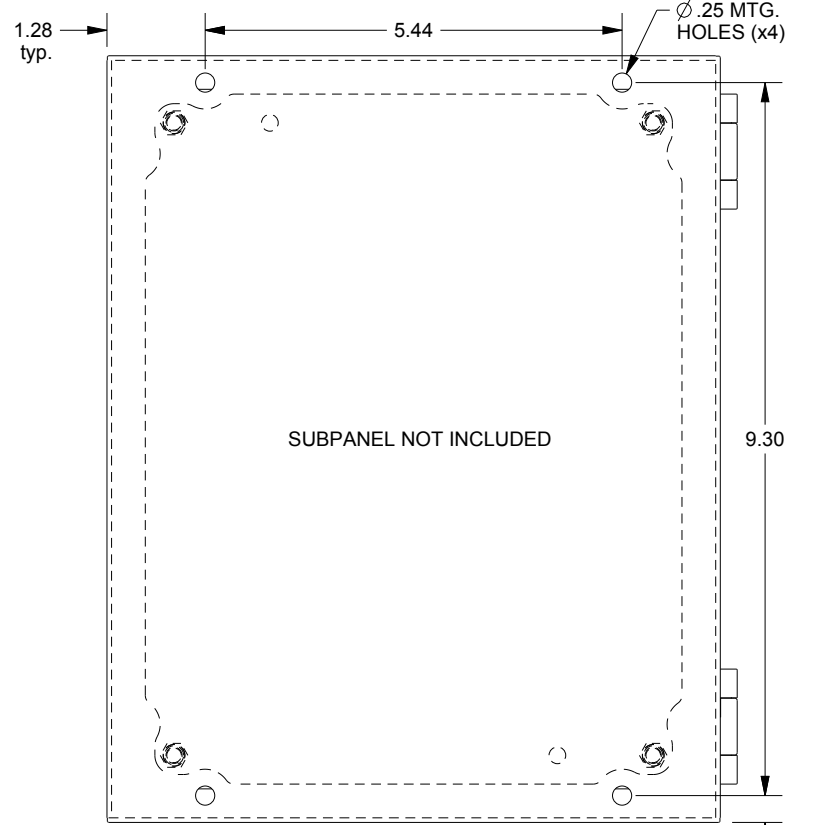
LEFT SIDE VIEW



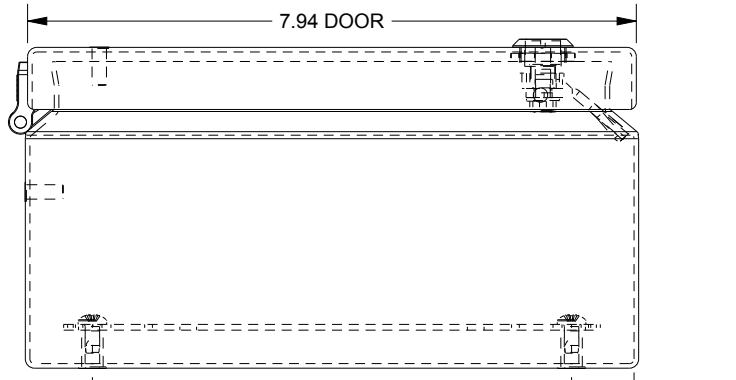
FRONT VIEW



RIGHT SIDE VIEW



EXTERNAL REAR VIEW



BOTTOM VIEW

.82 I.D.