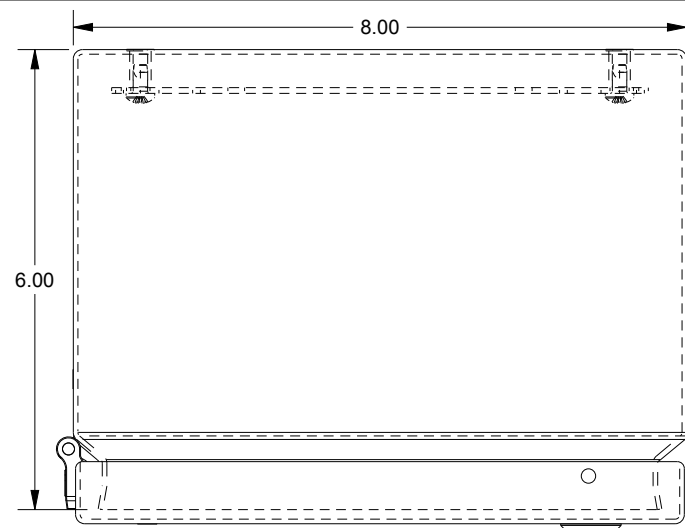
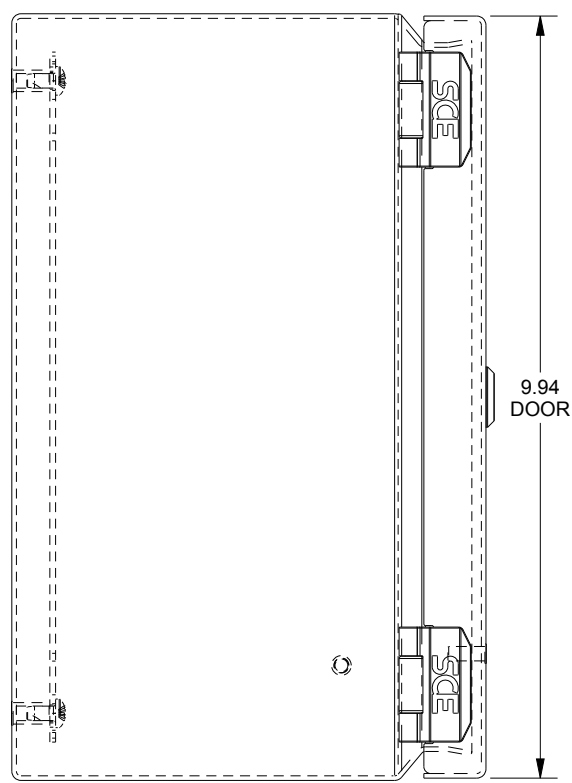


# SAGINAW CONTROL & ENGINEERING

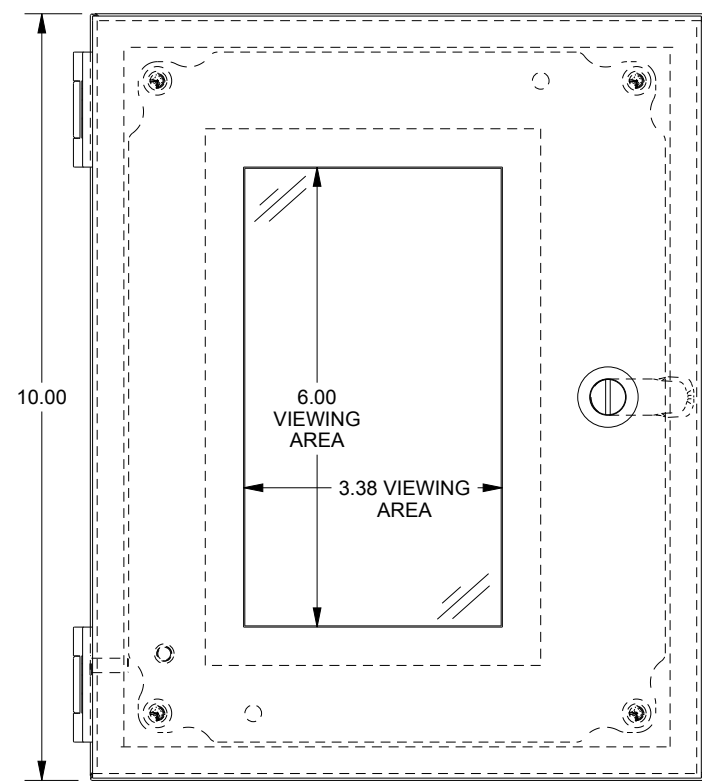
## SCE-10086ELJW



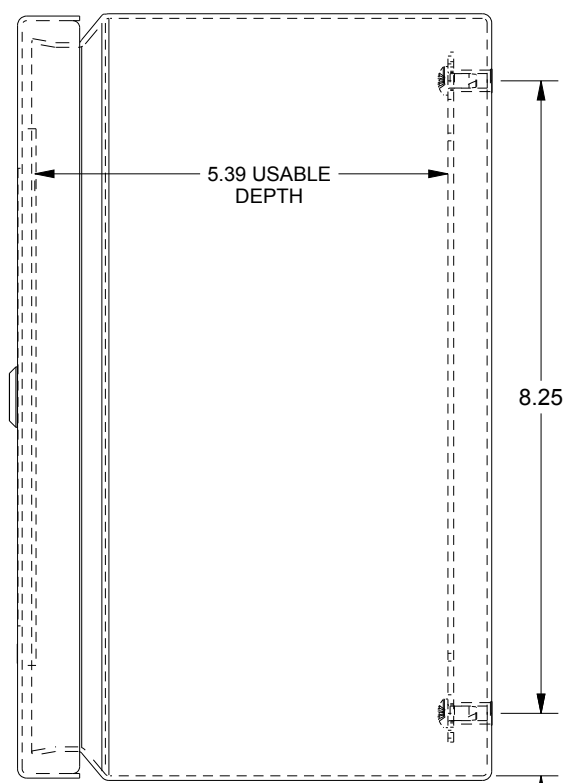
TOP VIEW



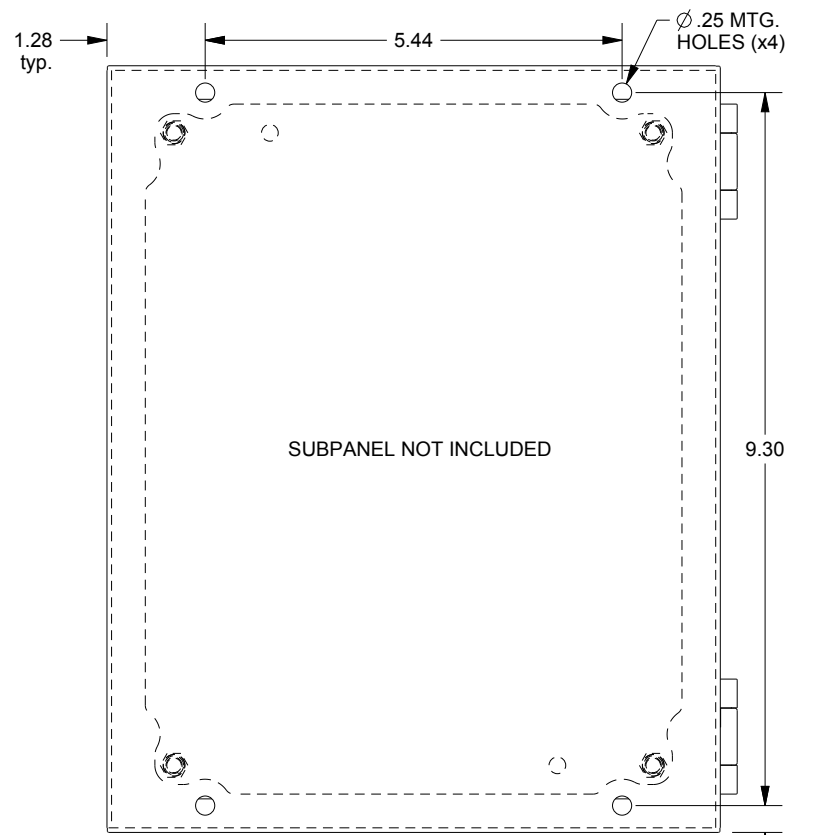
LEFT SIDE VIEW



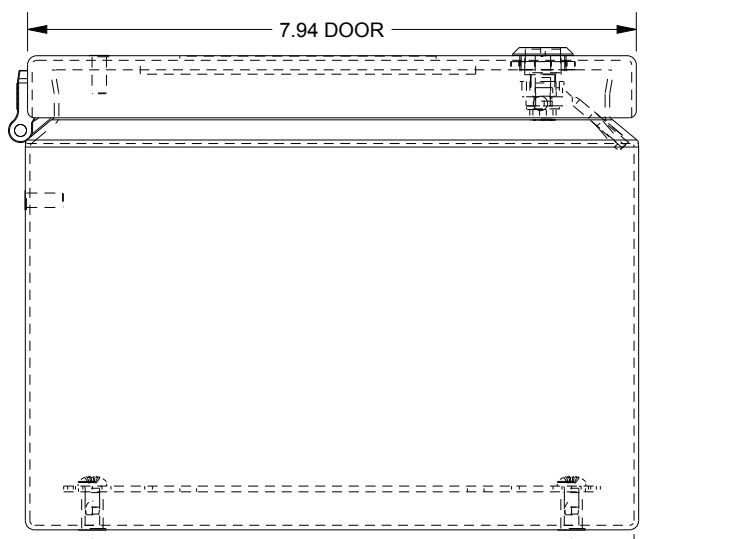
FRONT VIEW



RIGHT SIDE VIEW



EXTERNAL REAR VIEW



BOTTOM VIEW

.82 I.D.

.82 I.D.

.35 typ.