

PYRA FLASHING LIGHT SOUNDERS 15 JOULE PY X-LA-15



Powerful flashing light sounder combination with 15 J in an extreme robust enclosure for any outdoor and indoor application with IP 66 and IK08.

- The sounder with 102 dB(A) is supporting the visual signal; both signals could be controlled separately.
- Huge visual 3D-Coverage area, more as double as a 10 J flashing light.
- Easy and safe installation design for failure free mounting in shortest time.
- Approvals: EAC and UL certified for any markets.
- Selectable flash frequency and synchronised flash, one fits all and avoiding of epilepsy.
- 8 tones are selectable and sound level is reducible by -25 dB for adaption to any industry and environment.



protection system



impact-proof housing



operating temperature



DC version



pending



warranty



PRODUCT PY X-LA-15

PRODUCT		PY X-LA-15			
DATA					
Rated voltage		230 V	115 V	24 V	24 V
		AC 50 60 Hz			DC
Operating range		187–255 V	90–135 V	21.6–26.4 V	19.2–28.8 V
Nominal current consumption	flashing light	150 mA @ 1 Hz	300 mA @ 1 Hz	890 mA @ 1 Hz	540 mA @ 1 Hz
	sounder	15 mA @ 1 Hz	15 mA @ 1 Hz	40 mA @ 1 Hz	20 mA @ 1 Hz
Nom. sound level		102 dB(A) @ 1 m			
Volume control		max. -25 dB			
Tones		8			
Flash energy and flash rate		15 J @ 0,1 0,5 0,75 1 Hz			
Light source		xenon flash tube			
Light intensity (DIN 5037) ¹		190 cd			
Max. viewing distance		320 m			
Operating temperature		-40 °C ... +55 °C			
Storage temperature		-40 °C ... +70 °C			
Relative humidity		max. 90 %			
Degrees of protection		IP 66 (EN 60529) / NEMA 4/4X			
Impact resistance as per EN 50102		IK08			
Protection class		II			
Service life of light source		light emission still 70 % after 8,000,000 flashes			
Material	housing	PC/ABS, RAL 3000 ● PC/ABS, RAL 7035 ●			
	lens	/ ● ● ● ● ● ● polycarbonate (PC)			
Cable entry		4x M20 (prepared)			
Sealing range of diaphragm nipple		7–13 mm, with the use of cable diameters <7 mm, a cable screw joint with sufficient ingress protection must be provided			
Connecting terminal		0,14–2,5mm ² fine wire / AWG 24 – AWG 14 (stranded)			
Weight (net)		900 g		870 g	

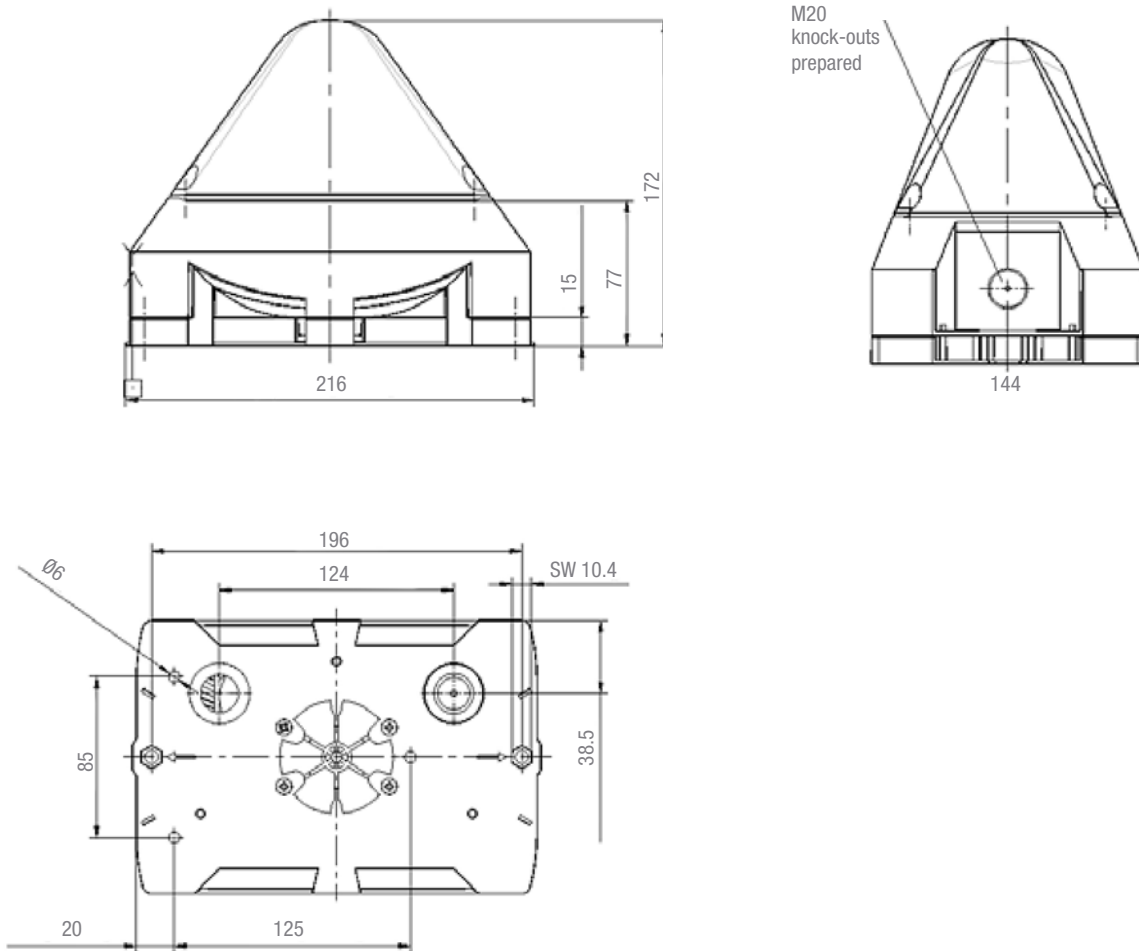
¹ with a clear lens

OPTIONS/ACCESSORIES



DIMENSIONS

PY X-LA-15



ARTICLE NO.		PY X-LA-15	
HOUSING COLOUR	LENS COLOUR	230 V AC	24 V DC
●	∕		
●	●	21565103000	21565803000
●	●	21565104000	21565804000
●	●	21565105000	21565805000
●	∕		
●	●	21565103055	21565803055
●	●	21565104055	21565804055
●	●	21565105055	21565805055

Article numbers for other colours and voltages on request.

CONFORMITY TO STANDARDS

The visual characteristics of flashing lights conform to the European standard DIN EN 842; “**Machine safety – visual alarm signals**”.

Requirements contained in the DIN EN 981 standard; “**Machine safety – system of acoustic and visual alarm and information signals**”, can be fulfilled.

The colours “red” for the emergency signal and “yellow” for the warning signal conform to the requirements of IEC 73 / DIN EN 60073 / VDE 0199; “**Coding of display devices and control elements using colours and supplementary means**”.

References to visual alarm devices can be found in the following standards:

- EN 60825-1 Radiation safety of laser devices, identical to IEC 825 and DIN-VDE 0837
- DIN EN 54 Fire alarm systems
- DIN 54113-2 Radiation protection regulations for the technical operation of X-ray equipment up to 500 kV