

# PF 22.000 | PFA 20.000

## ECOOL FILTERFAN | EXHAUST FILTER 56–70 m<sup>3</sup>/h

- installation size 2, air flow rate up to 70 m<sup>3</sup>/h
- system of protection IP 54 and IP 55, NEMA type 12
- UL, cUL approval
- UV-resistance (IP 55 version)
- cut-out compatible with installation size 2 from the 3rd Generation
- exhaust filters also available in 42 piece packaging for faster assembly



PRODUCT		PF 22.000					Unit
ARTICLE NO.	IP 54	11622101055	11622151055	11622851055	11622801055	11622701055	
ARTICLE NO.	IP 55	11622103055	11622153055	11622853055	11622803055	11622703055	

DATA								
Rated voltage ±10 %	AC 50   60 Hz			DC			V	
	230	115	12	24	48			
Unimpeded airflow	IP 54	61   70		61			m <sup>3</sup> /h	
	IP 55	56   64		56				
Airflow rate in comb. with exhaust filter	IP 54	44   50		44				
	IP 55	40   46		40				
Power consumption	19   18		20   20		5		W	
Current consumption	0.12   0.18		0.24   0.23		0.42	0.21	0.1	A
Noise level according to EN ISO 3741	44   44			44			dB (A)	
Weight	0.7			0.44			kg	
Type of connection	terminal strip			cable, 2-core, length 310 mm				
Fuse	6						A	
System of protection according to EN 60529 / UL 50	IP 54	NEMA type 12 - standard filter						
	IP 55	NEMA type 12 - fluted filter						
Filtration efficiency	IP 54	88					%	
	IP 55	91						
Filter mat quality class according to EN 779	IP 54	G 4						
	IP 55	G 4						
Duty cycle	100						%	
Bearing type	sleeve bearing			ball bearing				
Service life L <sub>10</sub> (+ 40 °C) <sup>1</sup>	37500	40000		62500			h	
Temperature range	-40 ... +55   -40 ... +131						°C   °F	
Design (housing and protection against accidental contact)	IP 54	made of injection-moulded thermoplastic, self-extinguishing, UL 94 V0						
	IP 55	additional: UV-resistant						
Colour	RAL 7035   different colours available on request							

ACCESSORIES		ARTICLE NUMBER	
Exhaust filter	gray	1 piece 11720001055	42 piece assembly packaging 11720001411
Exhaust filter	black	1 piece 11720001050	
Spare filter mats	5 pieces	IP54: 18611600030; IP55: 18611600034	
Thermostat		17121000000	
Hygrostat		17207000000	
Rainhood in stainless steel		18102000014	

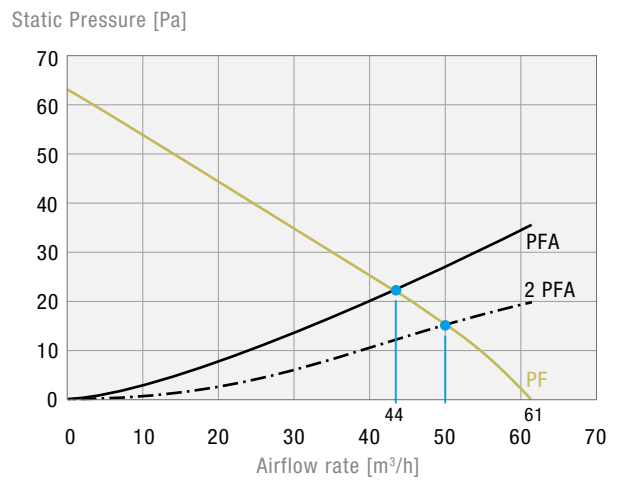
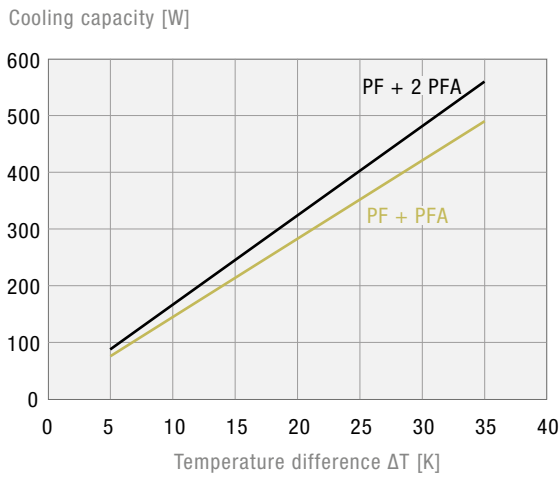
For additional models, options and voltages visit [www.pfannenberg.com](http://www.pfannenberg.com) or contact us directly.

<sup>1</sup> fan failure is defined as being when the current and speed deviate or the operating noises are out of the ordinary

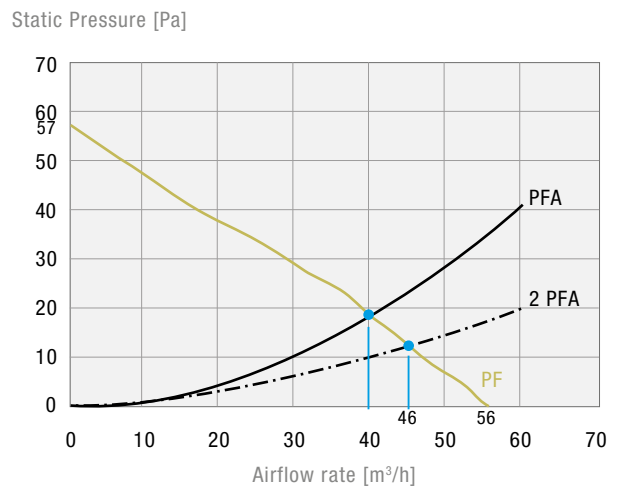
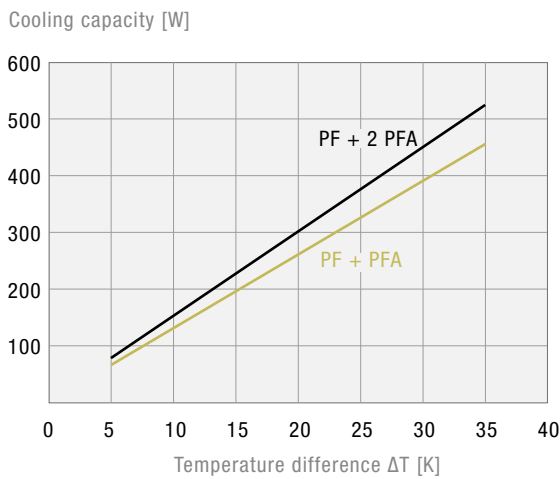
**Cooling capacity performance curves**

**Static pressure performance curve**

**PF 22.000 IP 54**

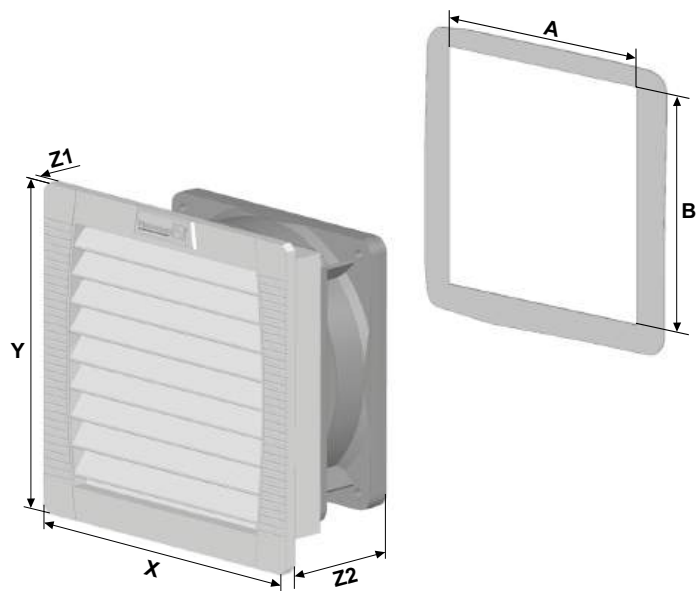


**PF 22.000 IP 55**



**Dimensions**

mm	PF 22.000		PFA 20.000
	AC	DC	
<b>X</b>	145	145	145
<b>Y</b>	145	145	145
<b>Z1</b>	5	5	5
<b>Z2</b>	70	64	26
<b>A<sup>1</sup></b>	125	125	125
<b>B<sup>1</sup></b>	125	125	125



<sup>1</sup> for material thicknesses up to 2 mm  
+ 1 mm for thickness of material > 2 mm ≤ 3 mm