

COMPACT SINGLE PHASE POWER SUPPLIES



 **Lovato**
electric

ENERGY AND AUTOMATION

COMPACT SINGLE PHASE POWER SUPPLIES

Compact DIN rail mount version



Order code	Rated output voltage [VDC]	Rated output current [A]	Output power [W]	Q.ty per pkg n°	Wt [kg]
Single phase power supply 100...240VAC.					
PSE103024	24VDC	1.25	30	1	0.140
PSE105024		2.1	50	1	0.200
PSE107224		3	72	1	0.250
PSE110024		4.2	100	1	0.350
PSE112024		5	120	1	0.610

General characteristics

The PSE1... single phase power supplies have compact dimensions and are DIN rail mountable. They are used to supply electromechanical and electronic devices with DC control, such as contactors, time relays, sensors, PLCs, DC motors, displays, SSRs and other equipment normally found in automation systems.

Protections:

- Short circuit
- Overload
- Input voltage peaks.

Indications:

- LED indicator for power on.

Operational characteristics

- Rated supply voltage: 100...240VAC
- Rated output voltage: 24VDC
- Mains frequency: 50/60Hz
- Output voltage adjustment by front potentiometer
- High efficiency up to 89%
- 35mm DIN rail (IEC/EN/BS 60715) mounting
- Screw connection terminals
- IEC degree of protection: IP20 on terminals.

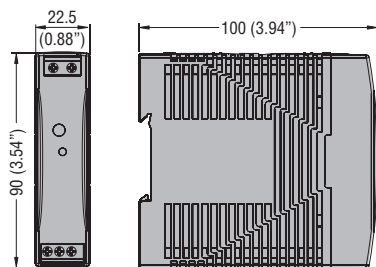
Certifications and Compliance

Certifications obtained: cULus (pending for PSE112024), EAC, RCM.

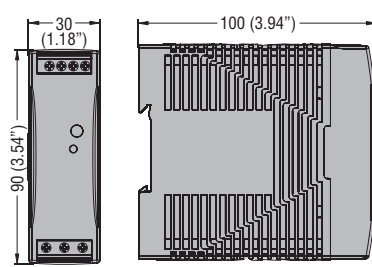
Compliant with standards: IEC/EN/BS 62368-1, IEC/EN/BS 61000-6-2, IEC/EN/BS 61000-6-3, UL508, CSA C22.2 No. 107.1.

Dimensions [mm (in)]

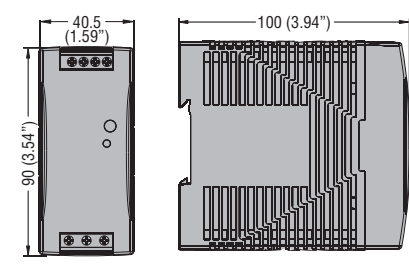
PSE103024



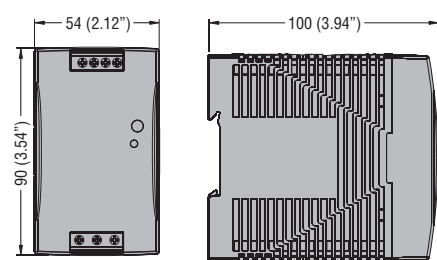
PSE105024



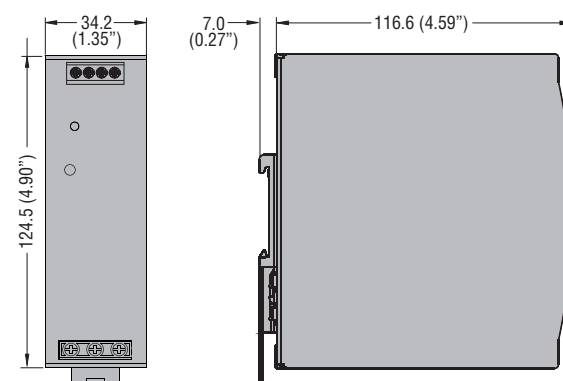
PSE107224



PSE110024



PSE112024

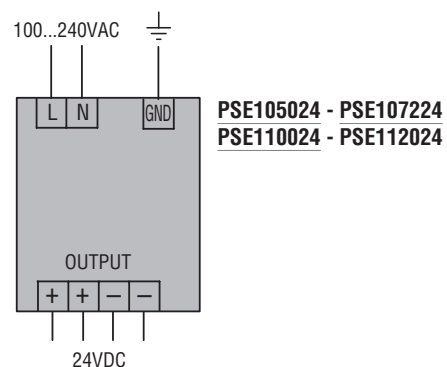
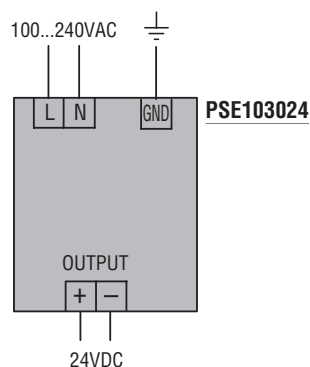


Technical characteristics

	PSE103024	PSE105024	PSE107224	PSE110024	PSE112024
INPUT CHARACTERISTICS					
Rated supply voltage	Single phase, multivoltage 100...240VAC				
Operating range	85...264VAC / 120...375VDC				
Current consumption (max)	0.75A	1.3A	1.7A	2.3A	2.9A
Frequency range	50/60Hz (47...63Hz)				
Insulation voltage input/output	3000VAC (4242VDC)				
Internal fuse 250VAC 1	T2A	T2A	T3,15A	T3,15A	T4A
OUTPUT CHARACTERISTICS					
Rated output voltage	24VDC				
Voltage trimming (potentiometer)	22.5...28.5VDC				
Rated output current	1.25A	2.1A	3A	4.2A	5A
Temperature coefficient	±0.03%/°C				
Line adjustment	±1%				
Load adjustment	±1%				
Efficiency	Up to 86%	Up to 87%	Up to 89%	Up to 88%	Up to 89%
Overload protection	140%				
Short-circuit protection	Hiccup				
Ripple & noise	100mV				
INDICATIONS					
LED indicator for power on	Yes				
AMBIENT CONDITIONS					
Operating temperature	-25...+71°C				
Derating of the output power	from +51°C (+46°C for PSE110024) to +71°C by 2.5%/°C				
Storage temperature	-40...+85°C				
HOUSING					
Material	Plastic				Metal
Mounting	35mm DIN rail (IEC/EN/BS 60715)				
Protection degree	IP20				

1 Not replaceable by the user

Wiring diagrams





ENERGY AND AUTOMATION

www.LovatoElectric.com

LOVATO ELECTRIC S.P. A.

via Don E. Mazza, 12
24020 Gorle (Bergamo), ITALY

tel +39 035 4282111
info@LovatoElectric.com



- **LOVATO ELECTRIC S.P.A.**
ITALY
www.LovatoElectric.com
- **LOVATO ELECTRIC LTD**
UNITED KINGDOM
www.Lovato.co.uk
- **LOVATO ELECTRIC CORPORATION**
CANADA
www.Lovato.ca
- **LOVATO ELECTRIC INC**
UNITED STATES
www.LovatoUsa.com
- **LOVATO ELECTRIC GmbH**
GERMANY
www.LovatoElectric.de
- **LOVATO ELECTRIC S.L.U**
SPAIN
www.LovatoElectric.es
- **LOVATO ELECTRIC. S.R.O.**
CZECH REPUBLIC
www.LovatoElectric.cz
- **LOVATO ELECTRIC SP. Z O.O.**
POLAND
www.LovatoElectric.pl
- **LOVATO ELEKTRIK LTD**
TURKEY
www.LovatoElectric.com.tr
- **LOVATO ELECTRIC ME FZE**
UNITED ARAB EMIRATES
www.LovatoElectric.ae
- **ООО Ловато Электрик**
RUSSIA
www.LovatoElectric.ru
- **LOVATO ELECTRIC CO LTD**
CHINA
www.LovatoElectric.cn
- **LOVATO ELECTRIC SRL**
ROMANIA
www.LovatoElectric.ro
- **LOVATO ELECTRIC SAS**
FRANCE
www.LovatoElectric.fr
- **LOVATO ELECTRIC AG**
SWITZERLAND
www.LovatoElectric.ch