



- Modular version for modular-slot switchboards, also suitable for rear mounting plate fixing
- Minimum and maximum voltage monitoring relays for single and three-phase systems, with or without neutral
- Voltage asymmetry, phase sequence and phase loss control relays
- Multifunction voltage and frequency monitoring relays with NFC technology and APP
- Frequency monitoring relays
- Minimum and maximum current monitoring relays
- Interface protection system units compliant with Italian standards CEI 0-21, CEI 0-16, DEWA DRRG and G59.

	SEC. - PAGE
Voltage monitoring relays	
For three-phase systems, without neutral	18 - 4
For three-phase systems, with or without neutral	18 - 6
For single-phase systems	18 - 7
Multifunction voltage and frequency monitoring relays, programmable via NFC technology and APP	18 - 8
Frequency monitoring relays	18 - 8
Current monitoring relays	
For single systems	18 - 9
For single and three-phase systems	18 - 10
Pump protection relays	18 - 11
Interface protection system units	18 - 12
Dimensions	18 - 19
Wiring diagrams	18 - 20
Technical characteristics	18 - 24



Pages 18-4 to 7

VOLTAGE MONITORING RELAYS

- For three-phase systems with or without neutral and single-phase systems
- Minimum and maximum AC voltage
- Phase loss and incorrect phase sequence
- Asymmetry
- Minimum and maximum frequency.



Page 18-8

MULTIFUNCTION VOLTAGE AND FREQUENCY MONITORING RELAYS

- Voltage and frequency monitoring relays for three-phase systems with or without neutral
- Programmable via NFC technology and APP
- Minimum and maximum AC voltage
- Phase loss, neutral loss and incorrect phase sequence
- Asymmetry
- Minimum and maximum frequency.



Page 18-8

FREQUENCY MONITORING RELAYS

- For single and three-phase systems
- Minimum frequency
- Maximum frequency.



Pages 18-9 and 10

CURRENT MONITORING RELAYS

- For single and three-phase systems
- Maximum AC/DC current
- Minimum or maximum AC/DC current
- Minimum and maximum AC/DC current.



Page 18-11

PUMP PROTECTION RELAYS

- For single and three-phase systems
- Minimum $\cos\phi$ for dry running protection
- Maximum AC current
- Phase loss and incorrect phase sequence.



Page 18-12

INTERFACE PROTECTION SYSTEM UNITS

- Compliant with Italian standard CEI 0-21, for low voltage
- Compliant with Italian standard CEI 0-16, for medium voltage
- Compliant with standard SHAMS DUBAI - DRRG (DEWA)
- Compliant with technical guide G59 (ENA).

Voltage monitoring relays for three-phase systems without neutral



	PMV10	PMV20	PMV30	PMV40	PMV50	PMV70
Modular version	●(1U)	●(2U)	●(2U)	●(2U)	●(2U)	●(2U)
Minimum AC voltage			●		●	●
Maximum AC voltage					●	●
Phase loss	●	●	●	●	●	●
Incorrect phase sequence	●	●	●	●	●	●
Asymmetry				●		●
Page		18-4			18-5	18-5

Voltage monitoring relays for three-phase systems with or without neutral



	PMV50N	PMV70N	PMV80N	PMV95N
Modular version	●(3U)	●(3U)	●(3U)	●(2U)
Minimum AC voltage	●	●	●	●
Maximum AC voltage	●	●	●	●
Phase loss	●	●	●	●
Neutral loss	●	●	●	●
Incorrect phase sequence	●	●	●	●
Asymmetry		●		●
Minimum frequency			●	●
Maximum frequency			●	●
Programmable via NFC technology and APP				●
Page	18-6	18-6	18-7	18-8

Voltage monitoring relay for single-phase systems



	PMV55
Modular version	●(2U)
Minimum AC voltage	●
Maximum AC voltage	●
Page	18-7

Frequency monitoring relays for single-phase and three-phase systems



	PMF20
Modular version	●(2U)
Minimum frequency	●
Maximum frequency	●
Page	18-8

Current monitoring relays for single and three-phase systems



	PMA20	PMA30	PMA40
Modular version	●(2U)	●(2U)	●(3U)
Maximum AC/DC current	●		
Minimum or maximum AC/DC current		●	
Minimum and maximum AC/DC current			●
Page	18-9		18-10

Pump protection relay for single and three-phase systems



	PMA50
Modular version	●(3U)
Minimum cosφ for dry running pump protection	●
Maximum AC current	●
Phase loss	●
Incorrect phase sequence	●
Page	18-11

Interface protection system units



	PMVF20	PMVF30	PMVF51	PMVF60	PMVF70
CEI 0-21	●		●		
CEI 0-16		●			
DEWA DRRG				●	
G59					●
Page	18-12	18-14	18-13	18-15	18-16

For three-phase systems, without neutral



PMV10 A440

Order code	Rated voltage to control U _e (phase to phase)	Qty per pkg	Wt
	[V] 50/60Hz	n°	[kg]

Three-phase system, without neutral.
Phase loss and incorrect phase sequence. Instantaneous trip.
1 module housing.

PMV10 A440	208...480VAC	1	0.050
PMV20 A240	100...240VAC	1	0.120
PMV20 A575	208...575VAC	1	0.120
PMV20 A600	380...600VAC	1	0.120

2 modules housing.



PMV20...

Order code	Rated voltage to control U _e (phase to phase)	Qty per pkg	Wt
	[V] 50/60Hz	n°	[kg]

Three-phase system, without neutral.
Minimum AC voltage. Delayed trip.
Phase loss and incorrect phase sequence. Instantaneous trip.

PMV30 A240	208...240VAC	1	0.130
PMV30 A575	380...575VAC	1	0.130
PMV30 A600	600VAC	1	0.130



PMV30...

Order code	Rated voltage to control U _e (phase-to-phase)	Qty per pkg	Wt
	[V] 50/60Hz	n°	[kg]

Three-phase system, without neutral.
Asymmetry. Delayed trip.
Phase loss and incorrect phase sequence. Instantaneous trip.

PMV40 A240	208...240VAC	1	0.130
PMV40 A575	380...575VAC	1	0.130
PMV40 A600	600VAC	1	0.130



PMV40...

General characteristics

- Voltage monitoring relay, self powered, for phase loss and incorrect phase sequence
- Phase loss detection if one of the voltages is <70% rated value
- Phase loss tripping time: 60ms
- 1 relay output with 1 changeover contact (SPDT)
- Modular DIN 43880 housing: 1 module for PMV10; 2 modules for PMV20
- IEC degree of protection: IP40 on front (only when placed in IP40 enclosure or control board); IP20 at terminals.

Certifications and compliance

Certifications obtained: EAC; UL Listed, for USA and Canada (cULus - File E93601) as Auxiliary Devices.
Compliant with standards: IEC/EN 60255-5, IEC/EN 61000-6-2, IEC/EN 61000-6-3, UL 508, CSA C22.2 n° 14.

General characteristics

- Voltage monitoring relay, self powered, for minimum voltage, phase loss and incorrect phase sequence
- Configurable rated voltage (U_e):
 - PMV30 A240: 208-220-230-240VAC
 - PMV30 A575: 380-400-415-440-460-480-525-575VAC
- Excellent tripping accuracy
- TRMS measurements (True Root Mean Square)
- Control of phase-to-phase voltages
- Phase loss detection if one of the voltages is <70% rated value
- Phase loss tripping time: 60ms
- 1 relay output with 1 changeover contact (SPDT)
- Modular DIN 43880 housing, 2 modules
- IEC degree of protection: IP40 on front (only when placed in IP40 enclosure or control board); IP20 at terminals.

ADJUSTMENTS

“V min”	Minimum voltage tripping threshold 80...95% U _e
“Delay”	Tripping time 0.1...20s
“Reset delay”	Resetting time 0.1...20s.

Certifications and compliance

Certifications obtained: EAC; UL Listed, for USA and Canada (cULus - File E93601), as Auxiliary Devices.
Compliant with standards: IEC/EN 60255-5, IEC/EN 61000-6-2, IEC/EN 61000-6-3, UL 508, CSA C22.2 n° 14.

General characteristics

- Voltage monitoring relay, self powered, for asymmetry, phase loss and incorrect phase sequence
- Excellent tripping accuracy
- TRMS measurements (True Root Mean Square)
- Control of phase-to-phase voltages
- Phase loss detection if one of the voltages is <70% rated value
- Phase loss tripping time: 60ms
- 1 relay output with 1 changeover contact (SPDT)
- Modular DIN 43880 housing, 2 modules
- IEC degree of protection: IP40 on front (only when placed in IP40 enclosure or control board); IP20 at terminals.

ADJUSTMENTS

“Asymmetry”	High voltage asymmetry tripping threshold 5...15% U _e
“Delay”	Tripping time 0.1...20s
“Reset delay”	Resetting time 0.1...20s.

Certifications and compliance

Certifications obtained: EAC; UL Listed, for USA and Canada (cULus - File E93601), as Auxiliary Devices.
Compliant with standards: IEC/EN 60255-5, IEC/EN 61000-6-2, IEC/EN 61000-6-3, UL 508, CSA C22.2 n° 14.

For three-phase systems, without neutral



PMV50...

Order code	Rated voltage to control Ue (phase-to-phase)	Qty per pkg	Wt
	[V] 50/60Hz	n°	[kg]

Three-phase system, without neutral.
Minimum and maximum AC voltage. Delayed trip.
Phase loss and incorrect phase sequence. Instantaneous trip.

PMV50 A240	208...240VAC	1	0.130
PMV50 A575	380...575VAC	1	0.130
PMV50 A600	600VAC	1	0.130

General characteristics

- Voltage monitoring relay, self powered, for minimum and maximum voltage, phase loss and incorrect phase sequence
- Configurable rated voltage (Ue):
 - PMV50 A240: 208-220-230-240VAC
 - PMV50 A575: 380-400-415-440-460-480-525-575VAC
- High tripping accuracy
- TRMS measurements (True Root Mean Square)
- Control of phase-to-phase voltages
- Phase loss detection if one of the voltages is <70% rated value
- Phase loss tripping time: 60ms
- 1 relay output with 1 changeover contact (SPDT)
- Modular DIN 43880 housing, 2 modules
- IEC degree of protection: IP40 on front (only when placed in IP40 enclosure or control board); IP20 on terminals.

ADJUSTMENTS

- "V max" Maximum voltage tripping threshold
105...115% Ue
- "V min" Minimum voltage tripping threshold
80...95% Ue
- "Delay" for each Tripping time 0.1...20s
- "Reset delay" Resetting time 0.1...20s.

Certifications and compliance

Certifications obtained: EAC; UL Listed, for USA and Canada (cULus - File E93601) as Auxiliary Devices.
Compliant to standards: IEC/EN 60255-5, IEC/EN 61000-6-2, IEC/EN 61000-6-3, UL 508, CSA C22.2 n° 14.



PMV70...

Order code	Rated voltage to control Ue (phase to phase)	Qty per pkg	Wt
	[V] 50/60Hz	n°	[kg]

Three-phase system, without neutral.
Minimum and maximum AC voltage and asymmetry.
Delayed trip.
Phase loss and incorrect phase sequence. Instantaneous trip.

PMV70 A240	208...240VAC	1	0.130
PMV70 A575	380...575VAC	1	0.130
PMV70 A600	600VAC	1	0.130

General characteristics

- Voltage monitoring relay, self powered, for minimum and maximum voltage, phase loss, incorrect phase sequence and asymmetry
- Configurable rated voltage (Ue):
 - PMV70 A240: 208-220-230-240VAC
 - PMV70 A575: 380-400-415-440-460-480-525-575VAC
- Excellent tripping accuracy
- TRMS measurements (True Root Mean Square)
- Control of phase-to-phase voltages
- Phase loss detection if one of the voltages is <70% rated value
- Phase loss tripping time: 60ms
- 1 relay output with 1 changeover contact (SPDT)
- Modular DIN 43880 housing, 2 modules
- IEC degree of protection: IP40 on front (only when placed in IP40 enclosure or control board); IP20 at terminals.

ADJUSTMENTS

- "V max" Maximum voltage tripping threshold
105...115% Ue
- "V min" Minimum voltage tripping threshold
80...95% Ue
- "Delay" for each Tripping delay 0.1...20s
- "Asymmetry" High voltage asymmetry tripping threshold
5...15% Ue.

Certifications and compliance

Certifications obtained: EAC; UL Listed, for USA and Canada (cULus - File E93601), as Auxiliary Devices.
Compliant with standards: IEC/EN 60255-5, IEC/EN 61000-6-2, IEC/EN 61000-6-3, UL 508, CSA C22.2 n° 14.

For three-phase systems with or without neutral



PMV50N...

Order code	Rated voltage to control Ue (phase to phase)	Qty per pkg	Wt
	[V] 50/60Hz	n°	[kg]
Three-phase system, with or without neutral. Minimum and maximum AC voltage. Delayed trip. Phase loss, neutral loss and incorrect phase sequence. Instantaneous trip.			
PMV50N A240	208...240VAC	1	0.200
PMV50N A440	380...440VAC	1	0.200
PMV50N A600	480...600VAC	1	0.200

General characteristics

- Voltage monitoring relay, self powered, for minimum and maximum voltage, phase loss, neutral loss and incorrect phase sequence
- 4 configurable rated voltage (Ue):
 - PMV50N A240: 208-220-230-240VAC (phase-phase) 120-127-132-138VAC (phase-neutral)
 - PMV50N A440: 380-400-415-440VAC (phase-phase) 220-230-240-254VAC (phase-neutral)
 - PMV50N A600: 480-525-575-600VAC (phase-phase) 277-303-332-347VAC (phase-neutral)
- Excellent tripping accuracy
- TRMS measurements (True Root Mean Square)
- Phase loss detection when one of the voltages is <70% rated voltage
- Phase or neutral loss tripping time: 60ms
- 2 relay outputs, each with 1 changeover contact (SPDT)
- Modular DIN 43880 housing, 3 modules
- IEC degree of protection: IP40 on front (only when placed in IP40 enclosure or control board); IP20 at terminals.

ADJUSTMENTS

- "V max" Maximum voltage tripping threshold 105...115% Ue
- "V min" Minimum voltage tripping threshold 80...95% Ue
- "Delay" for each Tripping time 0.1...20s
- "Reset Delay" Resetting time 0.1...20s.

Certifications and compliance

Certifications obtained: EAC.
Compliant with standards: IEC/EN 60255-5, IEC/EN 61000-6-2, IEC/EN 61000-6-3, UL 508, CSA C22.2 n° 14.



PMV70N...

Order code	Rated voltage to control Ue (phase to phase)	Qty per pkg	Wt
	[V] 50/60Hz	n°	[kg]
Three-phase system, with or without neutral. Minimum and maximum AC voltage and asymmetry. Delayed trip. Phase loss, neutral loss and incorrect phase sequence. Instantaneous trip.			
PMV70N A240	208...240VAC	1	0.200
PMV70N A440	380...440VAC	1	0.200
PMV70N A600	480...600VAC	1	0.200

General characteristics

- Voltage monitoring relay, self powered, for minimum and maximum voltage, phase loss, neutral loss, incorrect phase sequence and asymmetry
- 4 configurable rated voltage (Ue):
 - PMV70N A240: 208-220-230-240VAC (phase-phase) 120-127-132-138VAC (phase-neutral)
 - PMV70N A440: 380-400-415-440VAC (phase-phase) 220-230-240-254VAC (phase-neutral)
 - PMV70N A600: 480-525-575-600VAC (phase-phase) 277-303-332-347VAC (phase-neutral)
- Excellent tripping accuracy
- TRMS measurements (True Root Mean Square)
- Phase loss detection when one of the voltages is <70% rated value
- Phase or neutral loss tripping time: 60ms
- 2 relay outputs, each with 1 changeover contact (SPDT)
- Modular DIN 43880 housing, 3 modules
- IEC degree of protection: IP40 on front (only when placed in IP40 enclosure or control board); IP20 at terminals.

ADJUSTMENTS

- "V max" Maximum voltage tripping threshold 105...115% Ue
- "V min" Minimum voltage tripping threshold 80...95% Ue
- "Delay" for each Tripping time 0.1...20s
- "Asymmetry" High voltage asymmetry tripping threshold 5...15% Ue.

Certifications and compliance

Certifications obtained: EAC.
Compliant with standards: IEC/EN 60255-5, IEC/EN 61000-6-2, IEC/EN 61000-6-3, UL 508, CSA C22.2 n° 14.

For three-phase systems, with or without neutral



PMV80N...

Order code	Rated voltage to control Ue (phase to phase)	Qty per pkg	Wt
	[V] 50/60Hz	n°	[kg]

Three-phase system, with or without neutral. Minimum and maximum AC voltage, minimum and maximum frequency. Delayed trip. Phase loss, neutral loss and incorrect phase sequence. Instantaneous trip.

PMV80N A240	208...240VAC	1	0.200
PMV80N A440	380...440VAC	1	0.200
PMV80N A600	480...600VAC	1	0.200

General characteristics

- Voltage monitoring relay, self powered, for minimum and maximum voltage, minimum and maximum frequency, phase loss, neutral loss and incorrect phase sequence
- 4 configurable rated voltage (Ue):
 - PMV80N A240: 208-220-230-240VAC (phase-phase) 120-127-132-138VAC (phase-neutral)
 - PMV80N A440: 380-400-415-440VAC (phase-phase) 220-230-240-254VAC (phase-neutral)
 - PMV80N A600: 480-525-575-600VAC (phase-phase) 277-303-332-347VAC (phase-neutral)
- Excellent tripping accuracy
- TRMS measurements (True Root Mean Square)
- Phase loss detection if one of the voltages is <70% rated value
- Phase or neutral loss tripping time: 60ms
- 2 relay outputs, each with 1 changeover contact (SPDT)
- Modular DIN 43880, 3 modules
- IEC degree of protection: IP40 on front (only when placed in IP40 enclosure or control board); IP20 at terminals.

ADJUSTMENTS

- "V max" Maximum voltage tripping threshold 105...115% Ue
- "V min" Minimum voltage tripping threshold 80...95% Ue
- "Hz min/max" Minimum/maximum frequency tripping threshold 1...10%
- "V delay" Tripping time 0.1...20s
- "Hz delay" Tripping time 0.1...5s.

Certifications and compliance

Certifications obtained: EAC.
Compliant with standards: IEC/EN 60255-5, IEC/EN 61000-6-2, IEC/EN 61000-6-3, UL 508, CSA C22.2 n° 14.

For single-phase systems



PMV55...

Order code	Rated voltage to control Ue	Qty per pkg	Wt
	[V] 50/60Hz	n°	[kg]

Single-phase system. Minimum and maximum AC voltage. Delayed trip.

PMV55 A240	208...240VAC	1	0.125
PMV55 A440	380...440VAC	1	0.125

General characteristics

- Voltage monitoring relay, self powered, for minimum and maximum voltage
- 4 configurable rated voltage (Ue):
 - PMV55 A240: 208-220-230-240VAC
 - PMV55 A440: 380-400-415-440VAC
- Excellent tripping accuracy
- TRMS measurements (True Root Mean Square)
- 1 relay output with 1 changeover contact (SPDT)
- Modular DIN 43880 housing, 2 modules
- IEC degree of protection: IP40 on front (only when placed in IP40 enclosure or control board); IP20 at terminals.

ADJUSTMENTS

- "V max" Maximum voltage tripping threshold 105...115% Ue
- "V min" Minimum voltage tripping threshold 80...95% Ue
- "Delay" for each Tripping time 0.1...20s
- "Reset delay" Resetting time 0.1...20s.

Certifications and compliance

Certifications obtained: EAC; UL Listed, for USA and Canada (cULus - File E93601), as Auxiliary Devices.
Compliant with standards: IEC/EN 60255-5, IEC/EN 61000-6-2, IEC/EN 61000-6-3, UL 508, CSA C22.2 n° 14.

18 Monitoring relays

Multifunction voltage and frequency monitoring relays.
Frequency monitoring relays.

Multifunction voltage and frequency monitoring relays for three-phase systems with or without neutral, with NFC technology and APP



PMV95N...

new



Order code	Rated voltage to control Ue (phase to phase)	Qty per pkg	Wt
	[V] 50/60Hz	n°	[kg]

Three-phase system, with or without neutral.
Minimum and maximum AC voltage, minimum and maximum frequency and asymmetry. Delayed trip.
Phase loss, neutral loss and phase sequence. Instantaneous trip.
Programmable via smartphone or tablet with NFC technology and APP.

PMV95N A240 NFC	208...240VAC	1	0.130
PMV95N A575 NFC	380...575VAC	1	0.130

General characteristics

- Multifunction voltage and frequency monitoring relay, self powered, for minimum and maximum voltage, minimum and maximum frequency, phase loss, neutral loss, incorrect phase sequence and asymmetry.
- NFC connectivity for parameter setting with **NFC APP**, may be downloaded for free from Google Play Store
- Simple, fast and intuitive programming
- Very high accuracy and repeatability of the settings
- Possibility to save the program on smartphone or tablet to be copied on other PMV95N, even with device powered off
- Possibility to enable or disable individually the functions of interest
- Possibility to protect the settings with a password
- QR code for the direct connection to the LOVATO Electric website for the download of the technical manual
- Excellent tripping accuracy
- TRMS measurements (True Root Mean Square)
- Phase loss detection if one of the voltages is <70% rated value
- 1 relay output with changeover contact (SPDT)
- Modular DIN 43880 housing, 2 modules
- IEC degree of protection: IP40 on front (only when placed in IP40 enclosure or control board); IP20 at terminals.

ADJUSTMENTS:

Consult the technical manual on the website www.LovatoElectric.com.

Certifications and compliance

Certifications (pending): cULus, EAC.
Compliant with standards: IEC/EN 60255-5, IEC/EN 61000-6-2, IEC/EN 61000-6-3, UL 508, CSA C22.2 n° 14.

Frequency monitoring relay for single and three-phase systems



PMF20...

Order code	Rated voltage Ue	Qty per pkg	Wt
	[V] 50/60Hz	n°	[kg]

Single and three-phase systems.
Minimum and maximum frequency. Delayed trip.
Automatic reset.

PMF20 A240	220...240VAC	1	0.125
PMF20 A415	380...415VAC	1	0.125

General characteristics

- Frequency monitoring relay, self powered, for minimum and maximum control
- Rated frequency selection: 50 or 60Hz
- Tripping threshold for minimum and maximum frequency
- Excellent tripping accuracy
- 1 relay output, configurable, with 1 changeover contact (SPDT)
- Modular DIN 43880 housing, 2 modules
- IEC degree of protection: IP40 on front (only when placed in IP40 enclosure or control board); IP20 at terminals.

ADJUSTMENTS

"Hz max"	Maximum frequency tripping threshold +1...+10%
"Delay"	Tripping time 0.1...20s
"Hz min"	Minimum frequency tripping threshold -1...-10%
"Delay"	Tripping time 0.1...20s
"Reset delay"	Resetting time 0.1...20s
"Mode"	<ul style="list-style-type: none"> • Minimum and maximum frequency • Output relay energised at maximum frequency • Output relay energised at minimum frequency • Output relay de-energised at maximum frequency.

Certifications and compliance

Certifications obtained: EAC; UL Listed, for USA and Canada (cULus - File E93601), as Auxiliary Devices.
Compliant with standards: IEC/EN 60255-5, IEC/EN 61000-6-2, IEC/EN 61000-6-3, UL 508, CSA C22.2 n° 14.

For single-phase systems



PMA20 240

Order code	Rated current I _e	Auxiliary supply voltage	Qty per pkg	Wt
	[A]	[V]	n°	[kg]

Single-phase system.
AC/DC maximum current control.
Auxiliary AC/DC power supply.
Automatic or manual reset.

PMA20 240	5 or 16A	24...240V AC/DC	1	0.121
------------------	----------	--------------------	---	-------

General characteristics

- Current monitoring relay for AC/DC maximum current control, AC/DC multivoltage auxiliary power supply
- Direct connection up to 16A max or by current transformer (CT)
- Excellent tripping accuracy
- TRMS current measurements (True Root Mean Square)
- Resetting and inhibition input
- 1 relay output with 1 changeover contact (SPDT)
- Modular DIN 43880 housing, 2 modules
- IEC degree of protection: IP40 on front (only when placed in IP40 enclosure or control board); IP20 at terminals.

ADJUSTMENTS

- "I_{max}" Maximum current tripping threshold
5...100% I_e
- "Hysteresis" Maximum hysteresis threshold
1...50%
- "Trip delay" Tripping time 0.1...30s
- "Inhibition time" Inhibition delay for external input or at power up 1...60s
- "Aut. reset delay" Automatic resetting time 0.1...30s
- "Mode"
 - Rated current 5A or 16A
 - Relay output normally energised or de-energised
 - Tripping memory (Latch) On or Off.

Certifications and compliance

Certifications obtained: EAC; UL Listed, for USA and Canada (cULus - File E93601), as Auxiliary Devices - Modular ampere monitoring relays.
Compliant with standards: IEC/EN 60255-5, IEC/EN 61000-6-2, IEC/EN 61000-6-3, UL 508, CSA C22.2 n° 14.

For single and three-phase systems



PMA30 240

Order code	Rated current I_e	Auxiliary supply voltage	Qty per pkg	Wt
	[A]	[V]	n°	[kg]
PMA30 240	5 or 16A	24...240V AC/DC	1	0.121

Single and three-phase system.
AC/DC minimum or maximum current control. Delayed trip.
Auxiliary AC/DC power supply.
Automatic or manual reset.



PMA40 240

Order code	Rated current I_e	Auxiliary supply voltage	Qty per pkg	Wt
	[A]	[V]	n°	[kg]
PMA40 240	0.02-0.05-0.25-1-5-16A	24...240V AC/DC	1	0.166

Single and three-phase system.
AC/DC minimum and maximum current control. Delayed trip.
Auxiliary AC/DC power supply.
Automatic or manual reset.

General characteristics

- Current monitoring relay for AC/DC minimum or maximum current control; AC/DC multivoltage auxiliary power supply
- Direct connection up to 16A max or by current transformer (CT)
- Excellent tripping accuracy
- TRMS current measurements (True Root Mean Square)
- Resetting and inhibition input
- 1 relay output with 1 changeover contact (SPDT)
- Modular DIN 43880 housing, 2 modules
- IEC degree of protection: IP40 on front (only when placed in IP40 enclosure or control board); IP20 at terminals.

ADJUSTMENTS

- "Set point" Minimum or maximum current tripping threshold 5...100% I_e
- "Hysteresis" Minimum or maximum hysteresis threshold 1...50%
- "Trip delay" Tripping time 0.1...30s
- "Inhibition time" Inhibition delay for external input or at power up 1...60s
- " I_e " Current scale selection: 5A or 16A
- "Mode"
 - Min or max function
 - Relay output normally energised or de-energised
 - Tripping memory (Latch) On or Off.

Certifications and compliance

Certifications obtained: EAC; UL Listed, for USA and Canada (cULus - File E93601), as Auxiliary Devices - Modular ampere monitoring relays.

Compliant with standards: IEC/EN 60255-5, IEC/EN 61000-6-2, IEC/EN 61000-6-3, UL 508, CSA C22.2 n° 14.

General characteristics

- Current monitoring relay for AC/DC minimum and maximum current control, AC/DC multivoltage auxiliary power supply
- Direct connection up to 16A max or by current transformer (CT)
- Excellent tripping accuracy
- TRMS current measurements (True Root Mean Square)
- Automatic or manual resetting (manual resetting by power removal)
- 2 relay outputs (Min and Max), configurable, each with 1 changeover contact (SPDT)
- Modular DIN 43880 housing, 3 modules
- IEC degree of protection: IP40 on front (only when placed in IP40 enclosure or control board); IP20 at terminals.

ADJUSTMENTS

- " I_{max} " Maximum current tripping threshold 5...100% I_e
- " I_{min} " Minimum current tripping threshold 5...100% I_e
- "Trip delay" Minimum and maximum current tripping time 0.1...30s
- "Inhibition time" Inhibition time at power up 1...60s
- " I_e " Current scale selection: 20mA, 50mA, 250mA, 1A, 5A or 16A
- "Mode"
 - Separate or common relay outputs
 - Relay output normally energised or de-energised
 - Tripping memory (Latch) On or Off.

Certifications and compliance

Certifications obtained: EAC; UL Listed, for USA and Canada (cULus - File E93601), as Auxiliary Devices - Modular ampere monitoring relays.

Compliant with standards: IEC/EN 60255-5, IEC/EN 61000-6-2, IEC/EN 61000-6-3, UL 508, CSA C22.2 n° 14.

For single and three-phase systems



PMA50...

Order code	Rated current I _e	Auxiliary supply voltage	Qty per pkg	Wt
	[A]	[V]	n°	[kg]

Single and three-phase systems.
Maximum AC current and minimum cosφ. Delayed trip.
Phase loss and incorrect phase sequence. Instantaneous trip.
Auxiliary AC power supply.
Automatic or manual reset.

PMA50 A240	5 or 16A	220...240VAC	1	0.251
PMA50 A415		380...415VAC	1	0.251
PMA50 A480		440...480VAC	1	0.251

General characteristics

- Pump protection relay against dry running, auxiliary AC power supply
- Motor under-load and over-current control
- Direct connection up to 16A max or by current transformer (CT)
- Excellent tripping accuracy
- Voltage control range 80...660VAC
- Current control range 0.1...16A
- Resetting and enabling consent input
- 1 relay output relay with 1 changeover contact (SPDT)
- Modular DIN 43880 housing, 3 modules
- IEC degree of protection: IP40 on front (only when placed in IP40 enclosure or control board); IP20 at terminals.

ADJUSTMENTS

"Cosφ min"	Minimum cosφ threshold 0.1...0.99 (under-load/dry running)
"I _{max} "	Maximum (over) current threshold 10...100%I _e
"Trip delay"	Tripping time for minimum cosφ and maximum current 0.1...10s
"Inhibition time"	Inhibition delay for external input or at power up 1...60s
"Aut. reset delay"	Automatic reset time OFF...100min
"Mode"	<ul style="list-style-type: none"> • Rated current 5A or 16A • Single or three phase • External reset On or Off.

Certifications and compliance

Certifications obtained: EAC; UL Listed, for USA and Canada (cULus - File E93601), as Auxiliary Devices - Modular ampere monitoring relays.
Compliant with standards: IEC/EN 60255-5, IEC/EN 61000-6-2, IEC/EN 61000-6-3, UL 508, CSA C22.2 n° 14.

For low voltage



PMVF 20...

Order code	Rated voltage		Qty per pkg	Wt
	Control	Auxiliary		
	[V]	[V]	n°	[kg]
Three-phase system, with or without neutral, in low voltage. Dual threshold minimum and maximum voltage and frequency protection. Flush mount type.				
PMVF 20	230VAC	100...400VAC/110...250VDC	1	0.568
PMVF 20 D048	400VAC	12...48VDC	1	0.580

Voltage threshold per CEI 0-21

Type of protection	Tripping threshold	Tripping time
Maximum voltage 59.S2	1.15Un	0.2s
Maximum voltage 59.S1 (moving mean over 10min)	1.10Un	≤ 3s
Minimum voltage 27.S1	0.85Un	0.4s
Minimum voltage 27.S2	0.4Un	0.2s

Frequency threshold per CEI 0-21

Type of protection	Tripping threshold	Tripping time
High external signal and low local control conditions.		
Maximum frequency 81>.S2	51.5Hz	0.1s
Minimum frequency 81<.S2	47.5Hz	0.1s
Low external signal and high local control conditions.		
Maximum frequency 81>.S2	51.5Hz	1s
Minimum frequency 81<.S2	47.5Hz	4s
High conditions for both external signal and local control.		
Maximum frequency 81>.S1	50.5Hz	0.1s
Minimum frequency 81<.S1	49.5Hz	0.1s

NOTE: Low conditions for both external signal and local control are not taken into consideration by the standard.

Order code	Description

EXPANSION MODULES FOR PMVF 20.

For independent signal in case of phase power unbalance (LSP).

EXP10 03	2 relay outputs 5A 250VAC
Communication ports.	
EXP10 18	IEC/EN 61850 interface
EXP10 10	Opto-isolated USB interface
EXP10 11	Opto-isolated RS232 interface
EXP10 12	Opto-isolated RS485 interface
EXP10 13	Opto-isolated Ethernet interface

IEC/EN 61850 protocol

The EXP10 18 module will be made available only when the competent authorities have established the exact terms of the supervision and control of the specific commands (currently under study as specified in the Italian CEI 0-21 standard).



EXP10 03

General characteristics

PMVF 20 interface protection system (IP) unit has been developed according to the Italian CEI 0-21 standard prescriptions. It is used when a local generating system is connected in parallel with the low-voltage electric utility. The controls refer to limits of voltage and frequency monitoring.

In the case when either the voltage or the frequency are out of admissible limits, the SPI must step in by de-energising a relay output so that the interface device (DDI) trips.

PMVF 20 is equipped with 4 inputs having the following functions:

- DDI status feedback
- External signal for frequency selection (communication network malfunction)
- Local control for frequency selection
- Remote tripping (forced DDI opening independent of voltage and frequency values).

Also, there are two relay outputs for:

- DDI opening and closing
- Standby device opening (programmable: retentive normally energised, retentive normally de-energised or adjustable pulse).

The standby device control is compulsory in installations with more than 20kW and consists of a signal, with a 0.5s delay respect to the DDI opening command, transmitted only if the DDI fails and does not complete the disconnection.

By fitting the EXP10 03 expansion module on the PMVF 20, the following functions can be configured as:

- Programmable alarm
- Autonomous signalling in case of phase power unbalance (LSP), only if three CTs are also installed.

Operational characteristics

- Auxiliary voltage:
 - PMVF 20: 100...400VAC/110...250VDC
 - PMVF 20 D048: 12...48VDC
- Voltage inputs:
 - 400VAC (three-phase connection)
 - 230VAC (single-phase connection)
- Relay outputs 5A 250VAC AC1 / 5A 30VDC
- 4 digital inputs
- Current inputs (optional): Use via CTs with selectable /5A or /1A secondary
- Support of EXP series communications ports (USB, RS232, RS485, Ethernet) see section 30
- Parameter configuration and remote control (only with communication expansion module) with software **Synergy** and **Xpress**
- Housing: Flush mount 96x96mm/3.78x3.78"
- IEC degree of protection: IP65 on front; IP20 on terminals
- **Predisposed for IEC/EN 61850 signal supervision using expansion or external module.**

Reference standards

Compliant with standards: Italian CEI 0-21, IEC/EN 60255-5, IEC/EN 61010-1, IEC/EN 61000-6-2, IEC/EN 61000-6-3.

Note for Italian CEI 0-21 standard:

According to standard prescriptions, once the installation is completed, the interface protection must be tested by the installer using a relay test box which controls the trip thresholds and timing.

Supervision and energy management **Synergy software**
See section 29.

Configuration and remote control software **Xpress**
See section 29.

For low voltage



PMVF 51

Order code	Rated voltage		Qty per pkg	Wt
	Control	Auxiliary		
	[V]	[V]	n°	[kg]

Three-phase system with or without neutral in low voltage. Dual threshold minimum and maximum voltage and frequency protection. Modular type with 2 relay outputs.

PMVF 51	230VAC 400VAC	100...240VAC/ 110...250VDC	1	0.470
----------------	------------------	-------------------------------	---	-------

Voltage threshold per CEI 0-21

Type of protection	Tripping threshold	Tripping time
Maximum voltage 59.S2	1.15Un	0.2s
Maximum voltage 59.S1 (moving mean over 10min)	1.10Un	≤ 3s
Minimum voltage 27.S1	0.85Un	0.4s
Minimum voltage 27.S2	0.4Un	0.2s

Frequency threshold per CEI 0-21

Type of protection	Tripping threshold	Tripping time
High external signal and low local control conditions.		
Maximum frequency 81>.S2	51.5Hz	0.1s
Maximum frequency 81<.S2	47.5Hz	0.1s
Low external signal and high local control conditions.		
Maximum frequency 81>.S2	51.5Hz	1s
Minimum frequency 81<.S2	47.5Hz	4s
High conditions for both external signal and local control.		
Maximum frequency 81>.S1	50.5Hz	0.1s
Minimum frequency 81<.S1	49.5Hz	0.1s

NOTE: Low conditions for both external signal and local control are not taken into consideration by the standard.

Order code	Description
EXPANSION MODULES FOR PMVF 51. Communication ports.	
EXM10 10	Opto-isolated USB interface
EXM10 11	Opto-isolated RS232 interface
EXM10 12	Opto-isolated RS485 interface
EXM10 13	Opto-isolated Ethernet interface
EXM10 18	IEC/EN 61850 interface
Inputs and outputs.	
EXM10 01	2 digital opto-isolated inputs and 2 relay outputs 5A 250VAC

IEC/EN 61850 protocol

The EXM10 18 module will be made available only when the competent authorities have established the exact terms of the supervision and control of the specific commands (currently under study as specified in the Italian CEI 0-21 standard).

General characteristics

PMVF 51 interface protection system (IP) unit has been developed according to the Italian CEI 0-21 standard prescriptions. Each is used when a local solar generating system is connected in parallel with the low-voltage electric utility. The controls refer to limits of voltage and frequency monitoring.

In the case when either the voltage or the frequency are out of admissible limits, the SPI must step in by de-energising a relay output so that the interface device (DDI) trips.

PMVF 51 is equipped with 4 inputs having the following functions:

- DDI status feedback
- External signal for frequency selection (communication network malfunction)
- Local control for frequency selection
- Remote tripping (forced DDI opening, independent of voltage and frequency values).

Also, there are two relay outputs for:

- DDI opening and closing
- Standby device opening (programmable: retentive normally energised, retentive normally de-energised or adjustable pulse).

The standby device control is compulsory in installations with more than 20kW and consists of a signal, with a 0.5s delay respect to the DDI opening command, transmitted only if the DDI failed and did not complete the disconnection.

PMVF 51 also has two additional relay outputs to configure as:

- Programmable alarm
- Autonomous signalling in case of phase power unbalance (LSP), only if three CTs are also installed.

Operational characteristics

- Auxiliary voltage: 100...240VAC/110...250VDC
- Voltage inputs:
 - 400VAC (three-phase connection)
 - 230VAC (single-phase connection)
- Relay outputs 5A 250VAC AC1 / 5A 30VDC
- 4 digital inputs
- Current inputs (optional): Use via CTs with selectable /5A or /1A secondary
- Support of EXM series communications inputs (USB, RS232, RS485, Ethernet) see section 30
- Modular housing: 6 modules
- Parameter configuration and remote control (only with communication expansion module) with software **Synergy** and **Xpress**
- Degree of protection for both: IP40 on front; IP20 on terminals
- **Predisposed for IEC/EN 61850 signal supervision using expansion or external module.**

Reference standards

Compliant with standards: Italian CEI 0-21, IEC/EN 60255-5, IEC/EN 61010-1, IEC/EN 61000-6-2, IEC/EN 61000-6-3.

Note for Italian CEI 0-21 standard:

According to standard prescriptions, once the installation is completed, the interface protection must be tested by the installer using a relay test box which controls the trip thresholds and timing.

Supervision and energy management **Synergy software**
See section 29.

Configuration and remote control software **Xpress**
See section 29.



EXM10...

For medium voltage



PMVF 30...

Voltage threshold per CEI 0-16

Order code	Rated voltage		Qty per pkg	Wt
	Control	Auxiliary		
	[V]	[V]	n°	[kg]


Medium-voltage system.
Dual threshold minimum and maximum voltage and frequency protection.
Flush mount type.

PMVF 30	Measurements via VTs in MV or direct in LV	100...400VAC/ 110...250VDC	1	0.566
PMVF 30 D048		12...48VDC	1	0.566

Type of protection	Tripping threshold	Tripping time
Maximum voltage 59.S2	1.2Un	0.6s
Maximum voltage 59.S1 (moving mean over 10min)	1.1Un	≤ 3s
Minimum voltage 27.S1	0.85Un	0.4s
Minimum voltage 27.S2	0.3Un	0.2s
Maximum residual voltage 59.V0 (59N)	5% √3 Un	25s

Frequency threshold per CEI 0-16
Frequency protection at voltage choice

Type of protection	Tripping threshold	Tripping time
Configuration in standard conditions.		
Maximum frequency 81>.S2	51.5Hz	1s
Minimum frequency 81<.S2	47.5Hz	4s
Limited configuration in case of local control or voltage choice condition.		
Maximum frequency 81>.S1	50.2Hz	0.15s
Minimum frequency 81<.S1	49.8Hz	0.15s
– Voltage choice functions		
Maximum residual voltage 59.V0 (59N)	5% √3 Un	-
Minimum direct sequence voltage 27.Vd	70% Un	-
Maximum inverse sequence voltage 59.Vi	15% Un	-

Order code	Description
EXPANSION MODULES FOR PMVF 30 AND PMVF 30 D048. For auto reclosing management of automatic circuit breaker (DDI).	
EXP10 03	2 relay outputs 5A 250VAC
Communication ports.	
EXP10 18 	IEC/EN 61850 interface
EXP10 10	Opto-isolated USB interface
EXP10 11	Opto-isolated RS232 interface
EXP10 12	Opto-isolated RS485 interface
EXP10 13	Opto-isolated Ethernet interface

IEC/EN 61850 protocol

The EXP10 18 module will be made available only when the competent authorities have established the exact terms of the supervision and control of the specific commands (currently under study as specified in the Italian CEI 0-16 standard).



EXP10...

General characteristics

PMVF 30 interface protection system (IP) unit has been developed according to the Italian CEI 0-16 standard prescriptions. It is used when a local generating system is connected in parallel with the medium-voltage utility distribution grid. The controls refer to limits of voltage and frequency monitoring.

In the case when either the voltage or the frequency are out of admissible limits, the SPI must step in by de-energising a relay output so that the interface device (DDI) trips.

PMVF 30 is equipped with inputs having the following functions:

- DDI status feedback
- Interface protection system exclusion
- Local control
- Remote tripping (forced DDI opening, independent of voltage and frequency values).

In addition, there are two relay outputs to configure as:

- DDI opening
- Programmable (either as factory default for standby device opening or to set up as auto reclosing if the DDI is an automatic circuit breaker).

Standby device opening


In installations with more than 400kW, the standard specifies there must be a command signal, that releases another standby device, given within 1 second whenever the DDI opening fails or malfunctions.

Automatic DDI reclosing

Whenever an automatic circuit breaker is used as the DDI, the PMVF 30 is capable of controlling both the opening (according to the installation conditions indicated in the Italian CEI 0-16 standard) and the auto reclosing. The auto reclosing function includes defining the number of attempts and the time interval between an attempt and the following one as well as generating an alarm if the closing operation does not take place.

This function can be carried out through a programmable output of the PMVF 30 (unless it is already used for the standby device operation) or by installing an EXP10 03 expansion module.

Operational characteristics

- Auxiliary voltage:
 - PMVF 30: 100...400VAC/110...250VDC
 - PMVF 30 D048: 12...48VDC
- Voltage inputs (connection via VTs in MV or directly in LV end):
 - Primary: 400...150,000V
 - Secondary: 50...500V (for voltage/frequency); 50...150V (for residual voltage measurement)
- Relay outputs 5A 250VAC AC1 / 5A 30VDC
- 4 digital inputs
- 3 current inputs (for optional measuring): Use via CTs with selectable /5A or /1A secondary
- Support of EXP series communications ports (USB, RS232, RS485, Ethernet); see section 30
- Housing: Flush mount 96x96mm/3.78x3.78"
- Parameter configuration and remote control (only with communication expansion module) with software **Synergy** and **Xpress**
- Degree of protection: IP65 on front; IP20 on terminals
- **Predisposed for IEC/EN 61850 signal supervision using expansion or external module .**

Reference standards

Compliant with standards: Italian CEI 0-16; IEC/EN 60255-5, IEC/EN 61010-1, IEC/EN 61000-6-2, IEC/EN 61000-6-3.

Supervision and energy management **Synergy** software
See section 29.

Configuration and remote control software **Xpress**
See section 29.



new

PMVF 60

Order code	Rated voltage		Qty per pkg	Wt [kg]
	Control [V]	Auxiliary [V]		
	[V]	[V]	n°	[kg]

Three-phase systems with or without neutral in low or medium voltage.
Dual threshold minimum and maximum voltage and frequency protection. ROCOF and Vector shift. Modular type.

PMVF 60	230VAC 400VAC	100...240VAC/ 110...250VDC	1	0.470
----------------	------------------	-------------------------------	---	-------

Voltage threshold

Type of protection	Tripping threshold	Tripping time
Maximum voltage 59-2	1.15Un	0.2s
Maximum voltage 59-1 (moving mean over 10min)	1.10Un	≤ 3s
Minimum voltage 27-1	0.85Un	0.4s
Minimum voltage 27-2	0.4Un	0.2s

Frequency threshold

Type of protection	Tripping threshold	Tripping time
Maximum frequency 81>-2	OFF	0.1s
Maximum frequency 81>-1	52.5Hz	0.1s
Minimum frequency 81>-1	47.5Hz	4s
Minimum frequency 81>-2	OFF	4s
ROCOF	OFF	–
Vector shift	OFF	–

Order code	Description
------------	-------------

EXPANSION MODULES FOR PMVF 60.
Communication ports.

EXM10 10	Opto-isolated USB interface
EXM10 11	Opto-isolated RS232 interface
EXM10 12	Opto-isolated RS485 interface
EXM10 13	Opto-isolated Ethernet interface
EXM10 18	IEC/EN 61850 interface

Inputs and outputs.

EXM10 01	2 digital opto-isolated inputs and 2 relay outputs 5A 250VAC
-----------------	--

IEC/EN 61850 protocol

The EXM10 18 module will be made available only when the competent authorities have established the exact terms of the supervision and control specific commands.



EXM10...

General characteristics

PMVF 60 interface protection (IP) system unit has been developed according to the Engineering recommendation SHAMS DUBAI - DRRG (DEWA) prescriptions. Each is used when a local generating system is connected in parallel with the low and medium voltage electric utility. The controls refer to limits of voltage and frequency monitoring.

In the case when either the voltage or the frequency are out of admissible limits, the IP must step in by de-energising a relay output so that the interface switch (IS) trips.

PMVF 60 is equipped with 4 inputs having the following functions:

- IS status feedback
- External signal for frequency selection
- Disabling signal
- Remote tripping (forced IS opening, independent of voltage and frequency values).

Also, there are two relay outputs for:

- IS opening and closing
- Backup device opening (programmable: retentive normally energised, retentive normally de-energised or adjustable pulse).

The backup device consists of a signal contemporary or with a 0.5s delay respect to the IS opening command, transmitted only if the IS failed and did not complete the disconnection. PMVF 60 also has two additional relay outputs to configure as:

- Autonomous signalling in case of phase power unbalance (LSP), only if three CTs are also installed
- Programmable alarm.

Operational characteristics

- Auxiliary voltage: 100...240VAC/110...250VDC
- Voltage inputs:
 - 400VAC (three-phase connection)
 - 230VAC (single-phase connection)
- Relay outputs 250VAC 5A (AC1) / 30VDC 5A
- Relay can be password protected to prevent parameters being altered
- 4 digital inputs
- Current inputs (optional): via CTs with selectable /5A or /1A secondary
- Programmable rated voltage, programmable voltage and frequency thresholds and delays
- Support of EXM series communications modules (USB, RS232, RS485, Ethernet) see section 30
- Modular housing: 6 modules
- Parameter configuration and remote control (only with communication expansion module) with software **Synergy** and **Xpress**
- Degree of protection: IP40 on front; IP20 on terminals
- **Predisposed for IEC/EN 61850 signal supervision using expansion or external module** .

Reference standards

Compliant with standards: SHAMS DUBAI - DRRG (DEWA), IEC/EN 60255-5, IEC/EN 61010-1, IEC/EN 61000-6-2, IEC/EN 61000-6-4.

Supervision and energy management **Synergy** software

See section 29.

Configuration and remote control software **Xpress**

See section 29.



new

PMVF 70

Order code	Rated voltage		Qty per pkg	Wt
	Control	Auxiliary		
	[V]	[V]	n°	[kg]

Three-phase / single-phase systems with or without neutral in low and high voltage. Dual threshold minimum and maximum voltage and frequency protection, ROCOF and Vector shift. Modular type.

PMVF 70	230VAC 400VAC	100...240VAC/ 110...250VDC	1	0.470
----------------	------------------	-------------------------------	---	-------

Voltage threshold

Type of protection	Tripping threshold	Tripping time
Maximum voltage O/V ST.2	1.19Un	0.5s
Maximum voltage O/V ST.1	1.14Un	1s
Minimum voltage U/V ST.1	0.87Un	2.5s
Minimum voltage U/V ST.2	0.8Un	0.5s

Frequency threshold

Type of protection	Tripping threshold	Tripping time
Maximum frequency O/F ST.2	52Hz	0.5s
Maximum frequency O/F ST.1	51.5Hz	90s
Minimum frequency U/F ST.1	47.5Hz	20s
Minimum frequency U/F ST.2	47Hz	0.5s
ROCOF	OFF	–
Vector shift	OFF	–

Order code	Description
------------	-------------

EXPANSION MODULES FOR PMVF 70.
Communication ports.

EXM10 10	Opto-isolated USB interface
EXM10 11	Opto-isolated RS232 interface
EXM10 12	Opto-isolated RS485 interface
EXM10 13	Opto-isolated Ethernet interface

Inputs and outputs.

EXM10 01	2 digital opto-isolated inputs and 2 relay outputs 5A 250VAC
-----------------	--



EXM10...

General characteristics

PMVF 70 interface protection (IP) system unit has been developed according to the Engineering recommendation G59 (ENA) prescriptions. It is used when a local generating system is connected in parallel with the low and high voltage electric utility. The controls refer to limits of voltage and frequency monitoring.

In the case when either the voltage or the frequency are out of admissible limits, the IP must step in by de-energising a relay output so that the interface switch (IS) trips.

PMVF 70 is equipped with 4 inputs having the following functions:

- IS status feedback
- ROCOF/Vector shift delay
- Disabling signal
- Remote tripping (forced IS opening, independent of voltage and frequency values).

Also, there are two relay outputs for:

- IS opening and closing
- Backup device opening (programmable: retentive normally energised, retentive normally de-energised or adjustable pulse).

The backup device consists of a signal contemporary or with a 0.5s delay respect to the IS opening command, transmitted only if the IS failed and did not complete the disconnection.

PMVF 70 also has two additional relay outputs to configure as:

- Autonomous signalling in case of phase power unbalance (LSP), only if three CTs are also installed
- Programmable alarm.

Operational characteristics

- Auxiliary voltage: 100...240VAC/110...250VDC
- Voltage inputs:
 - 400VAC (three-phase connection)
 - 230VAC (single-phase connection)
- Relay outputs 5A 250VAC AC1 / 5A 30VDC
- Relay can be password protected to prevent parameters being altered
- 4 digital inputs
- Current inputs (optional): via CTs with selectable /5A or /1A secondary
- Programmable rated voltage, programmable voltage and frequency thresholds and delays
- Support of EXM series communications modules (USB, RS232, RS485, Ethernet). See section 30
- Modular housing: 6 modules
- Parameter configuration and remote control (only with communication expansion module) with software **Synergy** and **Xpress**
- Degree of protection: IP40 on front; IP20 on terminals

Reference standards

Compliant with standards: Engineering recommendation G59 (ENA), IEC/EN 60255-5, IEC/EN 61010-1, IEC/EN 61000-6-2, IEC/EN 61000-6-4.

Supervision and energy management **Synergy** software
See section 29.

Configuration and remote control software **Xpress**
See section 29.

GSM modem for remote disconnection signal management

Compliant with Italian CEI 0-16 Standard, paragraph 8.8.6.5 and annex M, resolution 421/2014 of the AEEGSI



PMVF GSM 1

Order code	Description
	GSM Modem (modular - 4U). IP69K exterior aerial with 2.5 m cable. RJ45-USB programming cable (included).
PMVF GSM 1	9.5...35VDC/9.5...27VAC

green LED: output status
Off: exit de-energised
On: exit energised

blue LED: GSM status

Off: not supplied

On constantly: not registered on the network (wrong or missing PIN)

Flashing slowly: network registration OK

Flashing quickly: communication in progress



Aerial connector

RJ45 connector for programming

Application requirements

The Italian CEI 0-16 Standard, in paragraph 8.8.6.5 and annex M, prescribes that electricity production systems powered by wind or the sun through photovoltaics with a power equal to or greater than 100kW, connected to or to be connected to medium-voltage networks, have a GSM modem.

The modem must be able to receive the signals sent by the electricity distributor for the management of generation disconnection.

Functional characteristics

- Connection to the GSM network for sending and receiving SMS messages
- Programmable message texts
- Control output controlled by SMS for sending of intertripping signal to the protection interface
- Digital input for receiving the status of the Interface Device (DDI) and sending of successful DDI opening and closing SMSs
- POD management (active user code)
- Management of the list of caller IDs (CLI) up to 50 callers enabled
- Detection of mobile network coverage
- Full compatibility with medium-voltage PI LOVATO Electric PMVF 30: no software/hardware updates or programming required
- **Compatibility with third-party PIs where the remote disconnection signal is transmitted via digital input (dry contact).**

For additional information contact our Technical support Tel. + 39 035 4282422; E-mail: service@LovatoElectric.com.

Operational characteristics

MODEM

- 35mm DIN (IEC/EN 60715) rail fixing
- 4 modules
- Supply: 9.5...35VDC / 9.5...27VAC
- Consumption: 200mW (5W peak)
- 2 digital outputs 3A 250VAC
- 1 self-supplied digital input
- Housing for 3V and 1.8V SIM card
- SIM PIN management
- Certified according to FCC rules, part 15
- Back-up battery 320mAh (3.7 V)
- Operating temperature: 0...+45°C; -30...+60°C with back-up battery disconnected (for disconnection procedure consult the manual supplied with the product)
- Protection rating: IP40 on front; IP20 on terminals.

AERIAL

- Quad band 850/900/1800/1900MHz
- Exterior IP69K
- 2.5m cable
- Fixing via M10 hole:
 - with adhesive seal
 - with threaded pin and nut.

Compliance

Compliant with standards: IEC/EN 60950-1 (≤2013-05); EN 50385; EN 301 489-7 V1.3.1; EN 301 489-1 V1.9.2; EN 301 511 V9.0.2

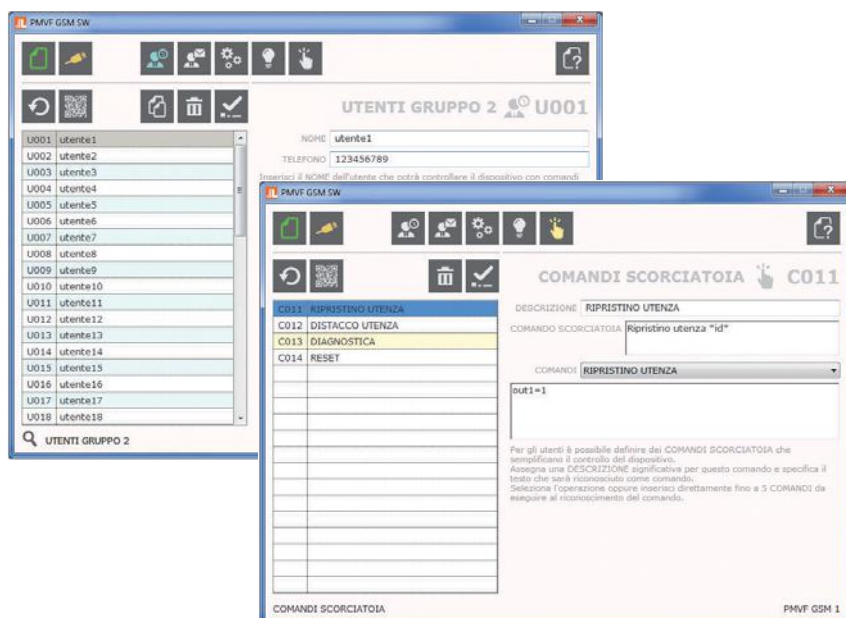
Software

To configure the PMVF GSM 1 modem (using the RJ45-USB programming cable included), the PMVF GSM SW software must be used. This can be downloaded for free from the www.LovatoElectric.com website.

The software allows you to set:

- the users enabled to exchange messages with the modem
- the active customer code (POD)
- the functions assigned to the digital outputs and input
- the texts of the SMS associated with the commands.

Configuration is also possible off-line, creating a file to transfer to the modem at another time.

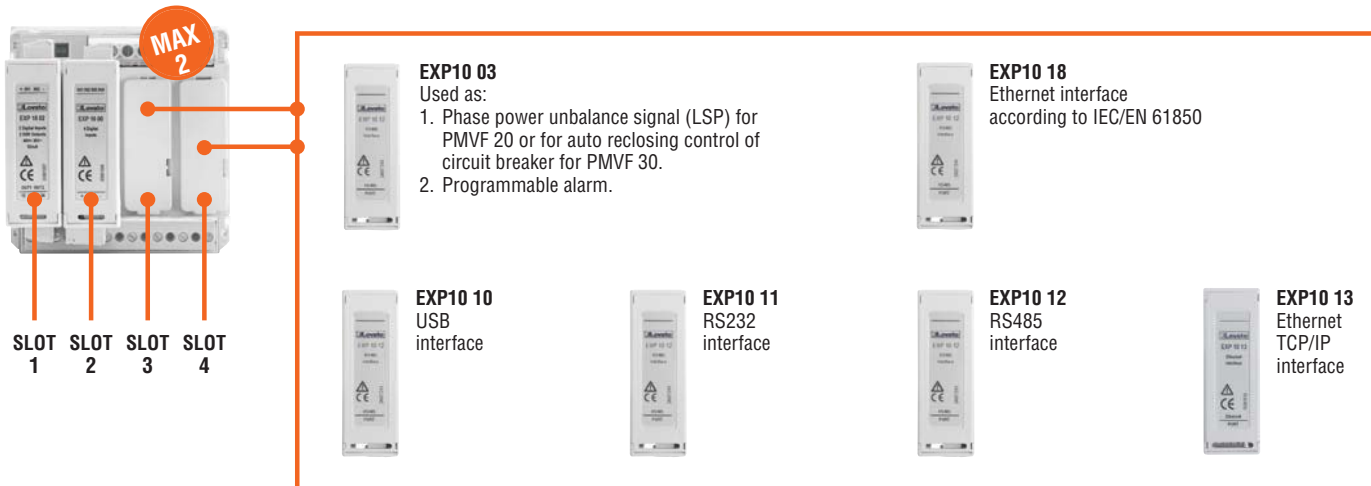


18 Monitoring relays

Maximum combination for PMVF

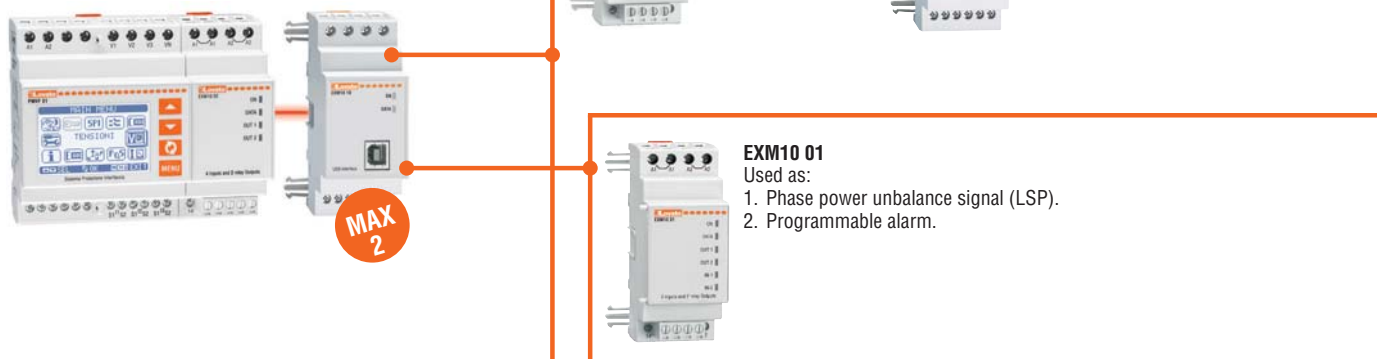
Maximum combination for PMVF 20 and PMVF 30 types

In addition to the two standard-supplied modules, another two expansion modules (one per type) can be installed from the following indicated below. For further information on modules see section 30.



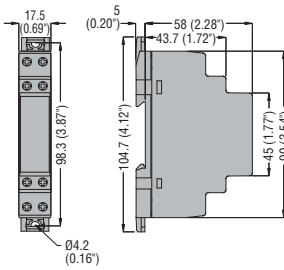
Maximum combination for PMVF 51/60/70 type

In addition to the standard-supplied module (1), two other expansion modules (one per type) can be installed from the indicated types. For info on modules see section 30.

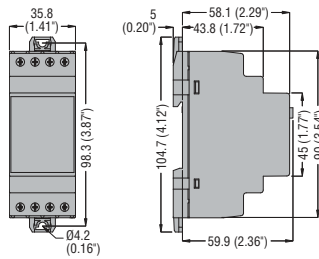


MONITORING RELAYS

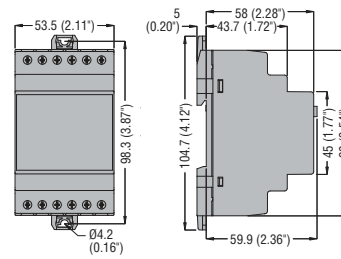
PMV10...



PMV... - PMV95N... - PMF20 PMA20... - PMA30...



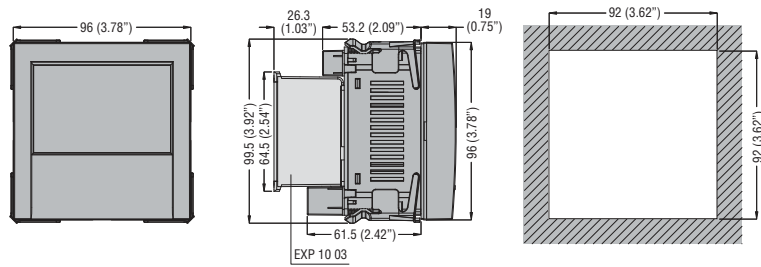
PMV50N... - PMV70N... - PMV80N... - PMA40... PMA50...



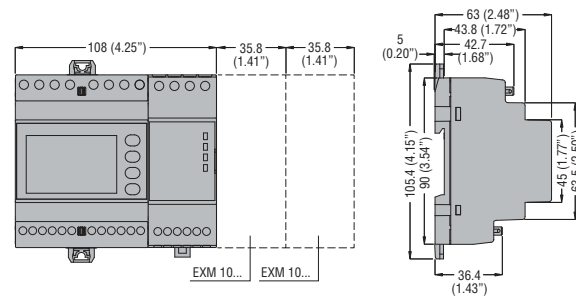
INTERFACE PROTECTION SYSTEM UNITS FOR LOW VOLTAGE

PMVF 20...

Cutout



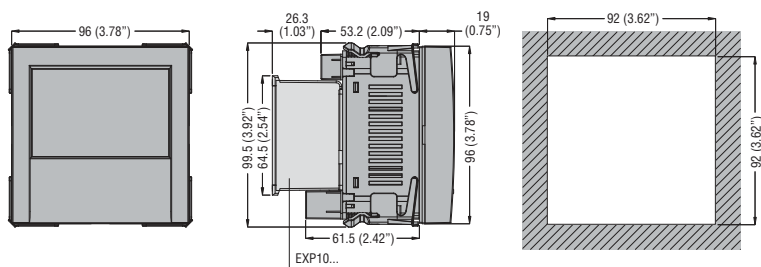
PMVF 51 - PMVF 60 - PMVF 70



INTERFACE PROTECTION SYSTEM UNIT FOR MEDIUM VOLTAGE

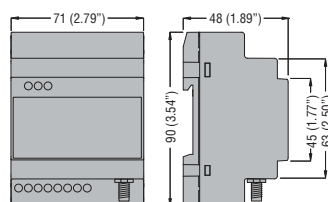
PMVF 30

Cutout



GSM MODEM FOR REMOTE DISCONNECTION SIGNAL

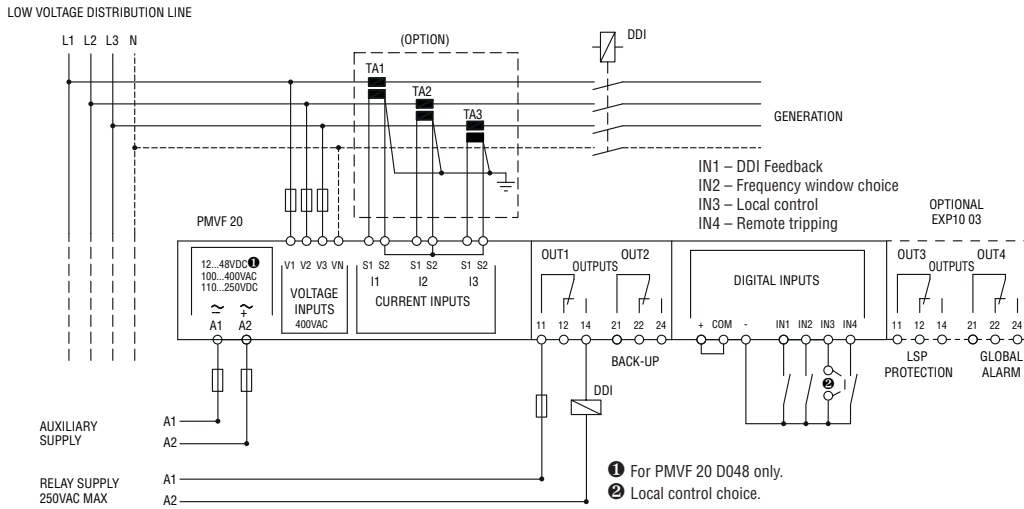
PMVF GSM 1



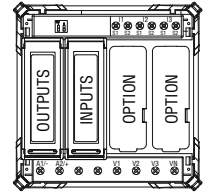
Interface protection system units compliant with Italian CEI 0-21 standard - For low voltage

PMVF 20...

Three-phase connection



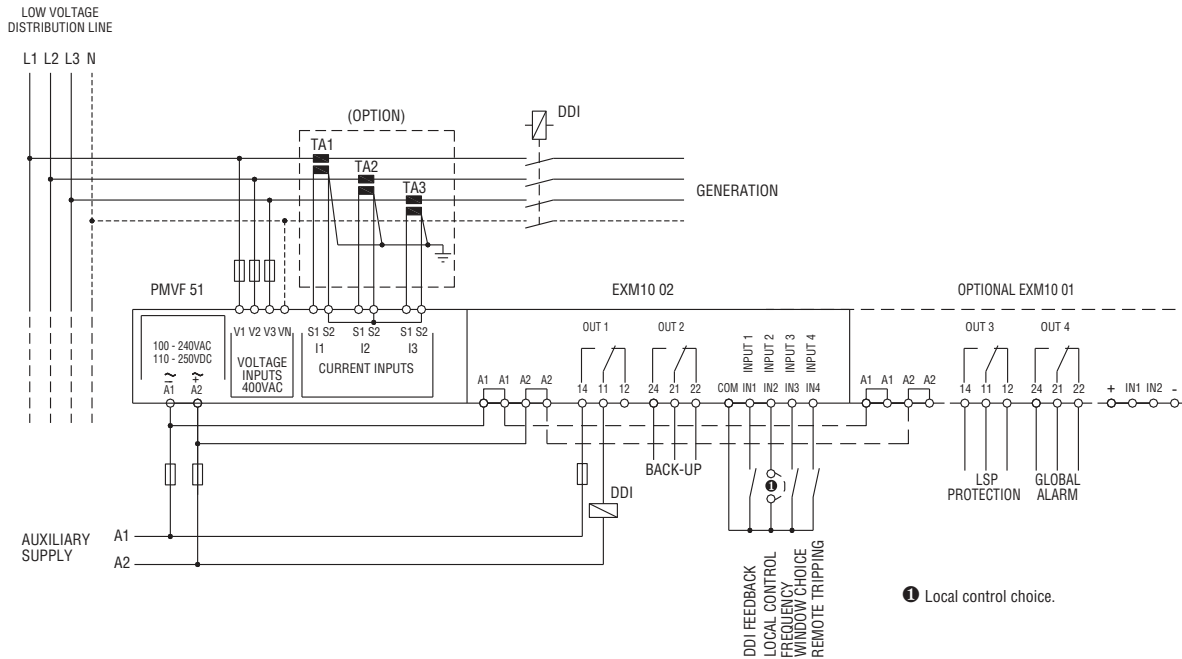
Rear view



Interface protection system units compliant with Italian CEI 0-21 standard - For low voltage

PMVF 51

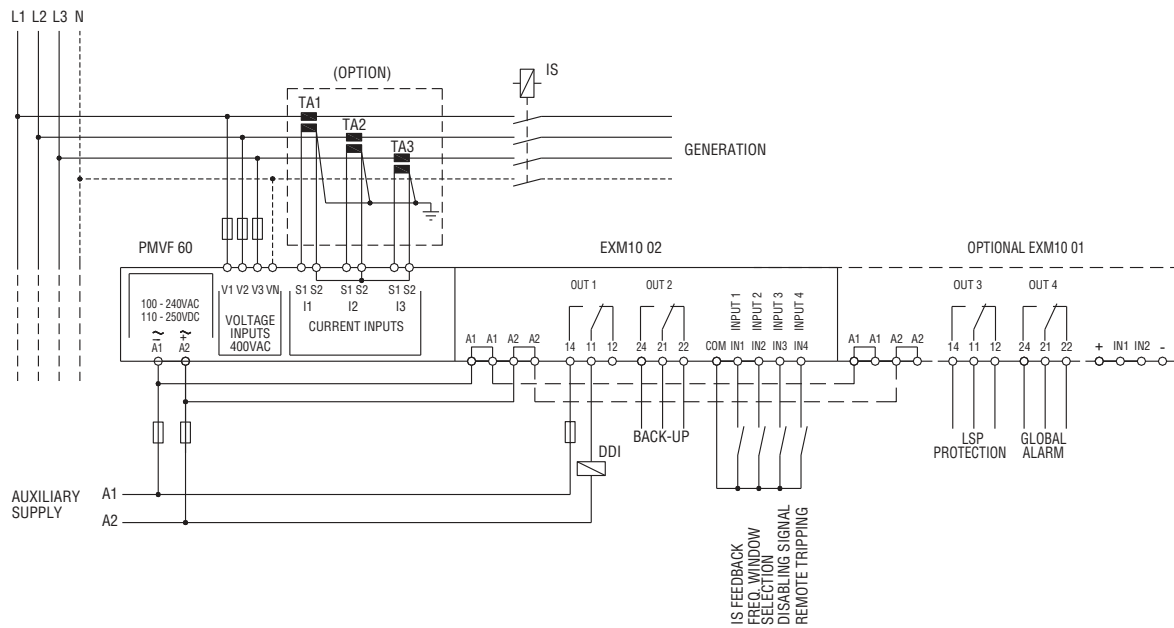
Three-phase connection



Interface protection system units compliant with standard SHAMS DUBAI - DRRG (DEWA)

PMVF 60

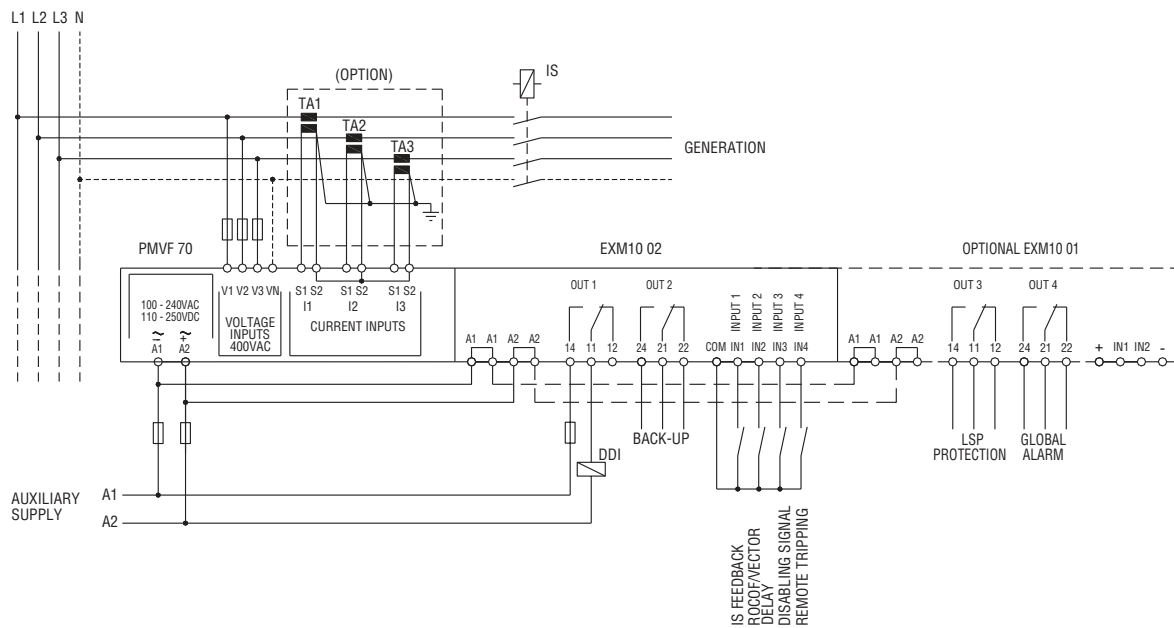
Three-phase connection



Interface protection system units compliant with technical guide G59 (ENA)

PMVF 70

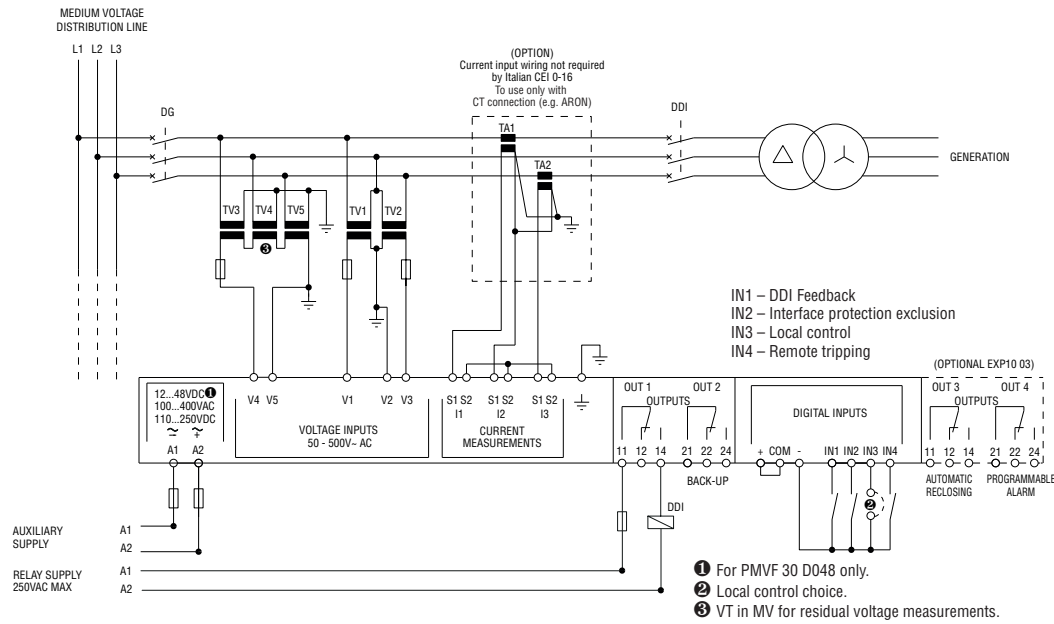
Three-phase connection



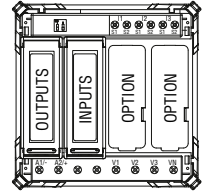
Interface protection system units compliant with Italian CEI 0-16 standard - For medium voltage

PMVF 30...

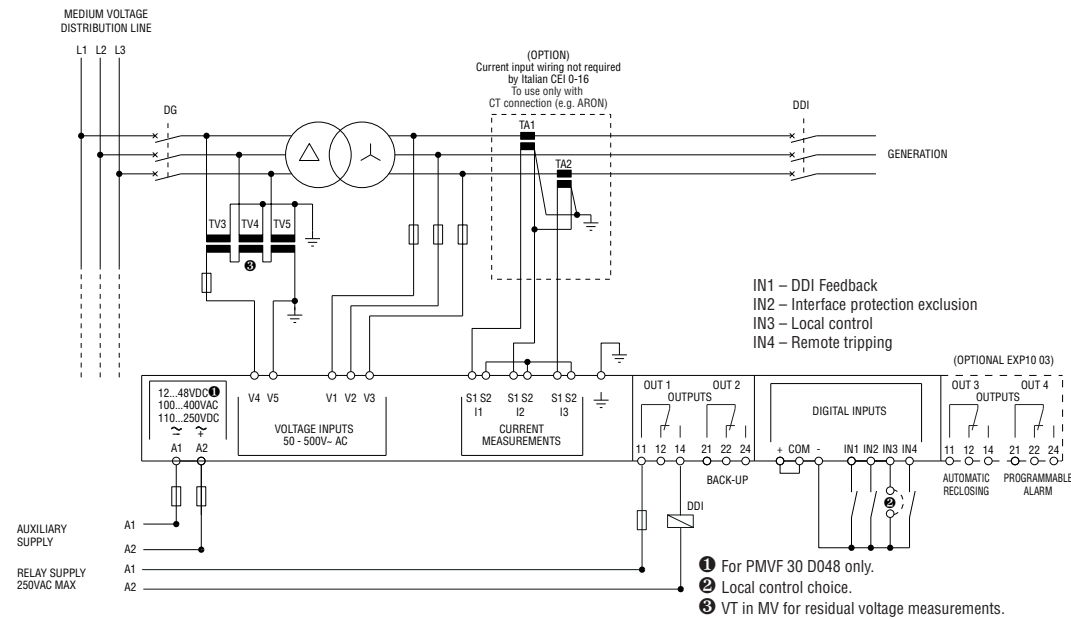
Connection through VTs in Medium Voltage
Three-phase connection



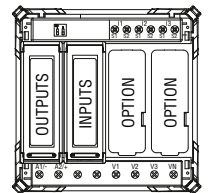
Rear view



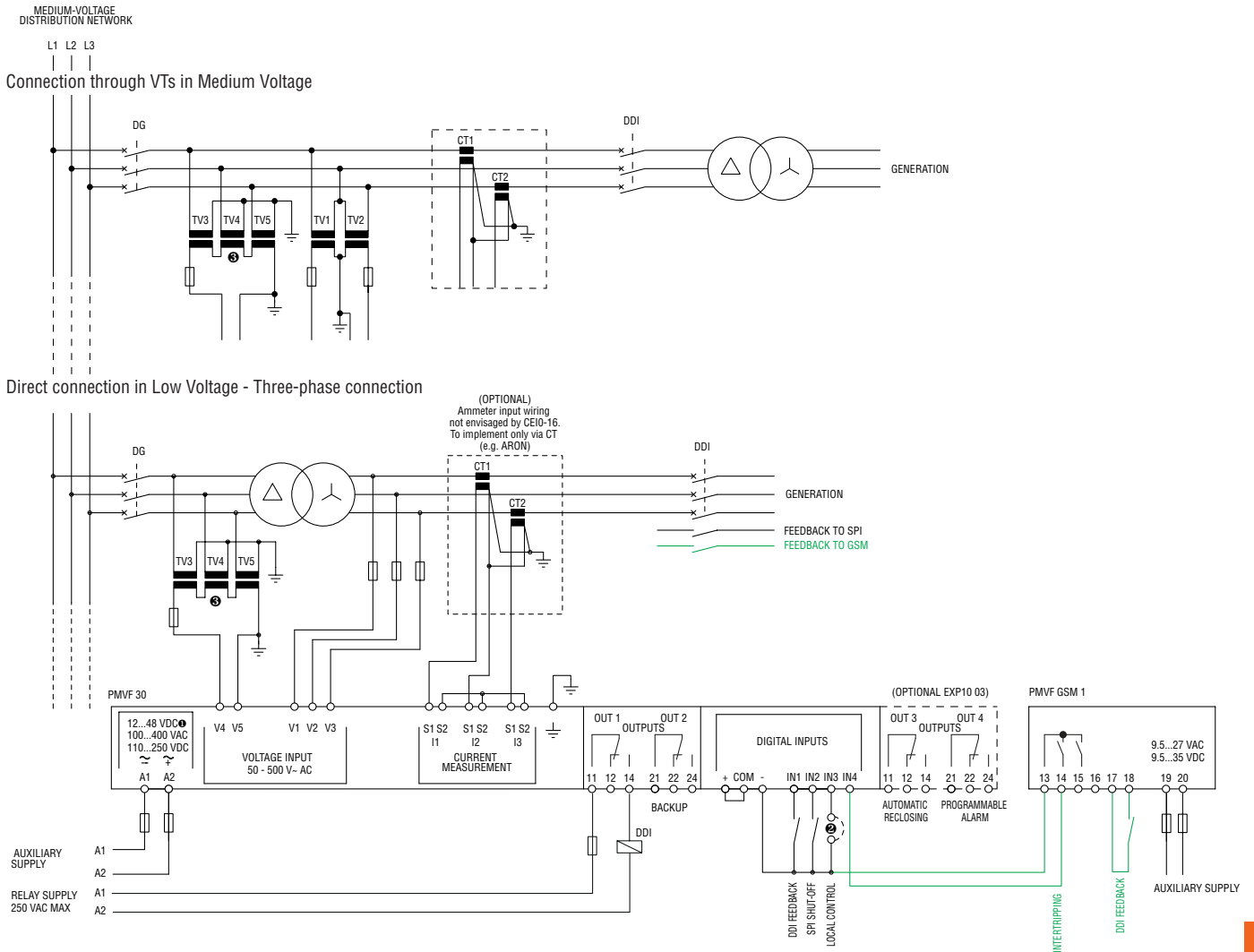
Direct connection in Low Voltage Three-phase connection



Rear view



Interface protection system units compliant with Italian CEI 0-16 standard - For medium voltage
PMVF 30... with PMVF GSM 1

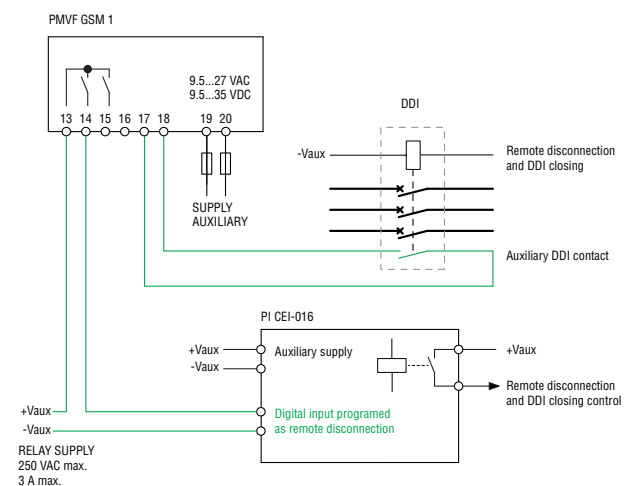
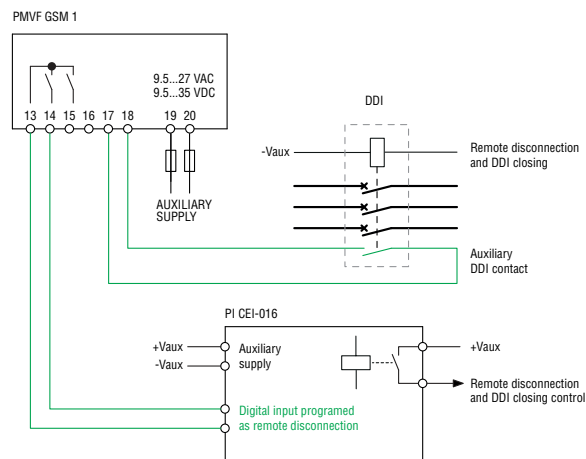


- ❶ For PMVF 30 D048 only.
- ❷ Local control choice.
- ❸ VT in MV for residual voltage measurements.

The connections coloured in GREEN, in addition to the GSM Modem, represent the only wiring necessary for the adaptation.

PMVF GSM 1 modem wiring diagram with other interface protections (PI) with self-supplied remote disconnection input

PMVF GSM 1 modem wiring diagram with other interface protections (PI) with remote disconnection input to be supplied



The connections coloured in GREEN, in addition to the GSM Modem, represent the only wiring necessary for the adaptation.

TYPE	Single phase	PMV55	—	—	—	—	—
	Three phase	—	PMV10	PMV20	PMV30	PMV40	—
	Three phase with/without neutral	—	—	—	—	—	—
DESCRIPTION							
		Minimum and maximum AC voltage	Phase loss and incorrect phase sequence		Minimum AC voltage, phase loss and incorrect phase sequence		Asymmetry, phase loss and incorrect phase sequence
CONTROL CIRCUIT							
Rated voltage to control (Ue)	208...240VAC	208...480VAC	100...240VAC	208...240VAC	208...240VAC		
	380...440VAC		208...575VAC	380...575VAC	380...575VAC		
			380...600VAC	600VAC	600VAC		
Maximum voltage set-point	105...115% Ue	—	—	—	—		
Minimum voltage set-point	80...95% Ue	—	—	80...95% Ue	—		
Asymmetry set-point	—	—	—	—	5...15%Ue		
Minimum and maximum frequency set-point	—	—	—	—	—		
Tripping time	0.1...20s	60ms		0.1...20s			
Resetting time	0.1...20s (0.5s at power up)	0.5s		0.1...20s (0.5s at power up)			
Resetting hysteresis	3%	5%		3%			
Instantaneous tripping for Ue	<70% Ue configured	Umin<70% Umax		<70% Ue configured	<70% minimum Ue		
Repeat accuracy	< ±0.1%	< ±1%		< ±0.1%	< ±0.1%		
POWER SUPPLY							
Auxiliary voltage (Us)	Self powered						
Operating range	0.7...1.2Ue	0.85...1.1Ue		0.7...1.2Ue			
Frequency	50/60Hz ±5%						
Power consumption (maximum)	10VA (208...240VAC)❶ 17VA (380...440VAC)❶	20VA❶	28VA❶	11VA (208...240VAC)❶ 30VA (380...575VAC)❶ 19VA (600VAC)❶			
Power dissipation (maximum)	1.5W	2.2W	2.5W				
RELAY OUTPUTS							
Number of relays	1						
Relay state	Normally energised De-energises at tripping						
Contact arrangement	1 changeover SPDT						
Rated operational voltage	250VAC						
Maximum switching voltage	400VAC						
Conventional free-air thermal current (Ith)	8A						
UL/CSA and IEC/EN 60947-5-1 designation	B300						
Electrical life (with rated load)	10 ⁶ cycles						
Mechanical life	30x10 ⁶ cycles						
Indications	1 green LED for power on and tripping 2 red LEDs for tripping	1 green LED for power on and tripping		1 green LED for power on and tripping 1 red LED for tripping			
CONNECTIONS							
Terminal tightening torque (maximum)	0.8Nm (7lbin; 7...9lbin per UL/CSA)						
Conductor section min...max	0.2...4.0mm ² (24...12AWG; 18...12 AWG per UL/CSA)						
INSULATION (input-output)							
IEC rated insulation voltage Ui	440VAC	480VAC	600VAC				
IEC rated impulse withstand voltage Uimp	6kV						
IEC power frequency withstand voltage	4kV						
AMBIENT CONDITIONS							
Operating temperature	-20...+60°C						
Storage temperature	-30...+80°C						
HOUSING							
Material	Self-extinguishing polyamide						

❶ Power consumption (maximum) at 50Hz.

❷ Contact our Technical support Tel. + 39 035 4282422; E-mail: service@LovatoElectric.com.

	—	—	—	—	—	—	
	PMV50	PMV70	—	—	—	—	
	—	—	PMV50 N	PMV70 N	PMV80 N	PMV95 N	
	Minimum and maximum AC voltage, phase loss and incorrect phase sequence	Minimum and maximum AC voltage, phase loss, incorrect phase sequence and asymmetry	Minimum and maximum AC voltage, phase loss, neutral loss and incorrect phase sequence	Minimum and maximum AC voltage, phase loss, neutral loss, incorrect phase sequence and asymmetry	Minimum and maximum AC voltage and frequency, phase loss, neutral loss and incorrect phase sequence	Minimum and maximum AC voltage and frequency, phase loss, neutral loss, incorrect phase sequence and asymmetry	
	208...240VAC	208...240VAC	208...240VAC	208...240VAC	208...240VAC	208...240VAC	
	380...575VAC	380...440VAC	380...440VAC	380...440VAC	380...440VAC	380...575VAC	
	600VAC	480...600VAC	480...600VAC	480...600VAC	480...600VAC	—	
	105...15% Ue	105...115% Ue	105...115% Ue	105...115% Ue	105...115% Ue	105...115% Ue	
	80...95% Ue	80...95% Ue	80...95% Ue	80...95% Ue	80...95% Ue	80...95% Ue	
	—	5...15% Ue	—	5...15% Ue	—	5...15% Ue	
	—	—	—	—	1...10% rated frequency	1...10% rated frequency	
	0.1...20s				0.1...20s	0.1...5s freq.	0.1...30s
	0.1...20s (0.5s at power up)	0.5s	0.1...20s	0.5s	0.5s	0.1...30s	
	3%	3%	3%	3%	3%	0.5% freq.	programmable [Ⓜ]
	<70% Ue configured < ±0.1%						
	Self powered						
	0.7...1.2Ue						
	50/60Hz ±5%						
	11VA (208...240VAC)Ⓛ 30VA (380...575VAC)Ⓛ 19VA (600VAC)Ⓛ 2.5W			27VA max		Ⓜ	
				1.9W max		Ⓜ	
	1			2		1	
	Normally energised De-energises at tripping						
	1 changeover SPDT			2 changeover SPDT		1 changeover SPDT	
	250VAC						
	400VAC						
	8A						
	B300						
	10 ⁵ cycles						
	30x10 ⁶ cycles						
	1 green LED for power on and tripping 2 red LEDs for tripping	1 green LED for power on and tripping 3 red LEDs for tripping		1 green LED for power on and tripping 2 red LEDs for tripping		1 green LED for power 5 red LEDs for tripping	
	0.8Nm (7lbin; 7...9lbin per UL/CSA - PMV...N excluded)						
	0.2...4.0mm ² (24...12AWG; 18...12 AWG per UL/CSA - PMV...N excluded)						
	600VAC						
	6kV						
	4kV						
	-20...+60°C						
	-30...+80°C						
	Self-extinguishing polyamide						

TYPE	PMA20	PMA30	PMA40
DESCRIPTION	Single-phase maximum current monitoring AC/DC multiscale	Single-phase minimum or maximum current monitoring AC/DC multiscale	Single-phase minimum and maximum current monitoring AC/DC multiscale
CONTROL CIRCUIT			
Rated current to be monitored I _e	5 or 16A		0.02 - 0.05 - 0.25 - 1 - 5 - 16A
Rated frequency	50/60Hz ±5%		
Overload capacity	5 I _e for 1s 160A for 10ms Constant 16A	50mA - 1A inputs	16A input
		5 I _e for 1s 10I _e for 10ms Constant 2I _e	5 I _e for 1s 160A for 10ms Constant 16A
Connection	Direct or by current transformer		
Adjustment	Tripping values	5...100% f.s.	
	Tripping time	0.1...30s	
	Inhibition time	1...60s	
	Resetting hysteresis	1...50%	3% fixed
Resetting	Automatic / Manual		
External input	Resetting / Inhibition		—
Repeat accuracy	±1% with constant parameters		
AUXILIARY SUPPLY			
Auxiliary supply voltage U _s	24...240VAC/DC		
Operating range	0.85...1.1 U _s		
Rated frequency	50/60Hz ±5%		
Power consumption (maximum)	3.2VA	7VA	
Power dissipation (maximum)	1.6W	1.7W	
RELAY OUTPUTS			
Number of relays	1	2	
Relay state	Normally energised / de-energised (selectable)		
Contact arrangement	1 changeover contact SPDT each		
Rated operational voltage	250VAC		
Maximum switching voltage	400VAC		
IEC conventional free air thermal current I _{th}	8A		
UL/CSA and IEC/EN 60947-5-1 designation	B300		
Electrical life (with rated load)	10 ⁵ cycles		
Mechanical life	30x10 ⁶ cycles		
Indications	1 green LED for power on/inhibition 1 red LED for tripping		1 green LED for power on/inhibition 2 red LEDs for max/min tripping
CONNECTIONS			
Tightening torque maximum	0.8Nm (7lbin; 7...9lbin per UL/CSA)		
Conductor section min...max	0.2...4.0mm ² (24...12AWG; 18...12 AWG per UL/CSA)		
INSULATION (input-output)			
IEC rated insulation voltage U _i	415VAC		
IEC rated impulse withstand voltage U _{imp}	4kV		
IEC power frequency withstand voltage	2.5kV		
AMBIENT CONDITIONS			
Operating temperature	-20...+60°C		
Storage temperature	-30...+80°C		
HOUSING			
Material	Self-extinguishing polyamide		

18 Monitoring relays

Technical characteristics

Pump protection and phase shift monitoring relays

TYPE		PMA50
DESCRIPTION		
		Single and three-phase pump protection (motor under-load and over-current control) monitoring for max AC current, min $\cos\varphi$, phase loss and incorrect phase sequence
CURRENT AND $\cos\varphi$ CONTROL CIRCUIT		
Rated current I_e		5 or 16A
Rated frequency		50/60Hz $\pm 5\%$
Overload capacity		5 I_e for 1s 160A for 10ms Constant 16A
Connection		Direct or by current transformer
Adjustments	End-scale value	5 or 16A
	Tripping for MAX current	10...100 I_e
	Tripping for $\cos\varphi$	0.1...0.99 $\cos\varphi$ (MIN)
	Tripping delay	0.1...10s
	Inhibition time	1...60s
	Automatic resetting delay	OFF...100min
External input		Consent for running/resetting
Repeat accuracy		$\pm 1\%$ with constant parameters
VOLTAGE CONTROL CIRCUIT		
Voltage measuring range (U_e)		80...660VAC
Tripping time for phase loss		60ms
AUXILIARY SUPPLY		
Auxiliary supply voltage U_s	220...240VAC	
	380...415VAC (maximum voltage for UL/CSA)	
	440...480VAC	
Operating range		0.85...1.1 U_s
Frequency range		50/60Hz $\pm 5\%$
Power consumption (maximum)		4.5VA
Power dissipation (maximum)		2.3W
RELAY OUTPUTS		
Number of relays		1
Relay state		Normally energised, de-energises at tripping
Contact arrangement		1 changeover contact SPDT each
Rated operational voltage		250VAC
Maximum switching voltage		400VAC
IEC conventional free air thermal current I_{th}		8A
UL/CSA and IEC/EN 60947-5-1 designation		B300
Electrical life (With rated load)		10^5 cycles
Mechanical life		30×10^6 cycles
Indications		1 green LED for power on/inhibition 2 red LEDs for minimum/maximum tripping
CONNECTIONS		
Tightening torque maximum		0.8Nm (7lbin)
Conductor section min...max		0.2...4.0mm ² (24...12AWG; 18...12 AWG per UL/CSA)
INSULATION (input-output)		
IEC rated insulation voltage U_i		600VAC
IEC rated impulse withstand voltage U_{imp}		6kV
IEC power frequency withstand voltage		2.5kV
AMBIENT CONDITIONS		
Operating temperature		-20...+60°C
Storage temperature		-30...+80°C
HOUSING		
Material		Self-extinguishing polyamide

TYPE	PMF20	
DESCRIPTION	Single-phase minimum and maximum frequency control	
FREQUENCY CONTROL CIRCUIT		
Rated frequency	50 or 60Hz selectable	
Operating frequency range	40...70Hz	
Adjustment	MAX tripping	101...110% operating frequency
	MIN tripping	90...99% operating frequency
	Resetting hysteresis	0.5%
	Inhibition time	0.1...20s
	Reset delay	0.1...20s
Resetting	Automatic	
Repeat accuracy	< ±0.1%	
AUXILIARY SUPPLY		
Auxiliary supply voltage U_s	220...240VAC	
	380...415VAC	
Operating range	0.85...1.1 U_s	
Rated frequency	50/60Hz	
Power consumption (maximum)	10VA (220...240VAC); 17VA (380...415VAC)	
Power dissipation (maximum)	1.5W	
RELAY OUTPUTS		
Number of relays	1	
Relay state	Normally energised, de-energises at tripping ^①	
Contact arrangement	1 changeover contact SPDT	
Rated operational voltage	250VAC	
Maximum switching voltage	400VAC	
IEC conventional free air thermal current I_{th}	8A	
UL/CSA and IEC/EN 60947-5-1 designation	B300	
Electrical life (with rated load)	10 ⁵ cycles	
Mechanical life	30x10 ⁶ cycles	
Indications	1 green LED for power on/tripping 2 red LEDs for min-max tripping	
CONNECTIONS		
Tightening torque maximum	0.8Nm (7lbin)	
Conductor section min-max	0.2...4.0mm ² (24...12AWG)	
INSULATION (input - output)		
IEC rated insulation voltage U_i	575VAC	
IEC rated impulse withstand voltage U_{imp}	6kV	
IEC power frequency withstand voltage	4kV	
AMBIENT CONDITIONS		
Operating temperature	-20...+60°C	
Storage temperature	-30...+80°C	
HOUSING		
Material	Self-extinguishing polyamide	

① Normally de-energised, energises at tripping with MAX function configured.

TYPE	PMVF 20	PMVF 20 D048
AUXILIARY POWER SUPPLY		
Rated control supply voltage U_s	100...400VAC/110...250VDC	12...48VDC
Operating limits	90...440VAC/93.5...300VDC	9...70VDC
Frequency	45...55Hz	—
Power consumption	AC supply	6VA at 110VAC; 8VA at 230VAC; 11VA at 400VAC
	DC supply	25mA at 110VDC; 11mA at 250VDC
Power dissipation	AC supply	2.7W at 110VAC; 3W at 220V; 3.9W at 400VAC
	DC supply	2.6W at 110VAC; 2.8W at 250VDC
Micro-breaking immunity	≤ 50 ms at 110VAC ; ≤ 200 ms at 230VAC	≤ 15 ms at 12VDC; ≤ 30 ms at 24VDC; ≤ 70 ms at 48VDC
Overload category	III	III
VOLTAGE INPUTS		
Maximum rated operating voltage	400VAC L-L; 230VAC L-N 50Hz	
Measuring range	20...480VAC L-L; 10...276VAC L-N	
Frequency range	45...55Hz	
Overload category	IV	
CURRENT INPUTS (OPTIONAL)		
Rated operational current I_e	1A or 5A in AC programmable	
Measuring range	For 1A scale: 0.01...1.2A; for 5A scale: 0.01...6A	
Type of input	Shunts powered by external current transformer (low voltage) 5A max.	
Type of measurement	RMS	
Overload capacity	$\pm 20\%$ I_e	
Overload peak	50A for 1 second	
Burden (per phase)	≤ 0.6 W	
RELAY OUTPUTS		
Number of outputs	2	
Type of output	1 changeover contact/SPDT each	
Rated operating voltage	250VAC	
UL/CSA and IEC/EN 60947-5-1 designation	5A 250VAC AC1 /B300 ; 5A 30VDC	
Overload category	III	
DIGITAL INPUTS		
Number and type of inputs	4 negative (NPN)	
Input voltage	24VDC isolated	
Input current	7mA	
SUPPLY/VOLTAGE MEASURING CIRCUIT CONNECTIONS		
Type of terminals	Screw - removable	
Conductor section (min...max)	0.2...2.5mm ² (24...12 AWG)	
Tightening torque	0.5Nm (4.5lbin)	
CURRENT MEASURING CIRCUIT CONNECTIONS		
Type of terminals	Screw - fixed	
Number of terminals	6 for external CT connections	
Conductor section (min...max)	0.2...4mm ² (26...10 AWG)	
Tightening torque	0.8Nm (7lbin)	
RELAY OUTPUT CONNECTIONS		
Type of terminals	Screw - removable	
Conductor section (min...max)	0.2...2.5 mm ² (24...12 AWG)	
Tightening torque	0.5Nm (4.5 lbin)	
INPUT CONNECTIONS – Input terminals		
Type of terminals	Screw - removable	
Conductor section (min...max)	0.2...1.5 mm ² (28...14 AWG)	
Tightening torque	0.18Nm (1.7lbin)	
INPUT CONNECTIONS – COM and auxiliary voltage terminals		
Type of terminals	Screw - removable	
Conductor section (min...max)	0.2...2.5 mm ² (24...12 AWG)	
Tightening torque	0.5Nm (4.5lbin)	
HOUSING		
Material	Polyamide	
Version	Flush mount 96x96mm / 3.78x3.78"	

TYPE	PMVF 51 - PMVF 60 - PMVF 70
AUXILIARY POWER SUPPLY	
Rated control supply voltage U_s	100...240VAC/110...250VDC
Operating limits	85...264VAC/93.5...300VDC
Frequency	45...55Hz
Power consumption	AC supply 4.6VA at 110VAC; 12.5VA at 230VAC DC supply 23mA at 110VDC; 11mA 250VDC
Power dissipation	AC supply 2.5W at 110VAC; 2.7W at 230VAC DC supply 2.3W at 110VDC; 2.5W at 250VDC
Micro-breaking immunity	≤ 50 ms at 100VDC; ≤ 200 ms at 240VDC
Overload category	II
VOLTAGE INPUTS	
Maximum rated operating voltage	400VAC L-L; 230VAC L-N 50Hz
Measuring range	20...480VAC L-L; 10...276VAC L-N
Frequency range	45...55Hz
Overload category	IV
CURRENT INPUTS (OPTIONAL)	
Rated operational current I_e	1A or 5A in AC programmable
Measuring range	For 1A scale: 0.01...1.2A; for 5A scale: 0.01...6A
Type of measurement	RMS
Overload capacity	$\pm 20\%$ I_e
Overload peak	50A for 1 second
Burden (per phase)	≤ 0.6 W
RELAY OUTPUTS	
Number of outputs	2 ^①
Type of output	1 changeover contact/SPDT each
Rated operating voltage	250VAC
UL/CSA and IEC/EN 60947-5-1 designation	For NO contact: 5A 250VAC AC1/C300; 5A 30VDC For NC contact: 2A 250VAC AC1 / C300; 2A 30VDC
Overload category	II
DIGITAL INPUTS	
Number and type of inputs	4 positive (PNP)
Input voltage	12VDC isolated
Input current	7mA
SUPPLY/VOLTAGE MEASURING CIRCUIT CONNECTIONS	
Type of terminals	Screw - removable
Conductor section (min...max)	0.2...4mm ² (24...12 AWG)
Tightening torque	0.8Nm (4.5lbin)
CURRENT MEASURING CIRCUIT CONNECTIONS	
Type of terminals	Screw - fixed
Number of terminals	6 for external CT connections
Conductor section (min...max)	0.2...2.5mm ² (24...12 AWG)
Tightening torque	0.44Nm (4lbin)
RELAY OUTPUT CONNECTIONS	
Type of terminals	Screw - removable
Conductor section (min...max)	0.2...2.5 mm ² (24...12 AWG)
Tightening torque	0.44Nm (4lbin)
INPUT CONNECTIONS – Input terminals	
Type of terminals	Screw - removable
Conductor section (min...max)	0.2...2.5 mm ² (24...12 AWG)
Tightening torque	0.5Nm (4.5lbin)
HOUSING	
Material	Polyamide
Version	Modular 6U

① Single insulation between the two outputs. Both outputs must use the same voltage group.

18 Monitoring relays

Technical characteristics

Interface protection system units

TYPE	PMVF 30
AUXILIARY POWER SUPPLY	
Rated control supply voltage U_s	100...400VAC/110...250VDC
Operating limits	90...440VAC/93.5...300VDC
Frequency	45...55Hz
Power consumption	AC supply 7.5VA at 110VAC; 10VA at 230VAC; 14VA at 400VAC
	DC supply 35mA at 110VDC; 14mA at 250VDC
Power dissipation	AC supply 4W at 110VAC; 4.2W at 220V; 5W at 400VAC
	DC supply 3.8W at 110VAC; 4W at 250VDC
Micro-breaking immunity	≤ 30 ms at 110VAC ; ≤ 140 ms at 230VAC
Overload category	III
VOLTAGE INPUTS	
Maximum rated operating voltage	50...500VAC (for voltages/frequency) / 50...150V (for residual voltage measurement)
Measuring range (U_n)	400-150,000V (VT primary)
Frequency range	45...55Hz
Overload category	IV
CURRENT INPUTS (OPTIONAL)	
Rated operational current I_e	1A or 5A in AC programmable
Measuring range	For 1A scale: 0.01...1.2A; for 5A scale: 0.01...6A
Type of input	Shunts powered by external current transformer (low voltage) 5A max.
Type of measurement	RMS
Overload capacity	$\pm 100\%$ I_e
Overload peak	50A for 1 second
Burden (per phase)	≤ 0.3 W
RELAY OUTPUTS	
Number of outputs	2
Type of output	1 changeover contact/SPDT each
Rated operating voltage	250VAC
UL/CSA and IEC/EN 60947-5-1 designation	5A 250VAC AC1 /B300; 5A 30VDC
Overload category	III
DIGITAL INPUTS	
Number and type of inputs	4 negative (NPN)
Input voltage	24VDC isolated
Input current	7mA
SUPPLY/VOLTAGE MEASURING CIRCUIT CONNECTIONS	
Type of terminals	Screw - removable
Number of terminals	2 for power supply; 5 for voltage control
Conductor section (min...max)	0.2...2.5mm ² (24...12 AWG)
Tightening torque	0.5Nm (4.5lbin)
CURRENT MEASURING CIRCUIT CONNECTIONS	
Type of terminal	Screw - fixed
Number of terminals	6 for external CT connections
Conductor section (min...max)	0.2...4mm ² (26...10 AWG)
Tightening torque	0.8Nm (7lbin)
RELAY OUTPUT CONNECTIONS	
Type and (number) of terminals	Screw - removable (3)
Conductor section (min...max)	0.2...2.5 mm ² (24...12 AWG)
Tightening torque	0.5Nm (4.5 lbin)
INPUT CONNECTIONS – Input terminals	
Type and (number) of terminals	Screw – removable (4)
Conductor section (min...max)	0.2...1.5 mm ² (28...14 AWG)
Tightening torque	0.18Nm (1.7lbin)
INPUT CONNECTIONS – COM and auxiliary voltage terminals	
Type and (number) of terminals	Screw – removable (3)
Conductor section (min...max)	0.2...2.5 mm ² (24...12 AWG)
Tightening torque	0.5Nm (4.5lbin)
HOUSING	
Material	Polyamide
Version	Flush mount 96x96mm / 3.78x3.78"