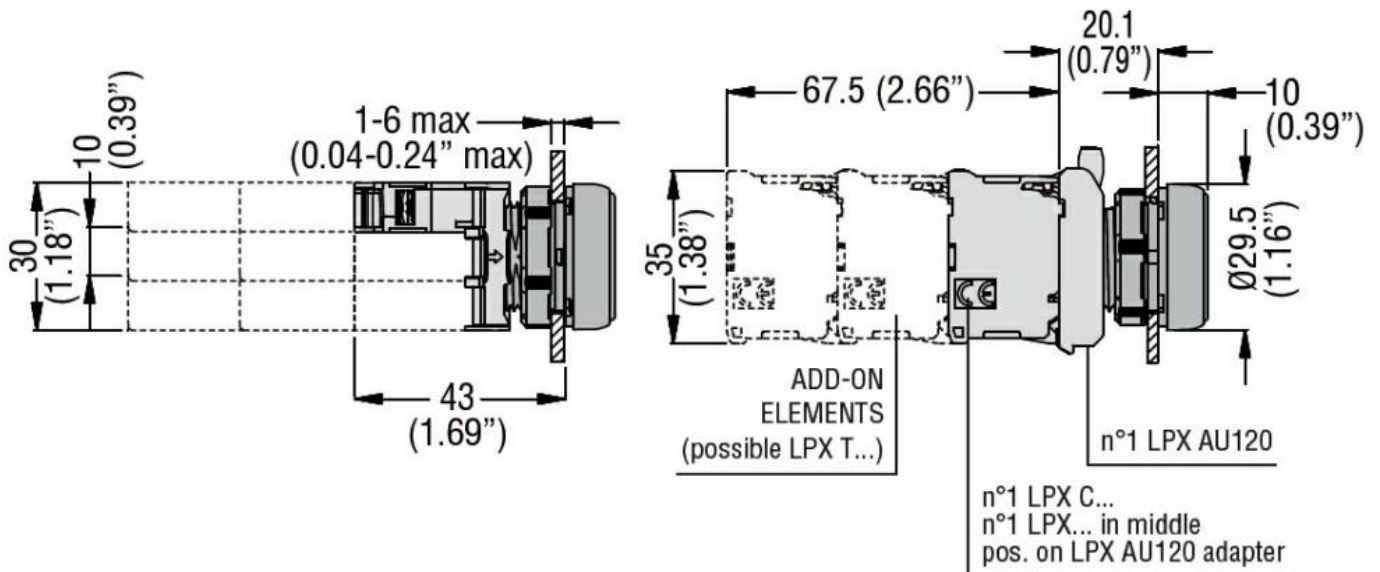


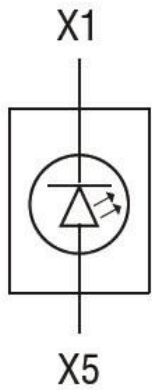


Product designation	LED elements steady light	
Product type designation	LPXLP	
<b>General characteristics</b>		
Colour	Green	
<b>Electrical characteristics</b>		
Supply voltage (AC)	V	85...140
<b>Operations</b>		
Electrical life	hours	100000
<b>Mechanical features</b>		
Tightening torque for terminals max	Nm	1
Conductor section		
AWG/kcmil conductor section	max	12
IEC	max	mm <sup>2</sup> 1 or 2 / 2.5
Mounting adapter	LPXAU120	
Weight	g	16
<b>Ambient conditions</b>		
Temperature		
Operating temperature	min °C	-25
	max °C	+70
Storage temperature	min °C	-40
	max °C	+85

**Dimensions**



**Wiring diagrams**



## Certifications and compliance

### Compliance

CSA C22.2 n° 14

IEC/EN 60947-1

IEC/EN 60947-5-1

UL508

### Certificates

CCC

cULus

EAC

RINA

UL