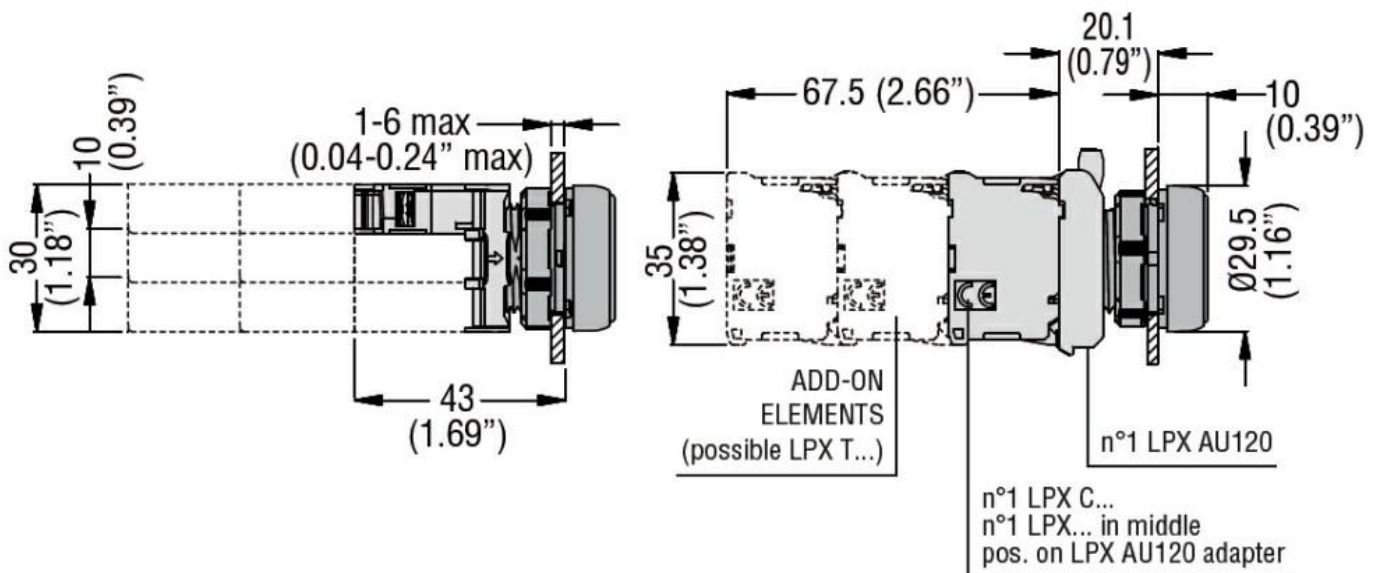


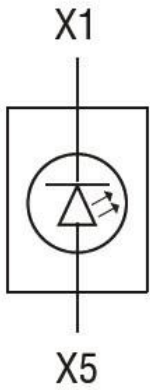


|                                     |                                 |                 |              |
|-------------------------------------|---------------------------------|-----------------|--------------|
| Product designation                 | LED elements steady light LPXLP |                 |              |
| Product type designation            | LPXLP                           |                 |              |
| <b>General characteristics</b>      |                                 |                 |              |
| Colour                              | Blue                            |                 |              |
| <b>Electrical characteristics</b>   |                                 |                 |              |
| Supply voltage (AC)                 | V                               | 12...30         |              |
| Supply voltage (DC)                 | V                               | 12...30         |              |
| <b>Operations</b>                   |                                 |                 |              |
| Electrical life                     | hours                           | 100000          |              |
| <b>Mechanical features</b>          |                                 |                 |              |
| Tightening torque for terminals max | Nm                              | 1               |              |
| Conductor section                   | AWG/kcmil conductor section     |                 |              |
|                                     | max                             | 12              |              |
|                                     | IEC                             |                 |              |
|                                     | max                             | mm <sup>2</sup> | 1 or 2 / 2.5 |
| Mounting adapter                    | LPXAU120                        |                 |              |
| Weight                              | g                               | 16              |              |
| <b>Ambient conditions</b>           |                                 |                 |              |
| Temperature                         | Operating temperature           |                 |              |
|                                     | min                             | °C              | -25          |
|                                     | max                             | °C              | +70          |
|                                     | Storage temperature             |                 |              |
|                                     | min                             | °C              | -40          |
|                                     | max                             | °C              | +85          |

**Dimensions**



### Wiring diagrams



### Certifications and compliance

#### Compliance

CSA C22.2 n° 14

IEC/EN 60947-1

IEC/EN 60947-5-1

UL508

#### Certificates

CCC

cULus

EAC

RINA

UL