

Mounting adapters



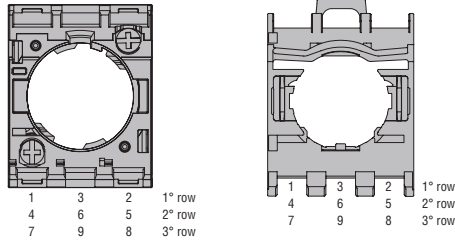
LPXAU120M



LPXAU120

Order code	Description	Qty per pkg	Wt
		n°	[kg]
LPXAU120M	Mounting adapter for metal actuators (LPS... and LPF...)	10	0.019
LPXAU120	Mounting adapter for chromed plastic actuators (LPC...)	10	0.004

Rear view
(reference for element installation)



Mounting adapters with contact elements



LPXE...M



LPXE...

Order code	Function	Qty per pkg	Wt
		n°	[kg]

Screw terminals contact elements. For metal actuators LPS... and LPF... With LPXAU120M mounting adapter.

LPXE10M		5	0.030
LPXE01M		5	0.030

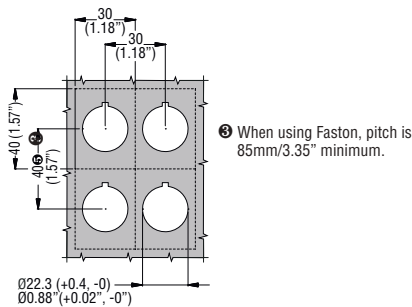
Screw terminals contact elements. For chromed plastic actuators LPC... With LPXAU120 mounting adapter.

LPXE10		10	0.015
LPXE01		10	0.015

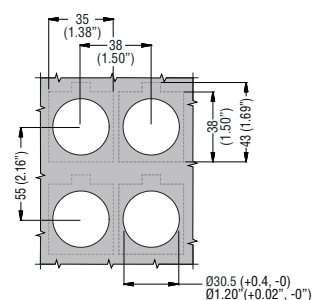
- Use LPXC10A (EM) or LPXC01 (NC) type only with push-push actuators. Not suitable for push-push actuators.
- Direct (positive) opening action in accordance with IEC/EN/BS 60947-5-1.

Drillings

Minimum recommended distances for Ø22mm/0.87" actuators.



Minimum recommended distances for Ø30mm/1.18" actuators.



Operational characteristics

- Any mounting position allowed
- For LPXAU120M: the base is fixed to the mounting surface by 2 screws incorporated in the base (Tmax = 0.7Nm/6.1lb.in)
- Ambient conditions:
 - Operating temperature: -25...+70°C
 - Storage temperature: -40...+85°C.

Certifications and compliance

Certifications: EAC, cULus, CCC, RINA.
Compliant with standards: IEC/EN/BS 60947-1, IEC/EN/BS 60947-5-1, UL508, CSA C22.2 n° 14.