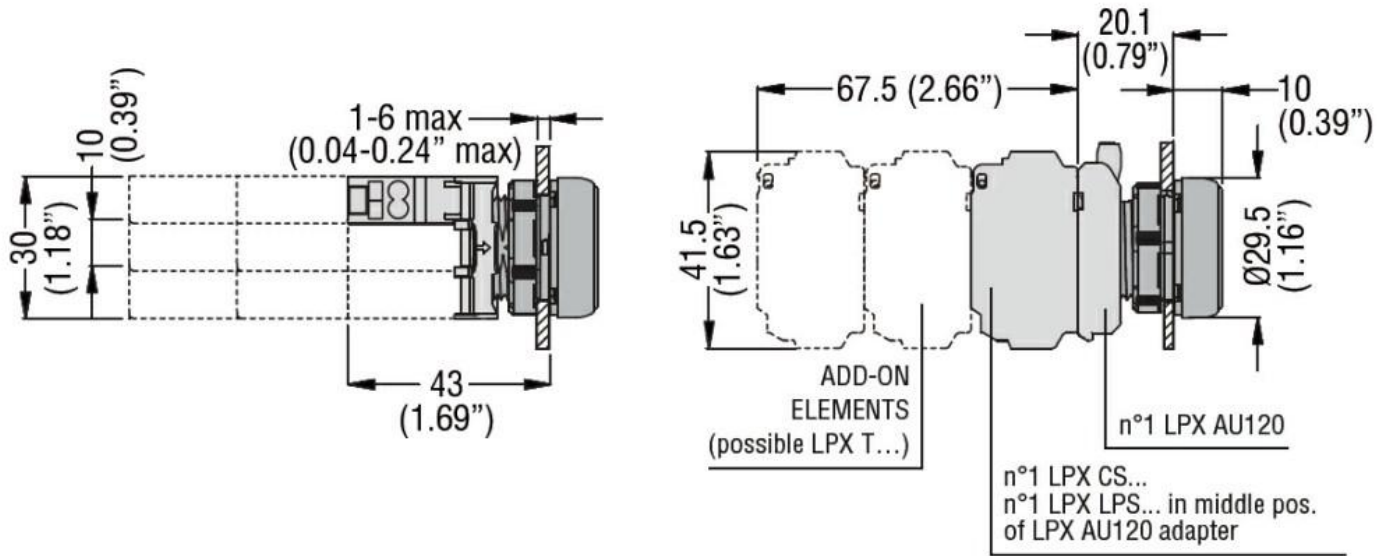
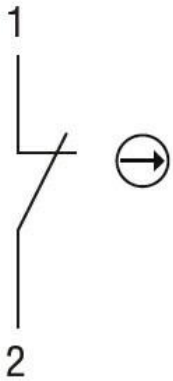




Product designation				Contact elements with spring-clamp terminals
Product type designation				LPXCS
<b>Electrical characteristics</b>				
Rated insulation voltage $U_i$ IEC/EN	V			690
IEC Conventional free air thermal current $I_{th}$	A			10
Conductivity				1mA 5V
Operating current AC15				
	12V	A	6	
	24V	A	6	
	48V	A	6	
	120V	A	6	
	240V	A	3	
	400V	A	1.9	
	480V	A	1.5	
	500V	A	1.4	
	600V	A	1.2	
Operating current DC13				
	12V	A	3	
	24V	A	3	
	48V	A	1.5	
	125V	A	0.55	
	250V	A	0.27	
	440V	A	0.15	
	500V	A	0.13	
	600V	A	0.1	
Contact resistance		mΩ	≤20	
<b>Operations</b>				
Electrical life		hours	1000000	
<b>Mechanical features</b>				
Operating force		kg-lb	≤0.5kg/1.1lb	
Terminals screw			Spring clamps	
Mounting adapter			LPXAU120	
Weight		g	10	
<b>Ambient conditions</b>				
Temperature				
Operating temperature				
	min	°C	-25	
	max	°C	+70	
Storage temperature				
	min	°C	-40	
	max	°C	+85	
<b>Dimensions</b>				



Wiring diagrams



Certifications and compliance

Compliance

CSA C22.2 n° 14  
IEC/EN 60947-1  
IEC/EN 60947-5-1  
UL508

Certificates

CCC  
cULus  
EAC  
RINA  
UL