



Product designation

Contact elements  
- without mountin  
adapter  
LPXC

Product type designation

**Operations**

Electrical life hours 600000

**Mechanical features**

Operating force kg-lb ≤0.5Kg/1.1lb

Tightening torque for terminals max Nm 1

Terminals screw Screw

Conductor section

AWG/kcmil conductor section

max 14

IEC

max mm<sup>2</sup> 1 or 2 / 2.5

Mounting adapter

LPXAU120

Weight

g 11

**Ambient conditions**

Temperature

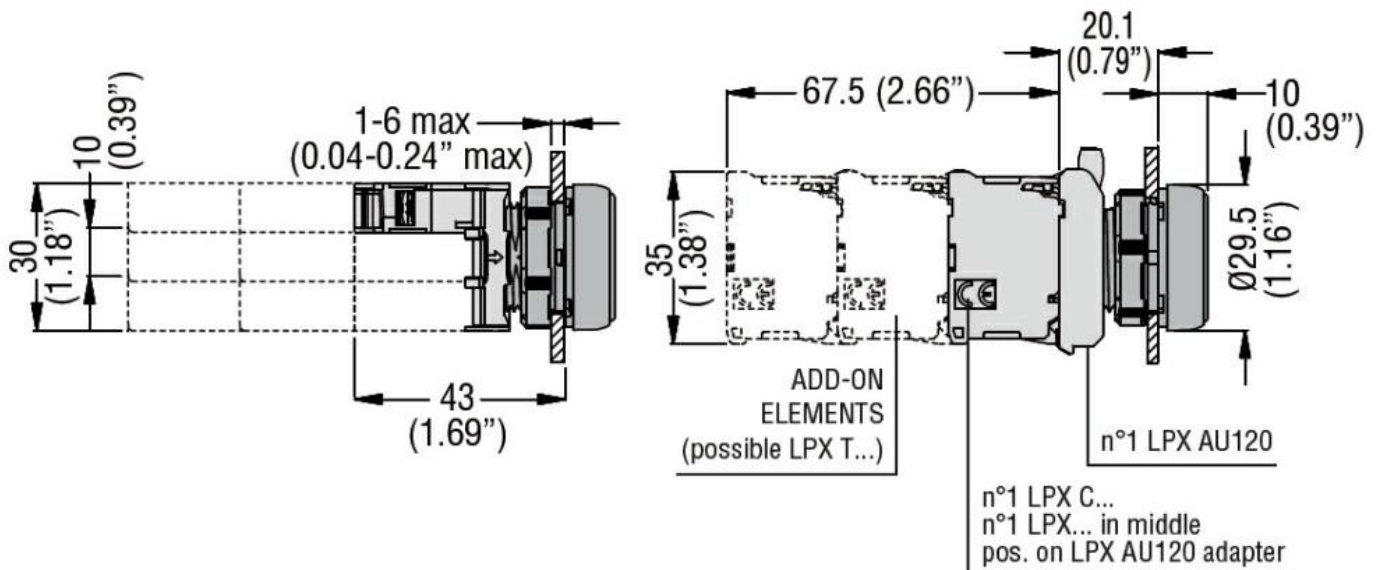
Operating temperature

min °C -25  
max °C +70

Storage temperature

min °C -40  
max °C +85

**Dimensions**



**Wiring diagrams**



### Certifications and compliance

#### Compliance

CSA C22.2 n° 14  
IEC/EN 60947-1  
IEC/EN 60947-5-1  
UL508

#### Certificates

CCC  
cULus  
EAC  
RINA