



Product designation

Contact elements
- without mountin
adapter
LPXC

Product type designation

Operations

Electrical life hours 1000000

Mechanical features

Operating force kg-lb ≤0.5Kg/1.1lb

Tightening torque for terminals max Nm 1

Terminals screw Screw

Conductor section

AWG/kcmil conductor section

max 14

IEC

max mm² 1 or 2 / 2.5

Mounting adapter

LPXAU120

Weight

g 11

Ambient conditions

Temperature

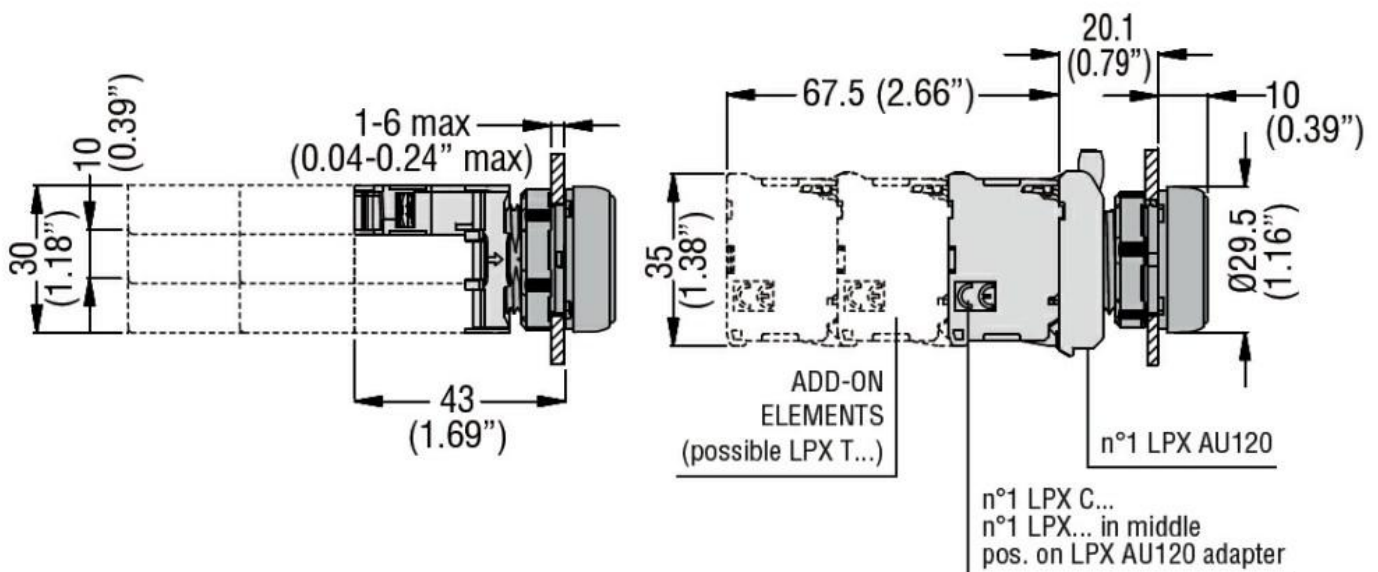
Operating temperature

min °C -25
max °C +70

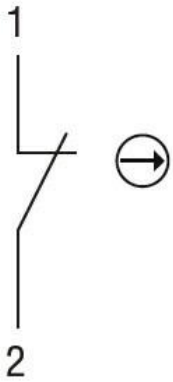
Storage temperature

min °C -40
max °C +85

Dimensions



Wiring diagrams



Certifications and compliance

Compliance

CSA C22.2 n° 14

IEC/EN 60947-1

IEC/EN 60947-5-1

UL508

Certificates

CCC

cULus

EAC

RINA

UL