



Product designation

Illuminated  
selector switch  
actuator - 3  
position  
LPCSL13

Product type designation

**General characteristics**

Colour	Green
Type of positions	1 - 0 - 2
Material	Polyamide
IEC degree of protection	IP66, IP67 and IP69K

**Mechanical features**

Operating force	kg-lb	<0.5Kg / 1.1lb
Mounting adapter		LPXAU120
Weight	g	25

**UL technical data**

UL degree of protection	Type1, 2, 3R, 4, 4X, 12, 12K
-------------------------	------------------------------

**Ambient conditions**

Temperature

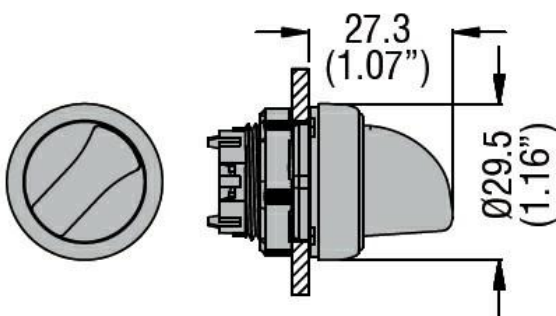
Operating temperature

min	°C	-25
max	°C	+70

Storage temperature

min	°C	-40
max	°C	+85

**Dimensions**



**Certifications and compliance**

Compliance

CSA C22.2 n° 14  
IEC/EN 60947-1  
IEC/EN 60947-5-1  
UL508

Certificates

CCC  
cULus

---

EAC

---

RINA