



Product designation

Illuminated
selector switch
actuator - 2
position
LPCSL12

Product type designation

General characteristics

| | |
|--------------------------|----------------------|
| Colour | Yellow |
| Type of positions | 0 < 1 |
| Material | Polyamide |
| IEC degree of protection | IP66, IP67 and IP69K |

Mechanical features

| | | |
|------------------|-------|----------------|
| Operating force | kg-lb | <0.5Kg / 1.1lb |
| Mounting adapter | | LPXAU120 |
| Weight | g | 25 |

UL technical data

| | |
|-------------------------|------------------------------|
| UL degree of protection | Type1, 2, 3R, 4, 4X, 12, 12K |
|-------------------------|------------------------------|

Ambient conditions

Temperature

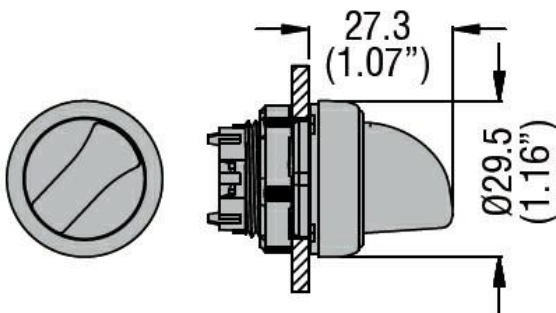
Operating temperature

| | | |
|-----|----|-----|
| min | °C | -25 |
| max | °C | +70 |

Storage temperature

| | | |
|-----|----|-----|
| min | °C | -40 |
| max | °C | +85 |

Dimensions



Certifications and compliance

Compliance

CSA C22.2 n° 14
IEC/EN 60947-1
IEC/EN 60947-5-1
UL508

Certificates

CCC
cULus

EAC

RINA