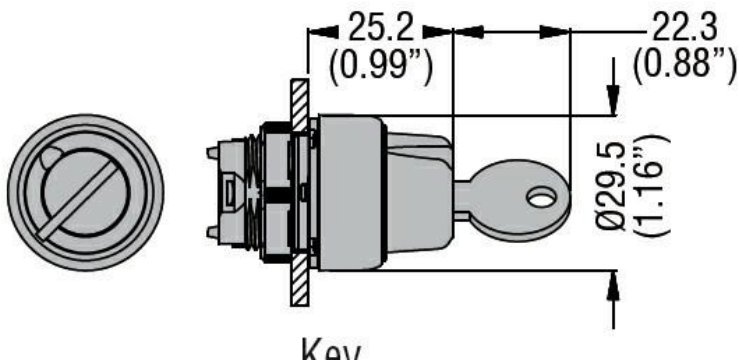




Product designation	Selector switch actuator key - 3 position		
Product type designation	LPCS39		
General characteristics			
Type of positions	1 - 0 < 2, key extraction in 1		
Material	Polyamide		
IEC degree of protection	IP66, IP67 and IP69K		
Mechanical features			
Mechanical life	cycles	1000000	
Mounting adapter	LPXAU120		
Weight	g	60	
UL technical data			
UL degree of protection	Type1, 2, 3R, 4, 4X, 12, 12K		
Ambient conditions			
Temperature			
Operating temperature		min	°C -25
		max	°C +70
Storage temperature		min	°C -40
		max	°C +85

Dimensions



Certifications and compliance

Compliance	
	CSA C22.2 n° 14
	IEC/EN 60947-1
	IEC/EN 60947-5-1
	UL508
Certificates	
	CCC
	cULus

