



Product designation

Selector switch  
actuator key - 3  
position  
LPCS39

Product type designation

**General characteristics**

Type of positions

Spring return

Material

Polyamide

IEC degree of protection

IP66, IP67 and  
IP69K

**Mechanical features**

Mechanical life

cycles 1000000

Mounting adapter

LPXAU120

Weight

g 60

**UL technical data**

UL degree of protection

Type1, 2, 3R, 4,  
4X, 12, 12K

**Ambient conditions**

Temperature

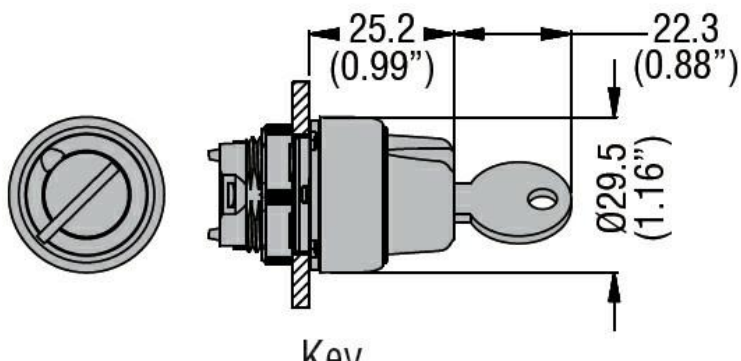
Operating temperature

min	°C	-25
max	°C	+70

Storage temperature

min	°C	-40
max	°C	+85

**Dimensions**



**Certifications and compliance**

Compliance

CSA C22.2 n° 14

IEC/EN 60947-1

IEC/EN 60947-5-1

UL508

Certificates

CCC

cULus