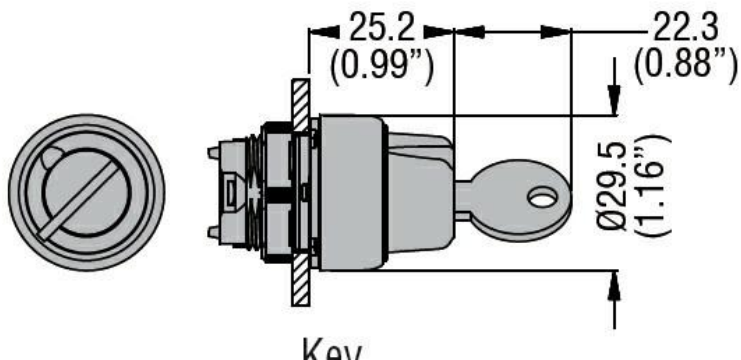




| | | | |
|--------------------------------|---|---------|-----|
| Product designation | Selector switch actuator key - 3 position | | |
| Product type designation | LPCS33 | | |
| General characteristics | | | |
| Type of positions | 1 - 0 - 2, key extraction in 2 | | |
| Material | Polyamide | | |
| IEC degree of protection | IP66, IP67 and IP69K | | |
| Mechanical features | | | |
| Mechanical life | cycles | 1000000 | |
| Mounting adapter | LPXAU120 | | |
| Weight | g | 60 | |
| UL technical data | | | |
| UL degree of protection | Type1, 2, 3R, 4, 4X, 12, 12K | | |
| Ambient conditions | | | |
| Temperature | | | |
| Operating temperature | | | |
| | min | °C | -25 |
| | max | °C | +70 |
| Storage temperature | | | |
| | min | °C | -40 |
| | max | °C | +85 |

Dimensions



Certifications and compliance

| | |
|--------------|------------------|
| Compliance | |
| | CSA C22.2 n° 14 |
| | IEC/EN 60947-1 |
| | IEC/EN 60947-5-1 |
| | UL508 |
| Certificates | |
| | CCC |
| | cULus |

