



Selector switch  
actuators long  
lever - 3 position  
LPCS23

Product designation

Product type designation

**General characteristics**

Type of positions	Spring return
Material	Polyamide
IEC degree of protection	IP66, IP67 and IP69K

**Mechanical features**

Mechanical life	cycles	1000000
Mounting adapter		LPXAU120
Weight	g	40

**UL technical data**

UL degree of protection	Type1, 2, 3R, 4, 4X, 12, 12K
-------------------------	------------------------------

**Ambient conditions**

Temperature

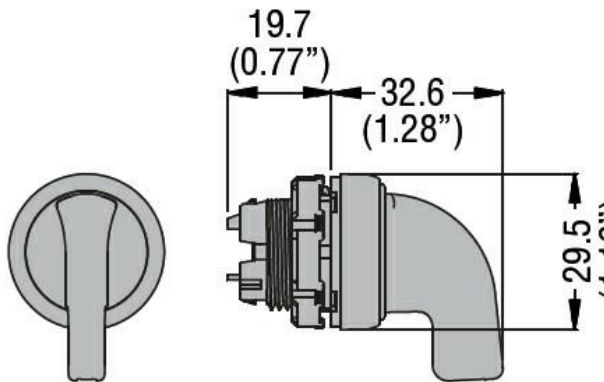
Operating temperature

min	°C	-25
max	°C	+70

Storage temperature

min	°C	-40
max	°C	+85

**Dimensions**



**Certifications and compliance**

Compliance

- CSA C22.2 n° 14
- IEC/EN 60947-1
- IEC/EN 60947-5-1
- UL508

Certificates

- CCC
- cULus