



Product designation

Selector switch
actuators lever -
3 position
LPCS13

Product type designation

General characteristics

Type of positions

Spring return

Material

Polyamide

IEC degree of protection

IP66, IP67 and
IP69K

Mechanical features

Mechanical life

cycles 1000000

Operating position

allowable

Any

Mounting adapter

LPXAU120

Weight

g 37

UL technical data

UL degree of protection

Type1, 2, 3R, 4,
4X, 12, 12K

Ambient conditions

Temperature

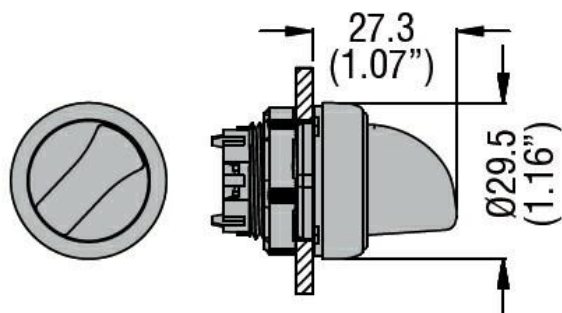
Operating temperature

min	°C	-25
max	°C	+70

Storage temperature

min	°C	-40
max	°C	+85

Dimensions



Certifications and compliance

Compliance

CSA C22.2 n° 14
IEC/EN 60947-1
IEC/EN 60947-5-1
UL508

Certificates

CCC
cULus

