



Product designation

Selector switch
actuators lever -
3 position
LPCS13

Product type designation

General characteristics

| | |
|--------------------------|----------------------|
| Type of positions | Maintained |
| Material | Polyamide |
| IEC degree of protection | IP66, IP67 and IP69K |

Mechanical features

| | | |
|--------------------|-----------|----------|
| Mechanical life | cycles | 1000000 |
| Operating position | allowable | Any |
| Mounting adapter | | LPXAU120 |
| Weight | g | 37 |

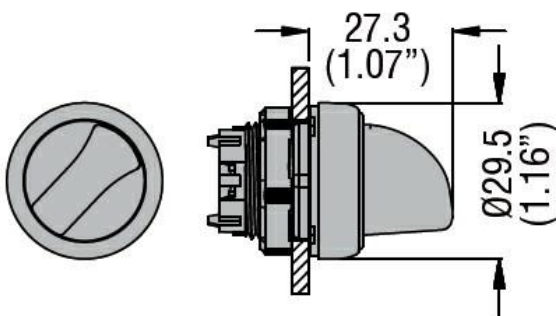
UL technical data

| | |
|-------------------------|------------------------------|
| UL degree of protection | Type1, 2, 3R, 4, 4X, 12, 12K |
|-------------------------|------------------------------|

Ambient conditions

| | | | | |
|-------------|-----------------------|-----|----|-----|
| Temperature | Operating temperature | min | °C | -25 |
| | | max | °C | +70 |
| | Storage temperature | min | °C | -40 |
| | | max | °C | +85 |

Dimensions



Certifications and compliance

| | |
|------------|------------------|
| Compliance | CSA C22.2 n° 14 |
| | IEC/EN 60947-1 |
| | IEC/EN 60947-5-1 |
| | UL508 |

| | |
|--------------|-------|
| Certificates | CCC |
| | cULus |

