



Product designation	Mechanical reset buttons, complete unit, spring return LPCR10
Product type designation	LPCR10

General characteristics

Colour	Blue
Material	Polyamide
IEC degree of protection	IP66, IP67 and IP69K

Mechanical features

Operating force	kg-lb	<0.5Kg / 1.1lb
Mechanical life	cycles	5000000
Operating position	allowable	Any

Fixing	Flush (without mounting adapter)
--------	----------------------------------

Mounting adapter	LPSAU120
------------------	----------

Weight	g	28
--------	---	----

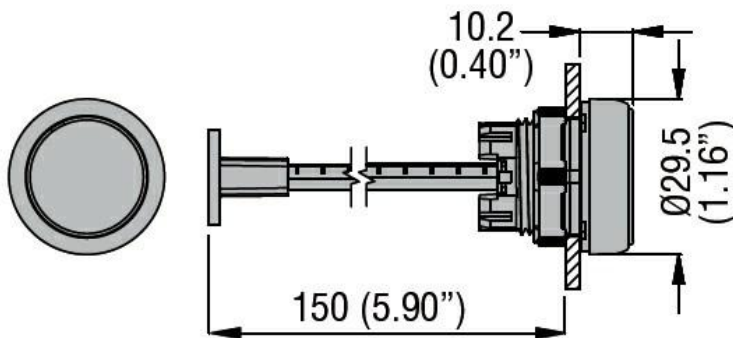
UL technical data

UL degree of protection	Type1, 2, 3R, 4, 4X, 12, 12K
-------------------------	------------------------------

Ambient conditions

Temperature	Operating temperature	min	°C	-25
		max	°C	+70
	Storage temperature	min	°C	-40
		max	°C	+85

Dimensions



Certifications and compliance

Compliance	CSA C22.2 n° 14
------------	-----------------

IEC/EN 60947-1

IEC/EN 60947-5-1

UL508

Certificates

CCC

cULus

EAC

RINA