



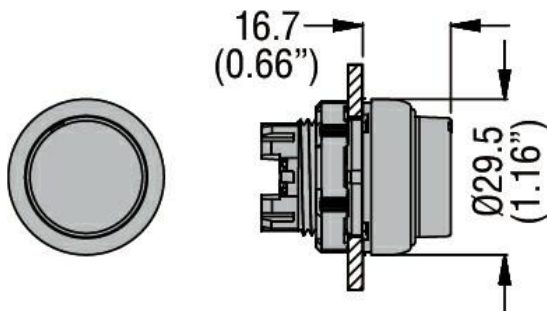
Product designation	ILLUMINATED push-push button actuators - Extended
Product type designation	LPCQL20
General characteristics	
Colour	Blue
Type of positions	Extended. Push on-push off
Material	Polyamide
IEC degree of protection	IP66, IP67 and IP69K

Mechanical features	
Operating force	kg-lb <0.5Kg / 1.1lb
Mechanical life - spring return actuators	cycles 5000000
Mechanical life - Push-Push actuators	cycles 500000
Mechanical life - Latch actuators	cycles 300000
Mounting adapter	LPXAU120
Weight	g 27

UL technical data	
UL degree of protection	Type1, 2, 3R, 4, 4X, 12, 12K

Ambient conditions	
Temperature	
Operating temperature	
min	°C -25
max	°C +70
Storage temperature	
min	°C -40
max	°C +85

Dimensions



Certifications and compliance

Compliance	CSA C22.2 n° 14
	IEC/EN 60947-1

IEC/EN 60947-5-1

UL508

Certificates

CCC

cULus

EAC

RINA