



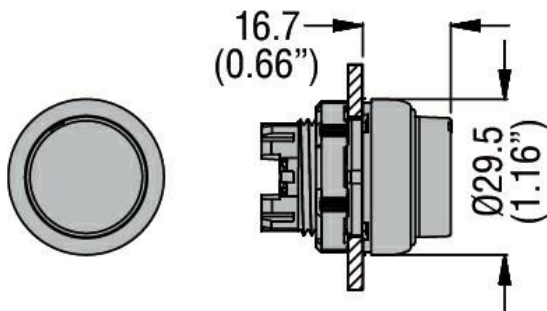
Product designation	ILLUMINATED push-push button actuators - Extended
Product type designation	LPCQL20
<b>General characteristics</b>	
Colour	Green
Type of positions	Extended. Push on-push off
Material	Polyamide
IEC degree of protection	IP66, IP67 and IP69K

<b>Mechanical features</b>	
Operating force	kg-lb <0.5Kg / 1.1lb
Mechanical life - spring return actuators	cycles 5000000
Mechanical life - Push-Push actuators	cycles 500000
Mechanical life - Latch actuators	cycles 300000
Mounting adapter	LPXAU120
Weight	g 27

<b>UL technical data</b>	
UL degree of protection	Type1, 2, 3R, 4, 4X, 12, 12K

<b>Ambient conditions</b>	
Temperature	
Operating temperature	min °C -25 max °C +70
Storage temperature	min °C -40 max °C +85

**Dimensions**



**Certifications and compliance**

Compliance	CSA C22.2 n° 14 IEC/EN 60947-1
------------	-----------------------------------

---

IEC/EN 60947-5-1

---

UL508

---

Certificates

---

CCC

---

cULus

---

EAC

---

RINA