



Product designation	ILLUMINATED push-push button actuators - Flush
Product type designation	LPCQL10

General characteristics

Colour	Trasparent
Type of positions	Flush. Push on-push off
Material	Polyamide
IEC degree of protection	IP66, IP67 and IP69K

Mechanical features

Operating force	kg-lb	<0.5Kg / 1.1lb
Mechanical life - spring return actuators	cycles	5000000
Mechanical life - Push-Push actuators	cycles	500000
Mechanical life - Latch actuators	cycles	300000
Mounting adapter		LPXAU120
Weight	g	25

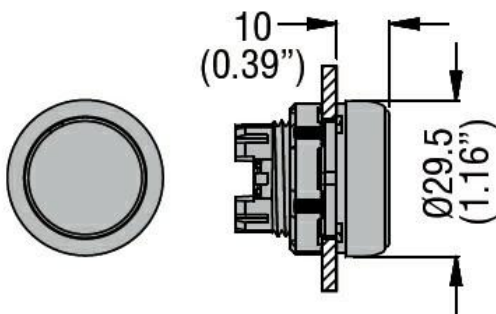
UL technical data

UL degree of protection	Type1, 2, 3R, 4, 4X, 12, 12K
-------------------------	------------------------------

Ambient conditions

Temperature			
Operating temperature	min	°C	-25
	max	°C	+70
Storage temperature	min	°C	-40
	max	°C	+85

Dimensions



Certifications and compliance

Compliance	CSA C22.2 n° 14
	IEC/EN 60947-1
	IEC/EN 60947-5-1

UL508

Certificates

CCC

cULus

EAC

RINA