



Double-touch actuators, spring return white indicator - One extended and one flush pushbuttons
LPCBL72

Product designation

Product type designation

General characteristics

| | |
|--------------------------|----------------------|
| Colour | Green/Red |
| Material | Polyamide |
| IEC degree of protection | IP66, IP67 and IP69K |

Mechanical features

| | | |
|------------------|-------|----------------|
| Operating force | kg-lb | <0.5Kg / 1.1lb |
| Mounting adapter | | LPAU120 |
| Weight | g | 30 |

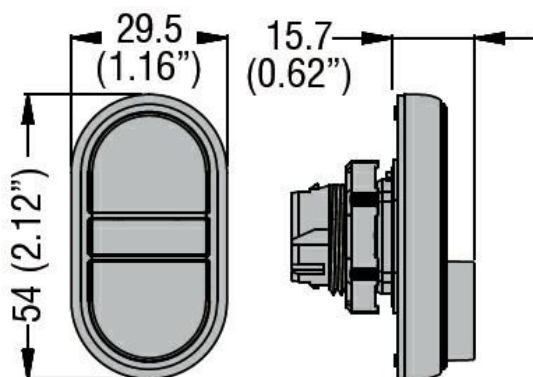
UL technical data

| | |
|-------------------------|------------------------------|
| UL degree of protection | Type1, 2, 3R, 4, 4X, 12, 12K |
|-------------------------|------------------------------|

Ambient conditions

| | | | |
|-------------|-----------------------|----|-----|
| Temperature | Operating temperature | | |
| | min | °C | -25 |
| | max | °C | +70 |
| | Storage temperature | | |
| | min | °C | -40 |
| | max | °C | +85 |

Dimensions



Certifications and compliance

Compliance

CSA C22.2 n° 14
IEC/EN 60947-1
IEC/EN 60947-5-1

UL508

Certificates

CCC

cULus

EAC

RINA