



Double-touch actuators, spring return white indicator - One extended and one flush pushbuttons
LPCBL72

Product designation

Product type designation

General characteristics

Colour	Green/Red
Material	Polyamide
IEC degree of protection	IP66, IP67 and IP69K

Mechanical features

Operating force	kg-lb	<0.5Kg / 1.1lb
Mounting adapter		LPXAU120
Weight	g	30

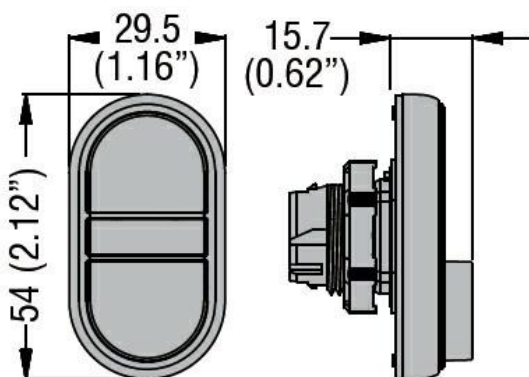
UL technical data

UL degree of protection	Type1, 2, 3R, 4, 4X, 12, 12K
-------------------------	------------------------------

Ambient conditions

Temperature	Operating temperature	min	°C	-25
		max	°C	+70
	Storage temperature	min	°C	-40
		max	°C	+85

Dimensions



Certifications and compliance

Compliance

CSA C22.2 n° 14
IEC/EN 60947-1
IEC/EN 60947-5-1

UL508

Certificates

CCC

cULus

EAC

RINA
