



| | |
|--------------------------|--|
| Product designation | ILLUMINATED button actuators, spring return - Extended |
| Product type designation | LPCBL20 |

General characteristics

| | |
|--------------------------|----------------------|
| Colour | Yellow |
| Type of positions | Extended |
| Material | Polyamide |
| IEC degree of protection | IP66, IP67 and IP69K |

Mechanical features

| | | |
|---|--------|----------------|
| Operating force | kg-lb | <0.5Kg / 1.1lb |
| Mechanical life - spring return actuators | cycles | 5000000 |
| Mechanical life - Push-Push actuators | cycles | 500000 |
| Mechanical life - Latch actuators | cycles | 300000 |
| Mounting adapter | | LPXAU120 |
| Weight | g | 27 |

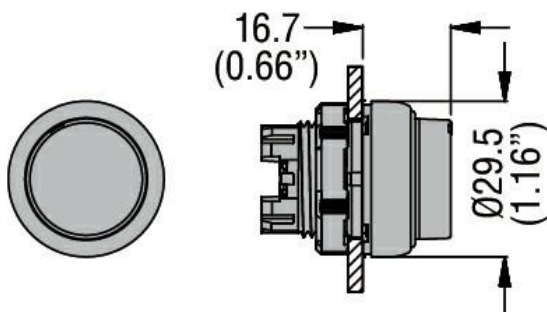
UL technical data

| | |
|-------------------------|------------------------------|
| UL degree of protection | Type1, 2, 3R, 4, 4X, 12, 12K |
|-------------------------|------------------------------|

Ambient conditions

| | | | | |
|-------------|-----------------------|-----|----|-----|
| Temperature | | | | |
| | Operating temperature | min | °C | -25 |
| | | max | °C | +70 |
| | Storage temperature | min | °C | -40 |
| | | max | °C | +85 |

Dimensions



Certifications and compliance

| | |
|------------|------------------|
| Compliance | CSA C22.2 n° 14 |
| | IEC/EN 60947-1 |
| | IEC/EN 60947-5-1 |
| | UL508 |

Certificates

CCC

cULus

EAC

RINA