



Triple-touch actuators, spring return - One middle extended buttons  
LPCB73

Product designation

Product type designation

General characteristics

Colour	↑ - STOP - ↓
Material	Polyamide
IEC degree of protection	IP66, IP67 and IP69K

Mechanical features

Operating force	kg-lb	<0.5Kg / 1.1lb
Mechanical life	cycles	1000000
Operating position	allowable	Any
Mounting adapter		LPXAU120
Weight	g	30

UL technical data

UL degree of protection	Type1, 2, 3R, 4, 4X, 12, 12K
-------------------------	------------------------------

Ambient conditions

Temperature

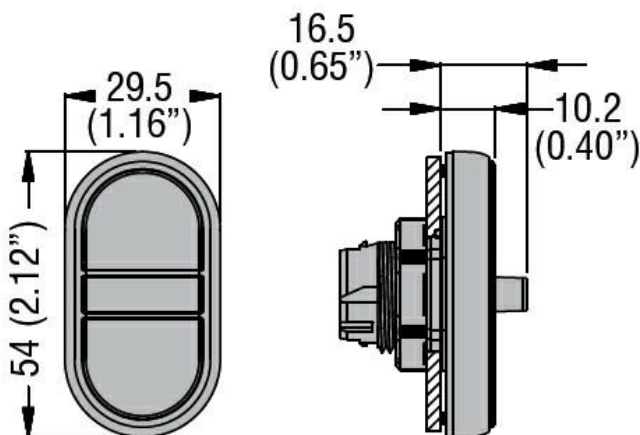
Operating temperature

min	°C	-25
max	°C	+70

Storage temperature

min	°C	-40
max	°C	+85

Dimensions



Certifications and compliance

Compliance

CSA C22.2 n° 14

TRIPLE-TOUCH ACTUATOR, SPRING RETURN Ø22MM PLATINUM SERIES, 2 EXTERNAL  
FLUSH OND 1 MIDDLE EXTENDED PUSH BUTTONS. SPRING RETURN, ↑ - STOP - ↓

---

IEC/EN 60947-1

---

IEC/EN 60947-5-1

---

UL508

---

Certificates

---

CCC

---

cULus

---

EAC

---

RINA