



Mushroom head pushbutton, Latch, turn key to release diam 40mm/1.6" LPCB684

Product designation

Product type designation

General characteristics

Colour	Black
Material	Polyamide
IEC degree of protection	IP66, IP67 and IP69K

Mechanical features

Operating force	kg-lb	<0.5Kg / 1.1lb
Mechanical life - spring return actuators	cycles	5000000
Mechanical life - Latch actuators	cycles	300000
Operating position	allowable	Any
Mounting adapter		LPXAU120
Weight	g	83

UL technical data

UL degree of protection	Type1, 2, 3R, 4, 4X, 12, 12K
-------------------------	------------------------------

Ambient conditions

Temperature

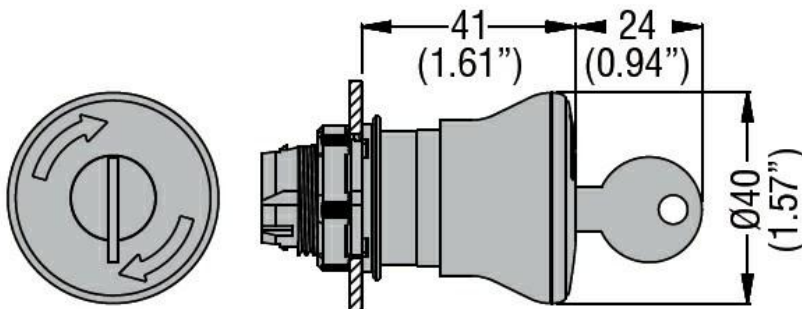
Operating temperature

min	°C	-25
max	°C	+70

Storage temperature

min	°C	-40
max	°C	+85

Dimensions



Certifications and compliance

Compliance

CSA C22.2 n° 14  
IEC/EN 60947-1

MUSHROOM HEAD PUSH BUTTON ACTUATOR Ø22MM PLATINUM SERIES, LATCH, TURN KEY TO RELEASE, Ø40MM. FOR NORMAL STOPPING. BLACK. DIFFERENT KEY CODE

---

IEC/EN 60947-5-1

---

UL508

---

Certificates

---

CCC

---

cULus

---

EAC

---

RINA

---

UL