



Mushroom head pushbutton, spring return diam 60mm/2.4" LPCB616

Product designation

Product type designation

General characteristics

Colour	Yellow
Material	Polyamide
IEC degree of protection	IP66, IP67 and IP69K

Mechanical features

Operating force	kg-lb	<0.5Kg / 1.1lb
Mechanical life - spring return actuators	cycles	5000000
Mechanical life - Latch actuators	cycles	300000

Operating position	allowable	Any
--------------------	-----------	-----

Mounting adapter		L PXAU120
------------------	--	-----------

Weight	g	38
--------	---	----

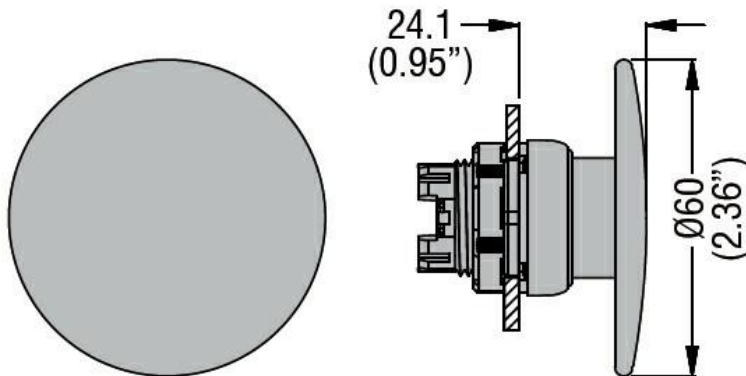
UL technical data

UL degree of protection	Type1, 2, 3R, 4, 4X, 12, 12K
-------------------------	------------------------------

Ambient conditions

Temperature	Operating temperature	min	°C	-25
		max	°C	+70
Storage temperature	min	°C	-40	
	max	°C	+85	

Dimensions



Certifications and compliance

Compliance

CSA C22.2 n° 14
IEC/EN 60947-1

IEC/EN 60947-5-1

UL508

Certificates

CCC

cULus

EAC

RINA