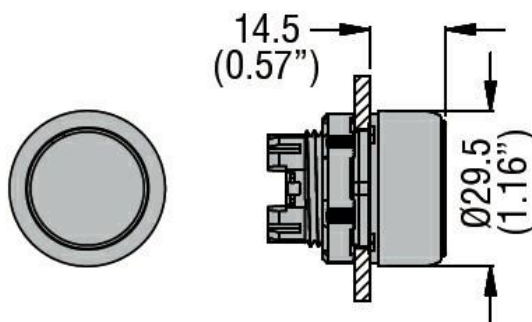




|   |                                    |                |        |
|---|------------------------------------|----------------|--------|
| Product designation                       | Pushbutton actuator, spring return |                |        |
| Product type designation                  | LPCB30                             |                |        |
| <b>General characteristics</b>            |                                    |                |        |
| Colour                                    | Yellow                             |                |        |
| Material                                  | Polyamide                          |                |        |
| IEC degree of protection                  | IP66, IP67 and IP69K               |                |        |
| <b>Mechanical features</b>                |                                    |                |        |
| Operating force                           | kg-lb                              | <0.5Kg / 1.1lb |        |
| Mechanical life - spring return actuators | cycles                             | 5000000        |        |
| Mechanical life - Push-Push actuators     | cycles                             | 500000         |        |
| Operating position                        | allowable                          | Any            |        |
| Fixing                                    | Flush (without mounting adapter)   |                |        |
| Mounting adapter                          | LPXAU120                           |                |        |
| Weight                                    | g                                  | 27             |        |
| <b>UL technical data</b>                  |                                    |                |        |
| UL degree of protection                   | Type1, 2, 3R, 4, 4X, 12, 12K       |                |        |
| <b>Ambient conditions</b>                 |                                    |                |        |
| Temperature                               |                                    |                |        |
| Operating temperature                     |                                    | min            | °C -25 |
|   |                                    | max            | °C +70 |
| Storage temperature                       |                                    | min            | °C -40 |
|   |                                    | max            | °C +85 |

**Dimensions**



**Certifications and compliance**

Compliance

CSA C22.2 n° 14

---

IEC/EN 60947-1

---

IEC/EN 60947-5-1

---

UL508

---

Certificates

---

CCC

---

cULus

---

EAC

---

RINA