



Product designation	Pushbutton actuators, spring return, with symbol LPCB21
Product type designation	LPCB21

General characteristics

Colour	Red
Material	Polyamide
IEC degree of protection	IP66, IP67 and IP69K

Mechanical features

Operating force	kg-lb	<0.5Kg / 1.1lb
Mechanical life	cycles	5000000
Operating position	allowable	Any

Fixing	Flush (without mounting adapter)
Mounting adapter	LPAU120

Weight	g	27
--------	---	----

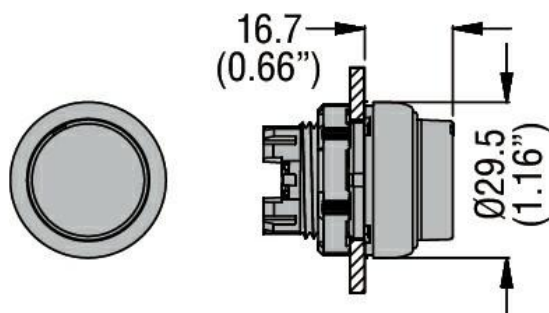
UL technical data

UL degree of protection	Type1, 2, 3R, 4, 4X, 12, 12K
-------------------------	------------------------------

Ambient conditions

Temperature	Operating temperature	min	°C	-25
		max	°C	+70
	Storage temperature	min	°C	-40
		max	°C	+85

Dimensions



Certifications and compliance

Compliance	CSA C22.2 n° 14
------------	-----------------

IEC/EN 60947-1

IEC/EN 60947-5-1

UL508

Certificates

CCC

cULus

EAC

RINA