



Product designation	Pushbutton actuator, spring return
Product type designation	LPCB20

#### General characteristics

Colour	White
Material	Polyamide
IEC degree of protection	IP66, IP67 and IP69K

#### Mechanical features

Operating force	kg-lb	<0.5Kg / 1.1lb
Mechanical life - spring return actuators	cycles	5000000
Mechanical life - Push-Push actuators	cycles	500000

Operating position	allowable	Any
--------------------	-----------	-----

Fixing		Flush (without mounting adapter)
--------	--	----------------------------------

Mounting adapter		LPXAU120
------------------	--	----------

Weight	g	27
--------	---	----

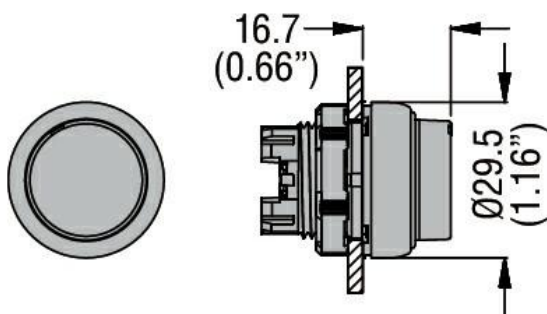
#### UL technical data

UL degree of protection		Type1, 2, 3R, 4, 4X, 12, 12K
-------------------------	--	------------------------------

#### Ambient conditions

Temperature			
Operating temperature	min	°C	-25
	max	°C	+70
Storage temperature	min	°C	-40
	max	°C	+85

#### Dimensions



#### Certifications and compliance

Compliance	CSA C22.2 n° 14
------------	-----------------

---

IEC/EN 60947-1

---

IEC/EN 60947-5-1

---

UL508

---

Certificates

---

CCC

---

cULus

---

EAC

---

RINA