



Product designation	Pushbutton actuators, spring return, with symbol
Product type designation	LPCB11

**General characteristics**

Colour	Green
Material	Polyamide
IEC degree of protection	IP66, IP67 and IP69K

**Mechanical features**

Operating force	kg-lb	<0.5Kg / 1.1lb
Mechanical life	cycles	5000000
Operating position	allowable	Any

Fixing	Flush (without mounting adapter)
Mounting adapter	LFXAU120

Weight	g	25
--------	---	----

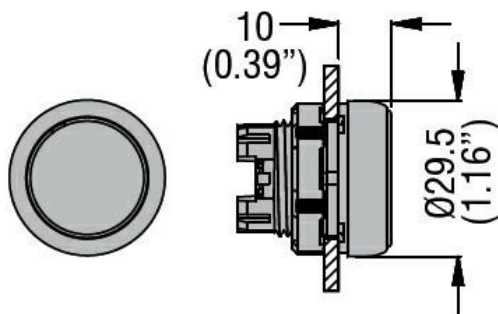
**UL technical data**

UL degree of protection	Type1, 2, 3R, 4, 4X, 12, 12K
-------------------------	------------------------------

**Ambient conditions**

Temperature			
Operating temperature	min	°C	-25
	max	°C	+70
Storage temperature	min	°C	-40
	max	°C	+85

**Dimensions**



**Certifications and compliance**

Compliance	CSA C22.2 n° 14
------------	-----------------

---

IEC/EN 60947-1

---

IEC/EN 60947-5-1

---

UL508

---

Certificates

---

CCC

---

cULus

---

EAC

---

RINA