

4

3

2

1

D

D

C

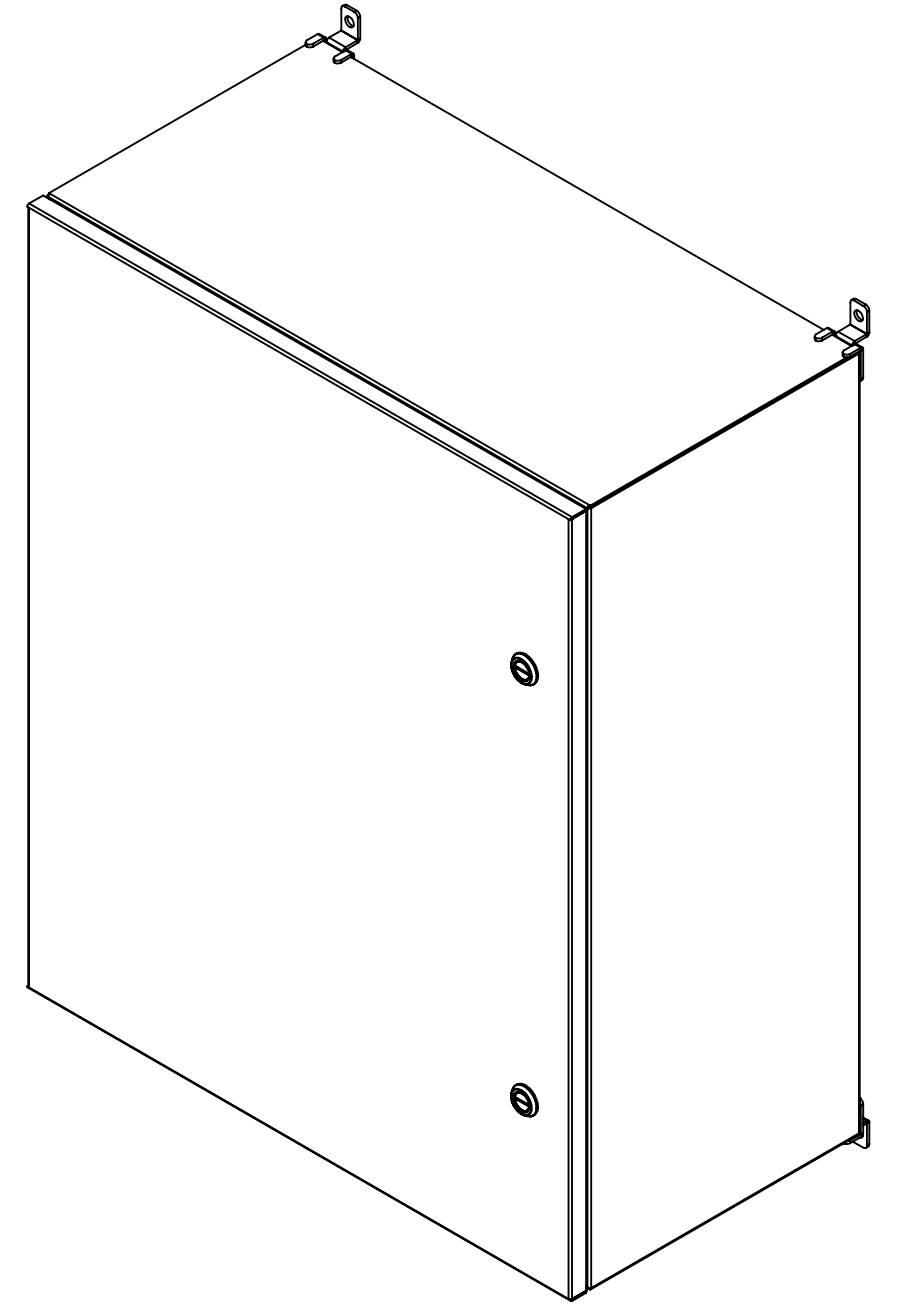
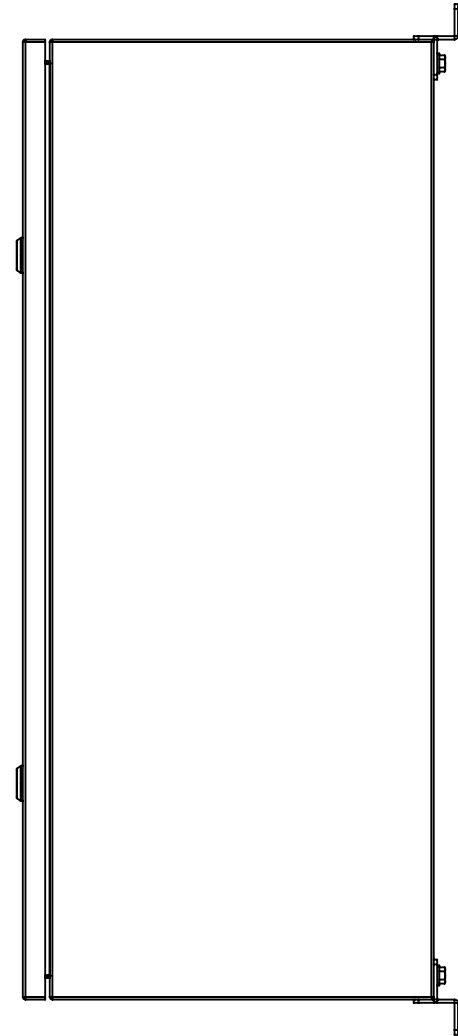
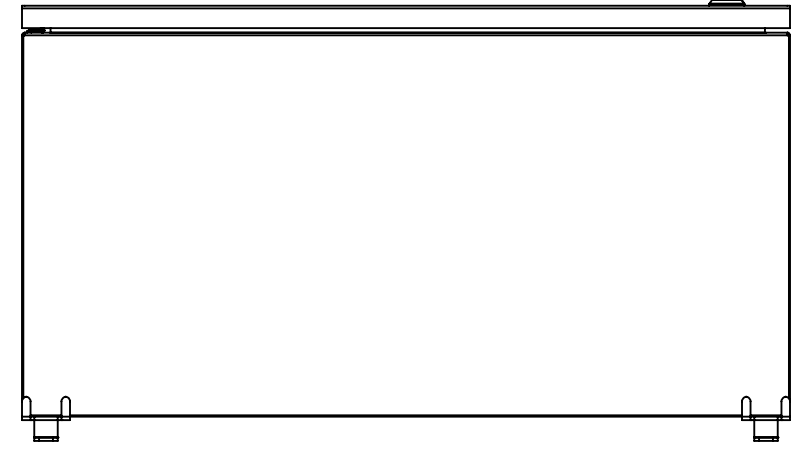
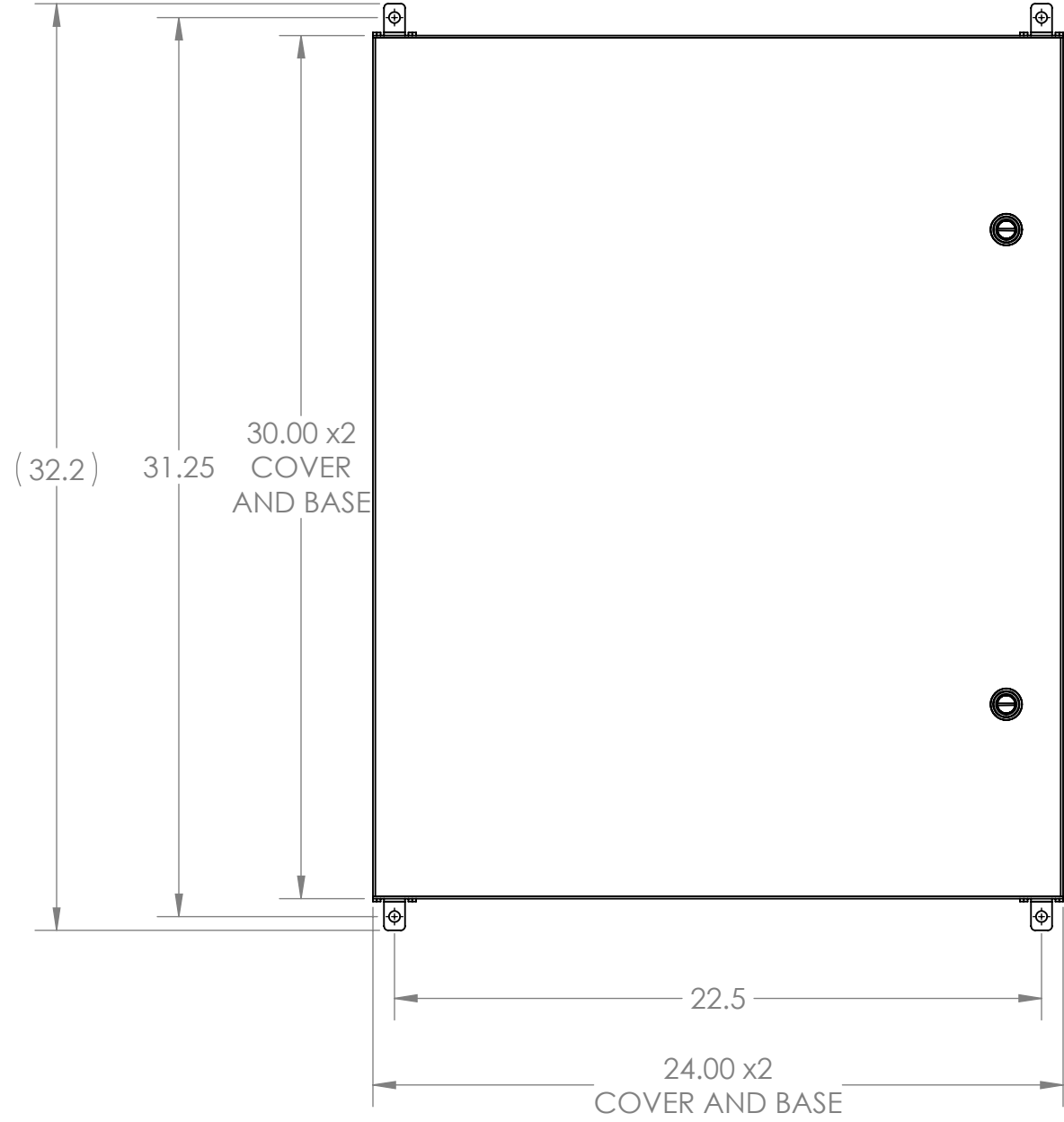
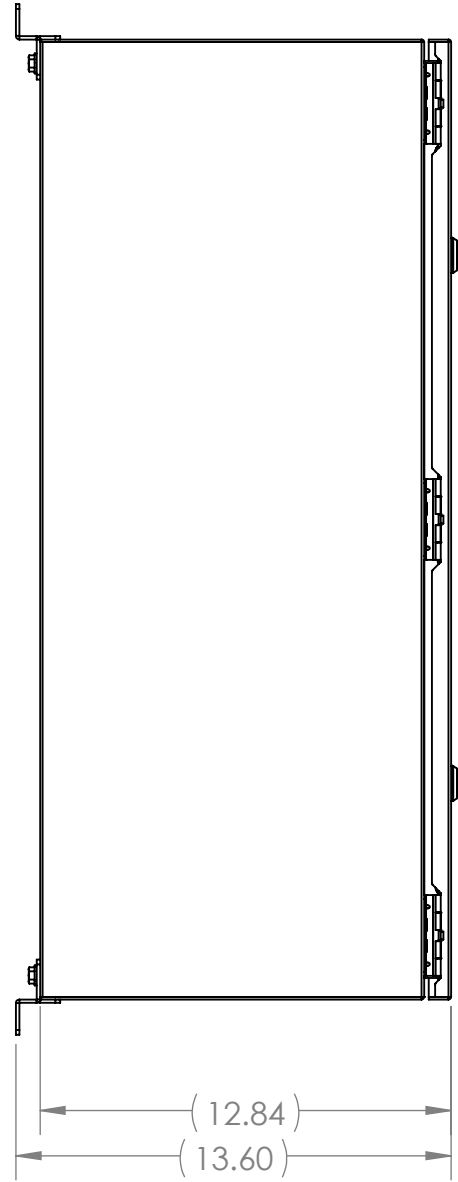
C

B

B

A

A



- NOTES:
 1. BASE MATERIAL: 14 Ga. (.075") 304 SS
 2. COVER MATERIAL: 14 Ga. (.075") 304 SS

UNLESS OTHERWISE SPECIFIED: DIMENSIONS ARE IN INCHES (MM) AND ARE NOMINAL ONLY		INTEGRA ENCLOSURES <small>A DIVISION OF MUM INDUSTRIES 8989 TYLER BLVD. MENTOR, OH ENCLOSURES (440)269-8155 FAX (440)269-8166</small>	
PROPRIETARY AND CONFIDENTIAL <small>THE INFORMATION CONTAINED IN THIS DRAWING IS THE SOLE PROPERTY OF MUM INDUSTRIES INC. ANY REPRODUCTION IN PART OR AS A WHOLE WITHOUT THE WRITTEN PERMISSION OF MUM INDUSTRIES INC. IS PROHIBITED.</small>		DWG. NO. W302412-4PQ-BT	
SIZE C	DESCRIPTION: WALL-30X24X12-304- PHN-QTL	REV C	SCALE: 1:6 WEIGHT: SHEET 1 OF 2
DRAWN BY: CV 04.08.2021	SCALE: 1:6 WEIGHT: SHEET 1 OF 2		

4

3

2

1

4

3

2

1

D

D

C

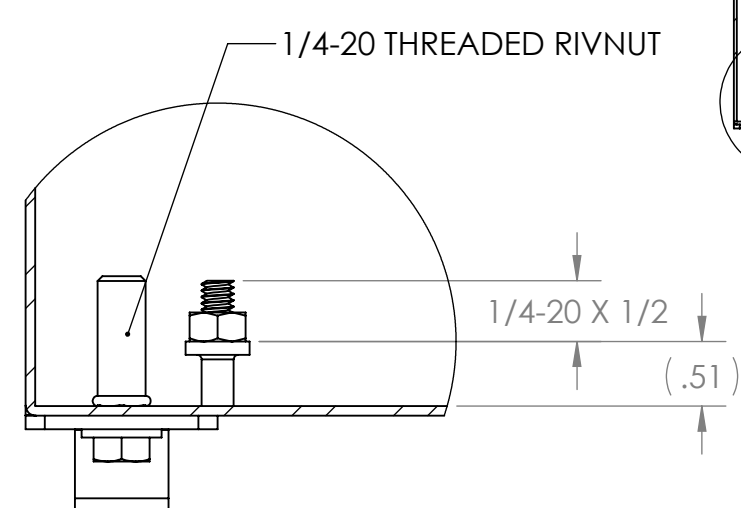
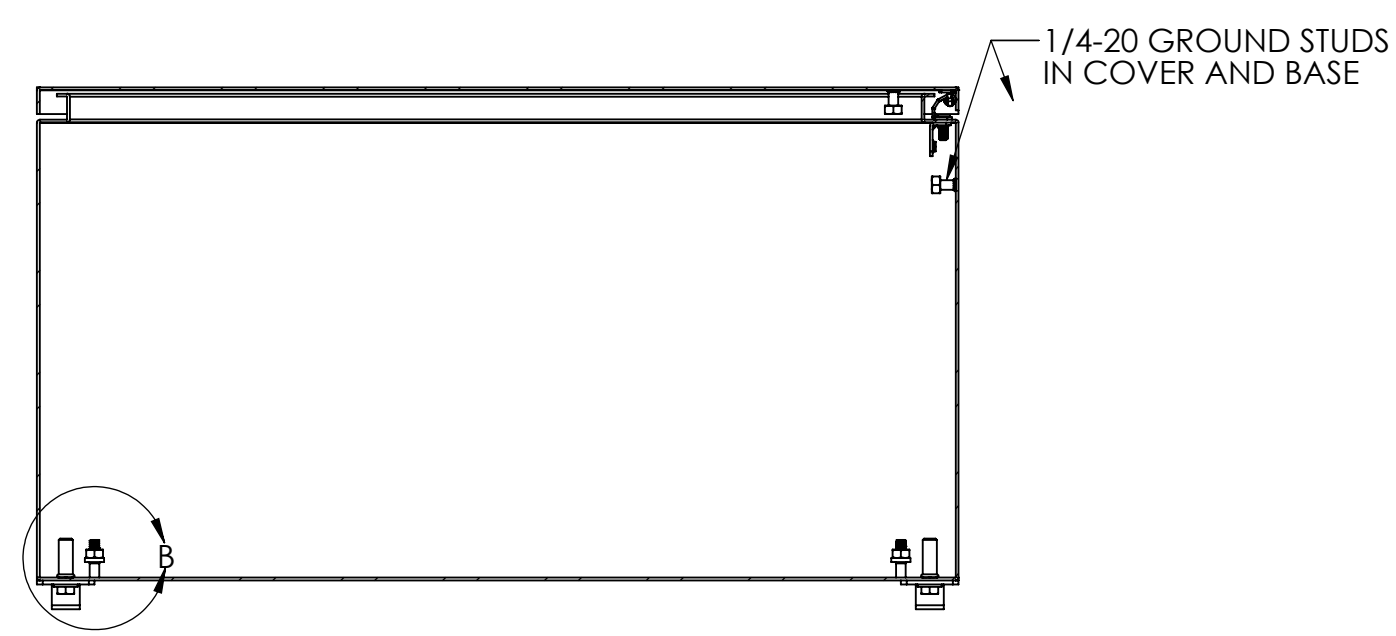
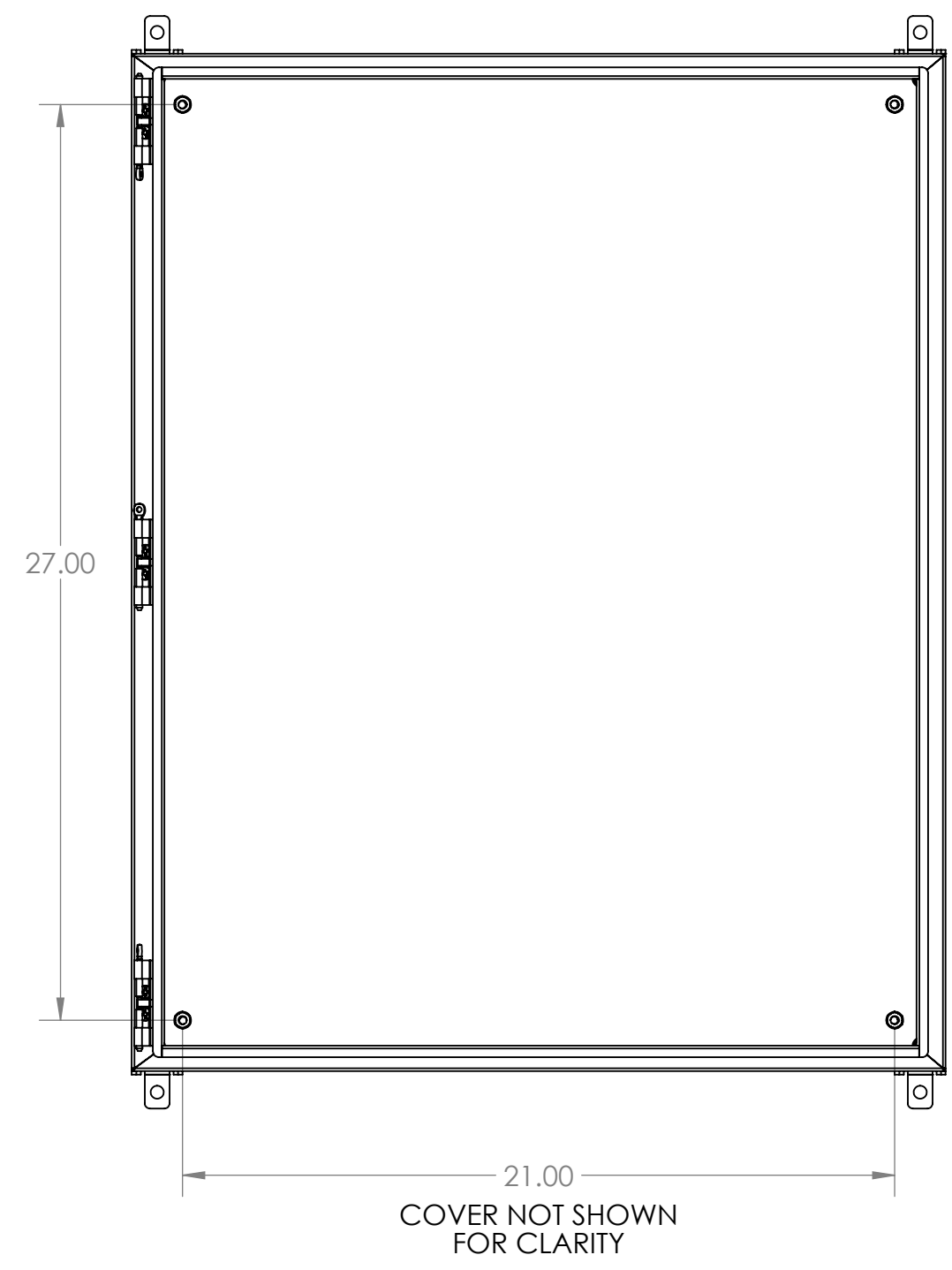
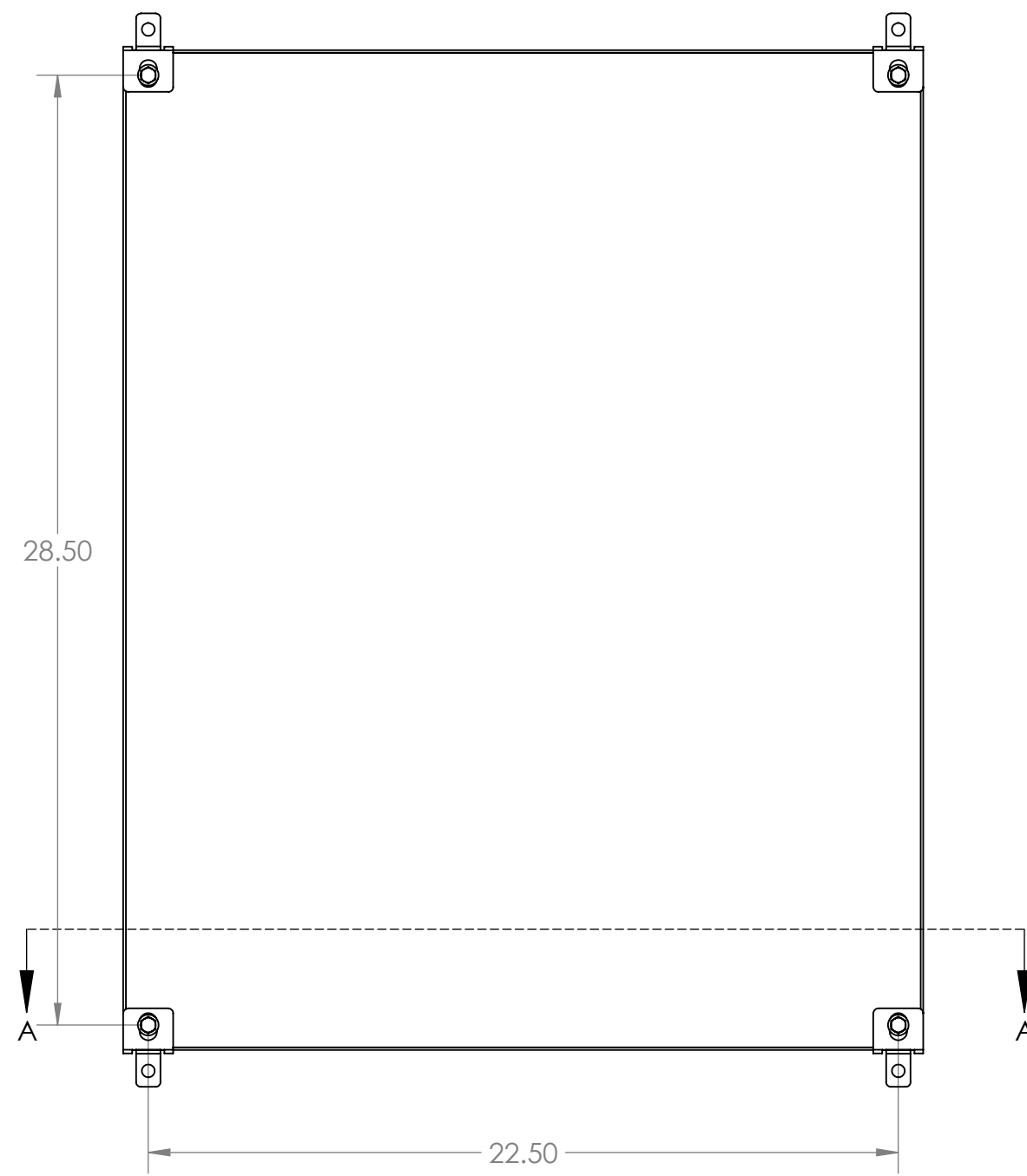
C

B

B

A

A



DETAIL B x 4
SCALE 2 : 3

UNLESS OTHERWISE SPECIFIED:
DIMENSIONS ARE IN INCHES [MM]
AND ARE NOMINAL ONLY

PROPRIETARY AND CONFIDENTIAL
THE INFORMATION CONTAINED IN THIS
DRAWING IS THE SOLE PROPERTY OF
MUM INDUSTRIES INC. ANY
REPRODUCTION IN PART OR AS A WHOLE
WITHOUT THE WRITTEN PERMISSION OF
MUM INDUSTRIES INC. IS PROHIBITED.

DRAWN BY: CV 04.08.2021

INTEGRA ENCLOSURES
A DIVISION OF MUM INDUSTRIES
8989 TYLER BLVD. MENTOR, OH
ENCLOSURES (440)269-8155 FAX (440)269-8166

DWG. NO.
W302412-4PQ-BT

SIZE C	DESCRIPTION: WALL-30X24X12-304- PHN-QTL	REV C
------------------	---	-----------------

SCALE: 1:5 WEIGHT: SHEET 2 OF 2

4

3

2

1