

4

3

2

1

D

D

C

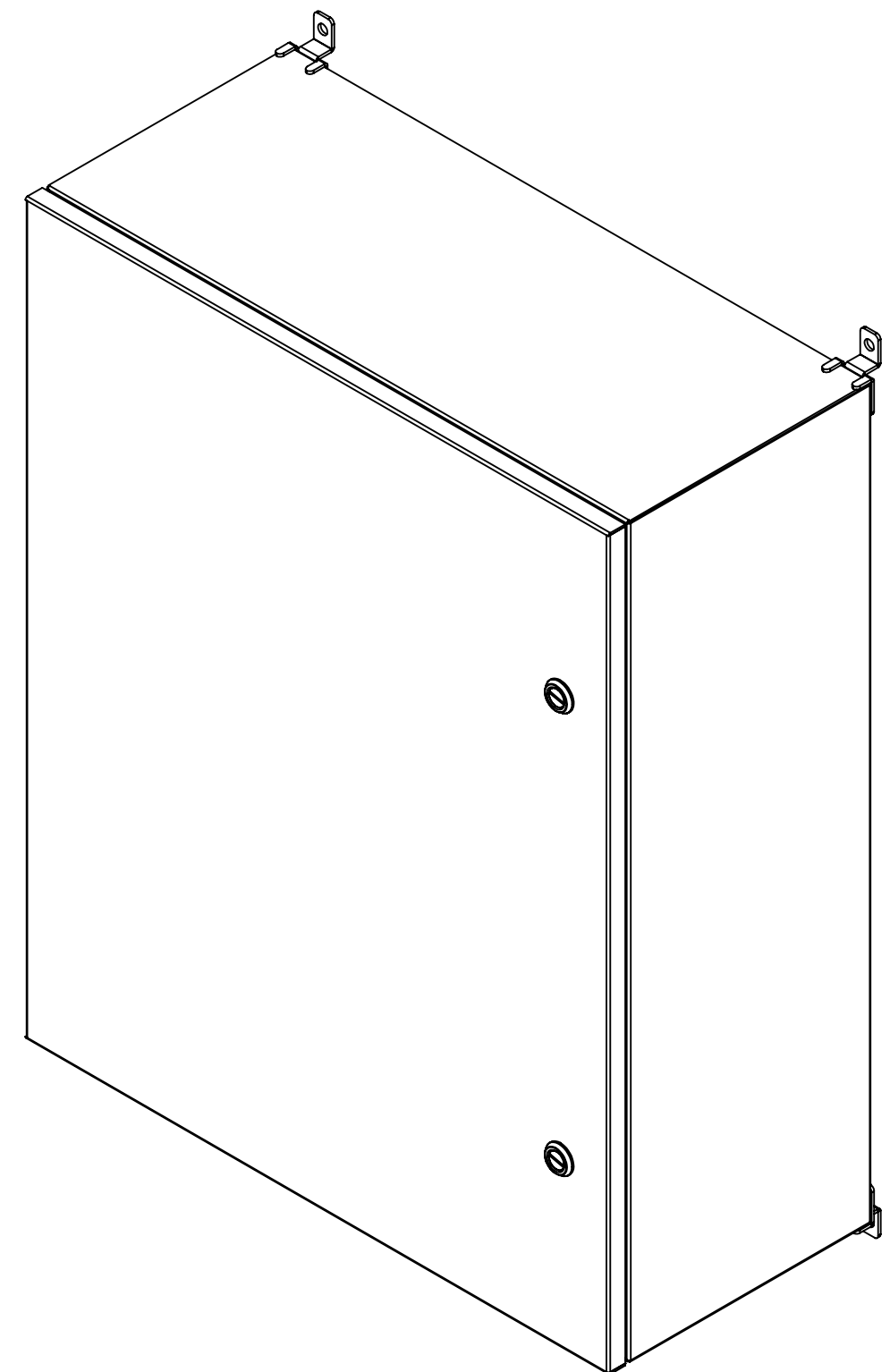
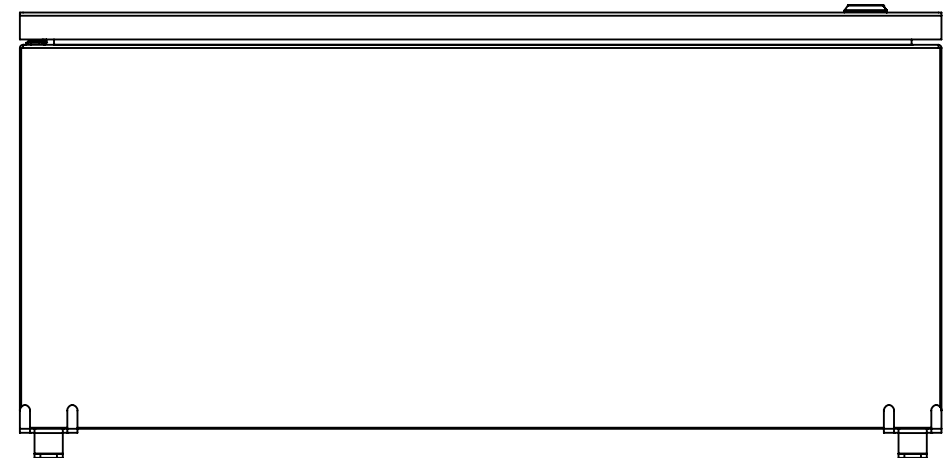
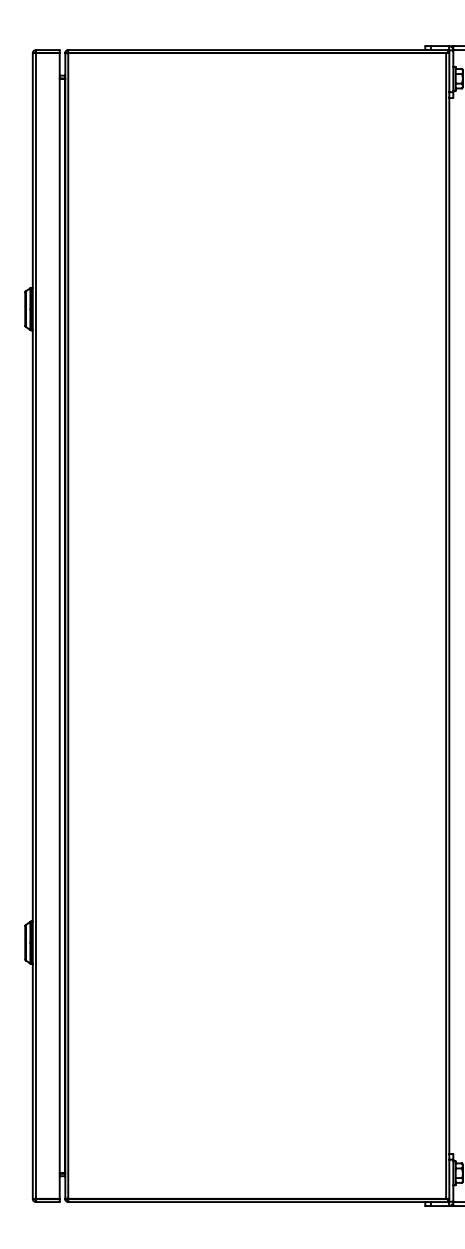
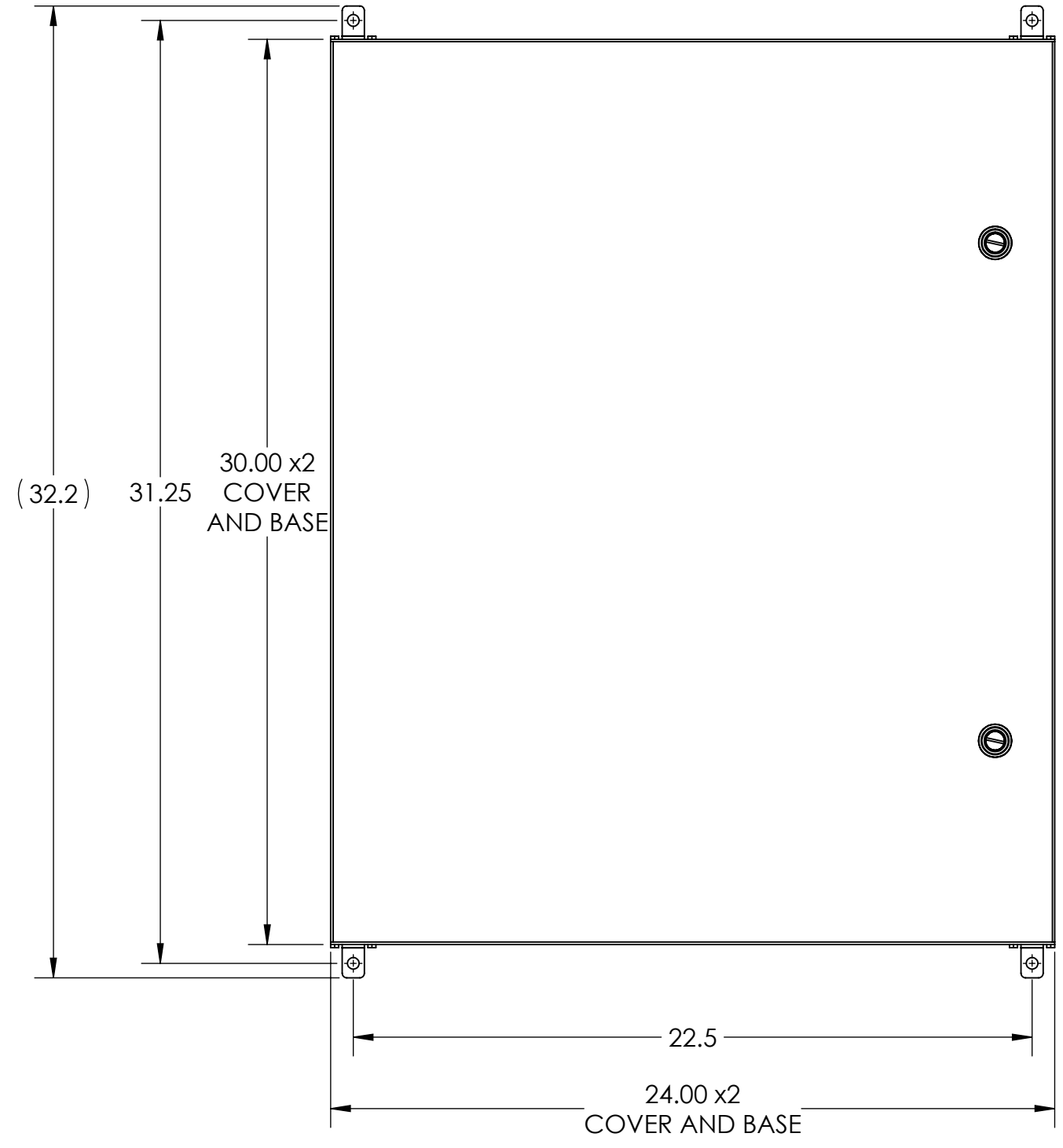
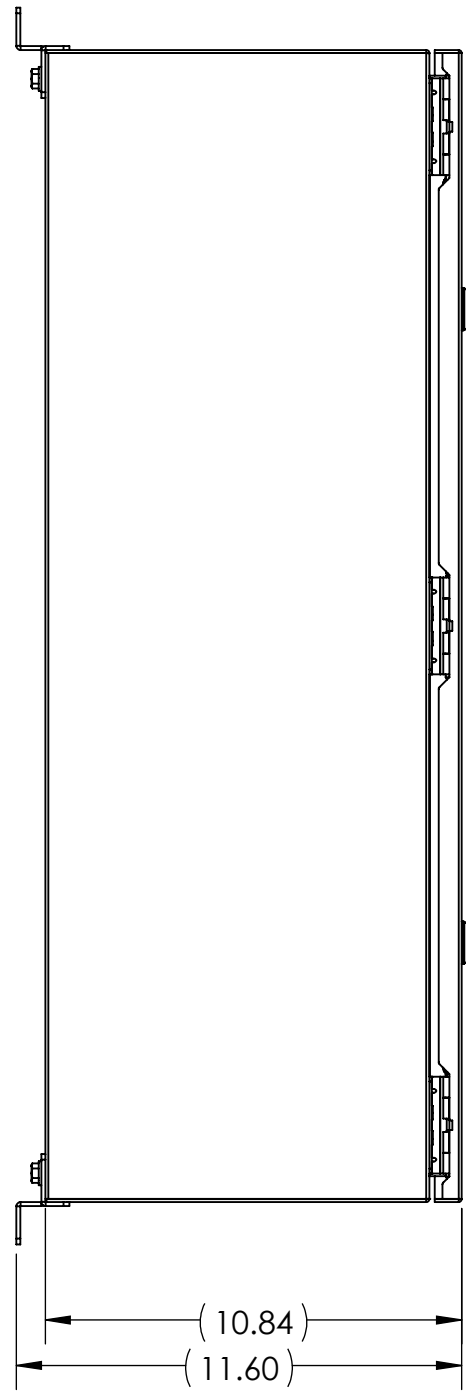
C

B

B

A

A



- NOTES:  
 1. BASE MATERIAL: 14 Ga. (.075") 304 SS  
 2. COVER MATERIAL: 14 Ga. (.075") 304 SS

UNLESS OTHERWISE SPECIFIED: DIMENSIONS ARE IN INCHES [MM] AND ARE NOMINAL ONLY		<b>INTEGRA ENCLOSURES</b> <small>A DIVISION OF MUM INDUSTRIES</small> <small>8989 TYLER BLVD. MENTOR, OH</small> <small>ENCLOSURES (440)269-8155 FAX (440)269-8166</small>	
		DWG. NO. <b>W302410-4PQ-BT</b>	
PROPRIETARY AND CONFIDENTIAL THE INFORMATION CONTAINED IN THIS DRAWING IS THE SOLE PROPERTY OF MUM INDUSTRIES INC. ANY REPRODUCTION IN PART OR AS A WHOLE WITHOUT THE WRITTEN PERMISSION OF MUM INDUSTRIES INC. IS PROHIBITED.		SIZE <b>C</b>	DESCRIPTION: WALL-30X24X10-304- PHN-QTL
		REV <b>C</b>	SCALE: 1:5 WEIGHT: SHEET 1 OF 2
DRAWN BY: ZNT	04.07.2021		

4

3

2

1

4

3

2

1

D

D

C

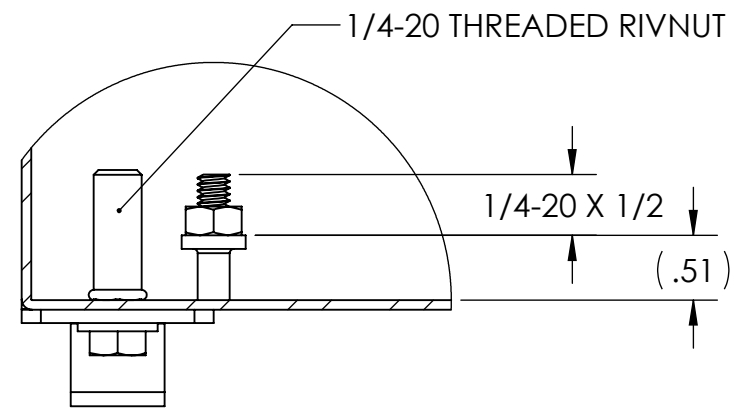
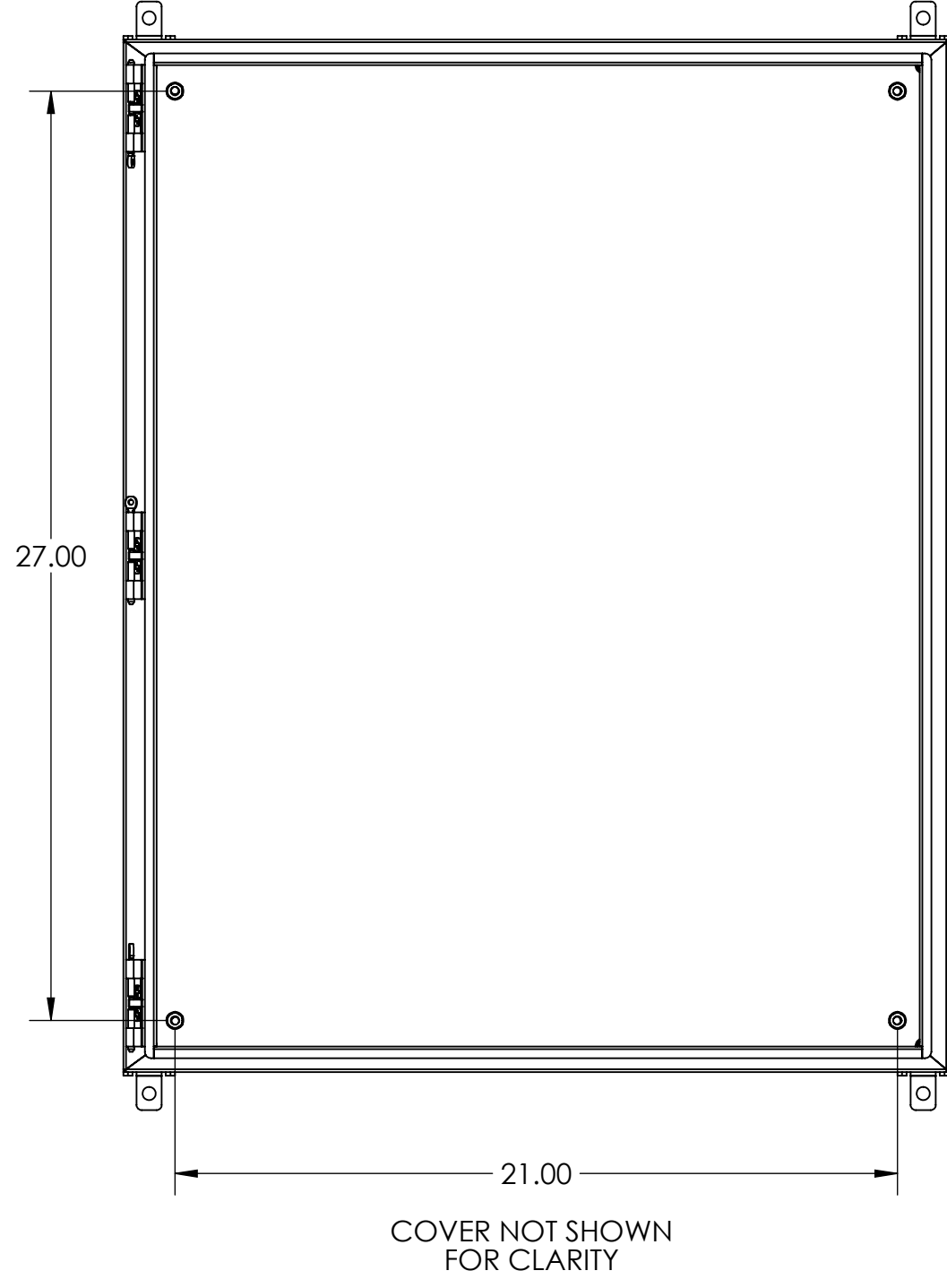
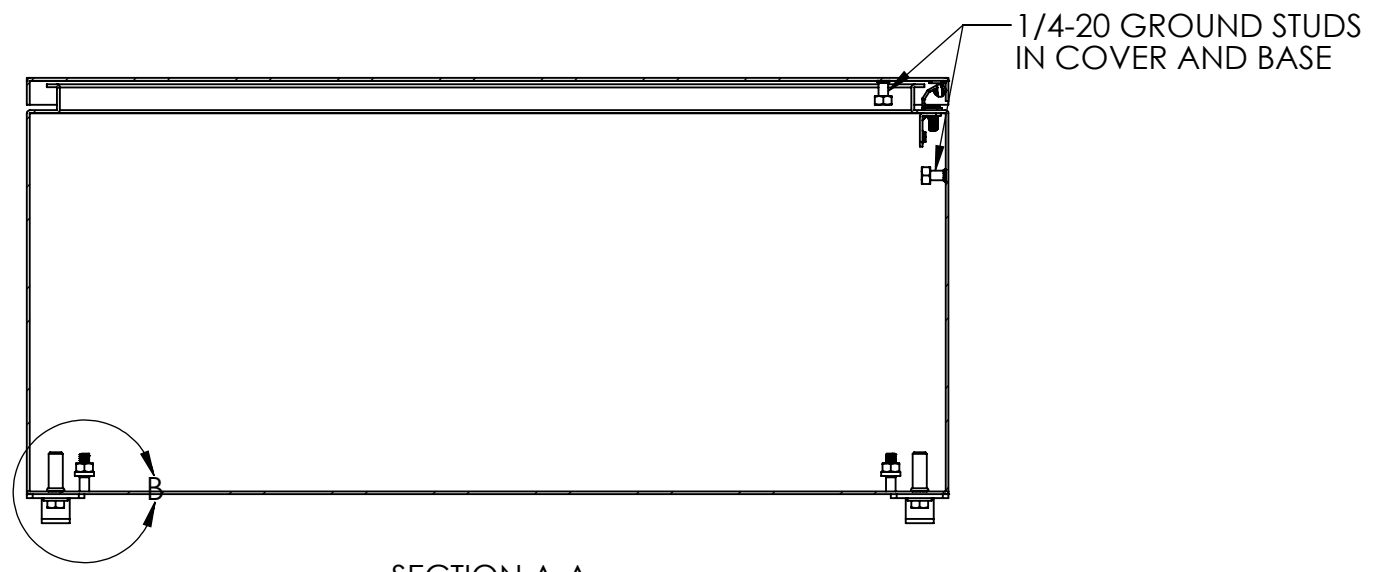
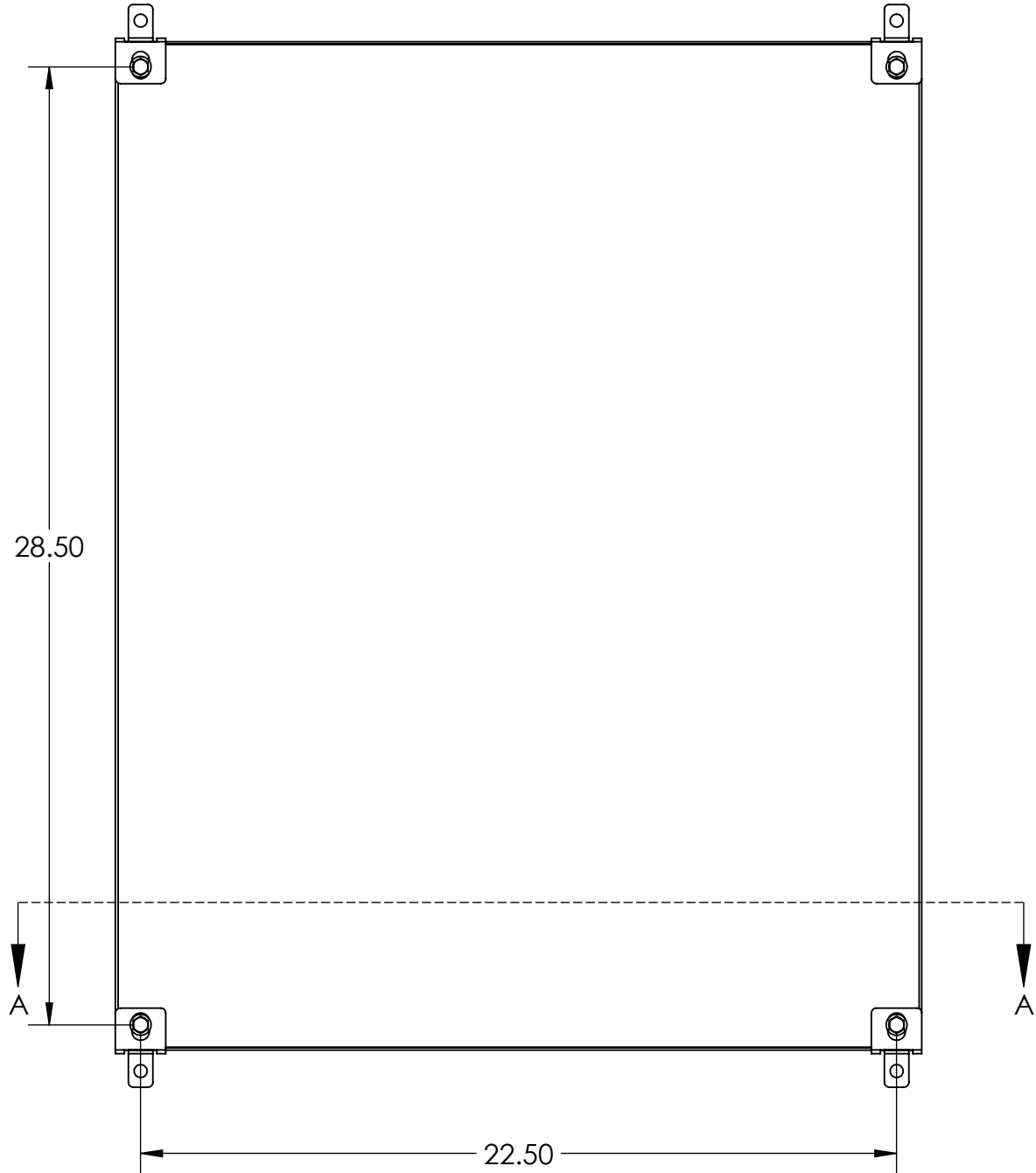
C

B

B

A

A



DETAIL B  
SCALE 2 : 3

**INTEGRA ENCLOSURES**  
 **INTEGRA** A DIVISION OF MUM INDUSTRIES  
 ENCLOSURES 8989 TYLER BLVD. MENTOR, OH  
 (440)269-8155 FAX (440)269-8166

UNLESS OTHERWISE SPECIFIED:  
 DIMENSIONS ARE IN INCHES [MM]  
 AND ARE NOMINAL ONLY

DWG. NO.  
**W302410-4PQ-BT**

**PROPRIETARY AND CONFIDENTIAL**  
 THE INFORMATION CONTAINED IN THIS  
 DRAWING IS THE SOLE PROPERTY OF  
 MUM INDUSTRIES INC. ANY  
 REPRODUCTION IN PART OR AS A WHOLE  
 WITHOUT THE WRITTEN PERMISSION OF  
 MUM INDUSTRIES INC. IS PROHIBITED.

SIZE <b>C</b>	DESCRIPTION: WALL-30X24X10-304- PHN-QTL	REV <b>C</b>
------------------	---	-----------------

DRAWN BY: ZNT 04.07.2021

SCALE: 1:5 WEIGHT: SHEET 2 OF 2

4

3

2

1