

4

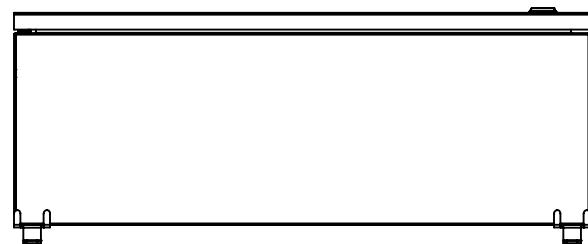
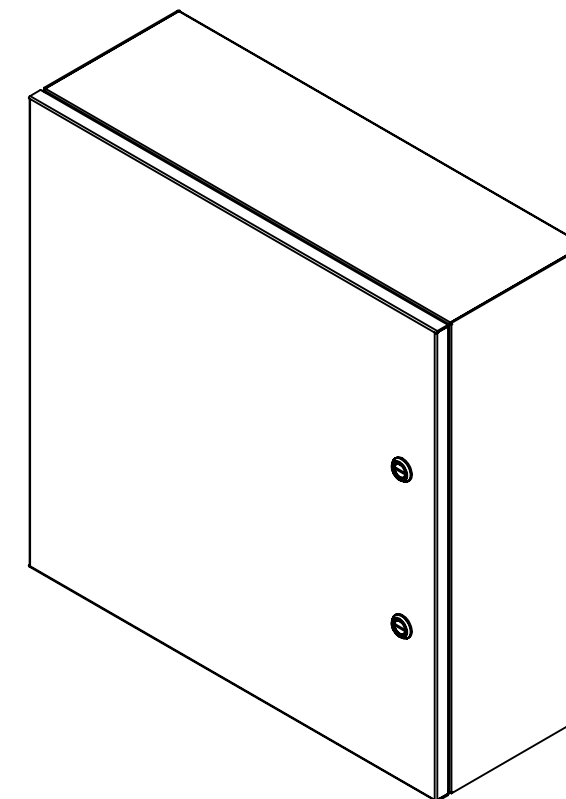
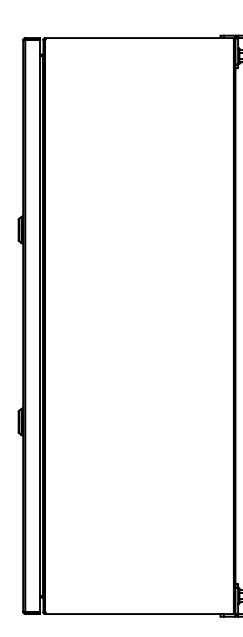
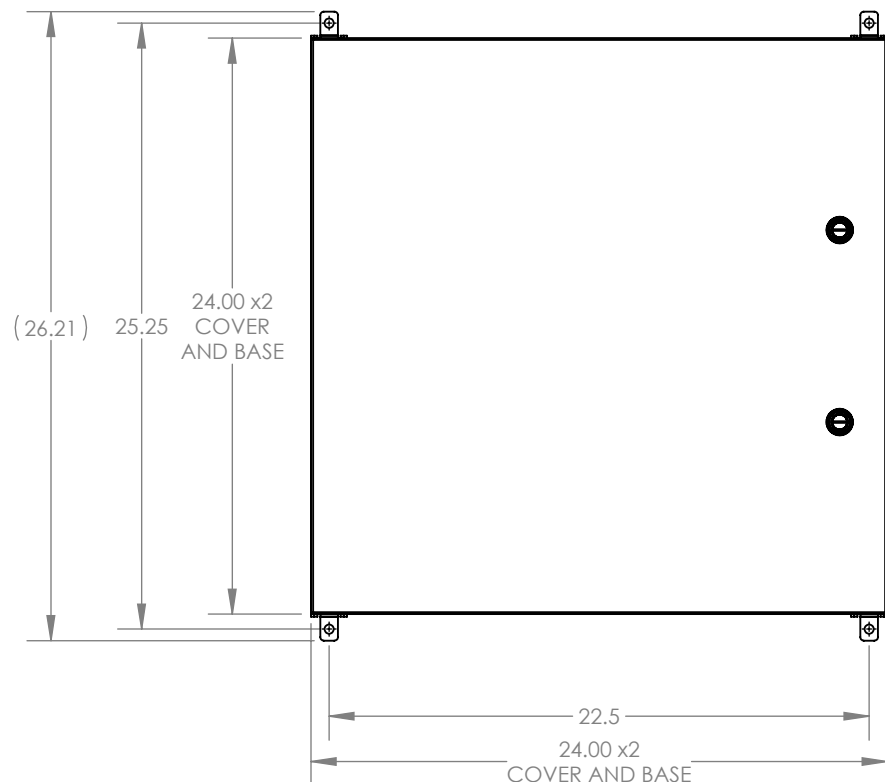
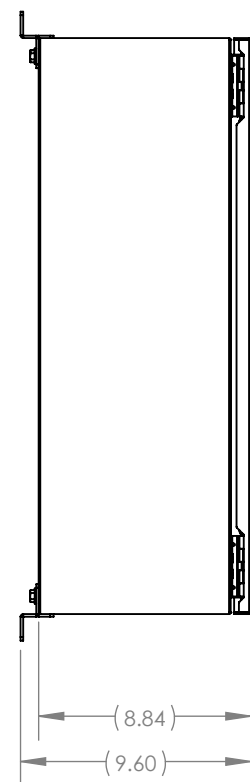
3

2

1

B

B



- NOTE:
 1. BASE MATERIAL: 16 Ga. (.060") 304 SS
 2. COVER MATERIAL: 14 Ga. (.075") 304 SS

A

A

INTEGRA ENCLOSURES
 A DIVISION OF MUM INDUSTRIES
 8989 TYLER BLVD. MENTOR, OH
 (440)269-8155 FAX (440)269-8166

UNLESS OTHERWISE SPECIFIED: DIMENSIONS ARE IN INCHES [MM] AND ARE NOMINAL ONLY		DWG. NO. W242408-4PQ-BT	
PROPRIETARY AND CONFIDENTIAL THE INFORMATION CONTAINED IN THIS DRAWING IS THE SOLE PROPERTY OF MUM INDUSTRIES INC. ANY REPRODUCTION IN PART OR AS A WHOLE WITHOUT THE WRITTEN PERMISSION OF MUM INDUSTRIES INC. IS PROHIBITED.		SIZE B	DESCRIPTION: WALL-24X24X08-304- PHN-QTL
DRAWN BY: ZNT	03.24.2021	SCALE: 1:8	WEIGHT: SHEET 1 OF 2
		REV C	

4

3

2

1

4

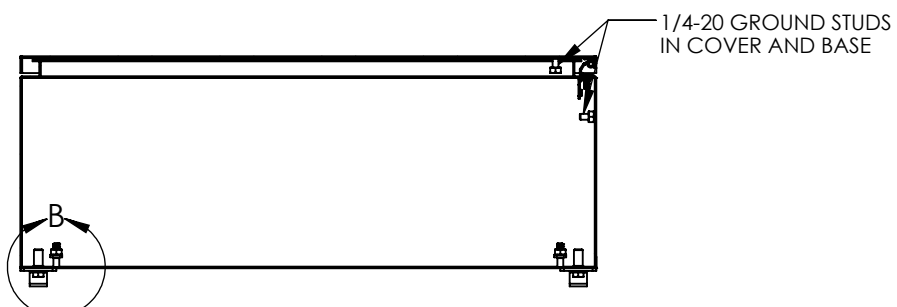
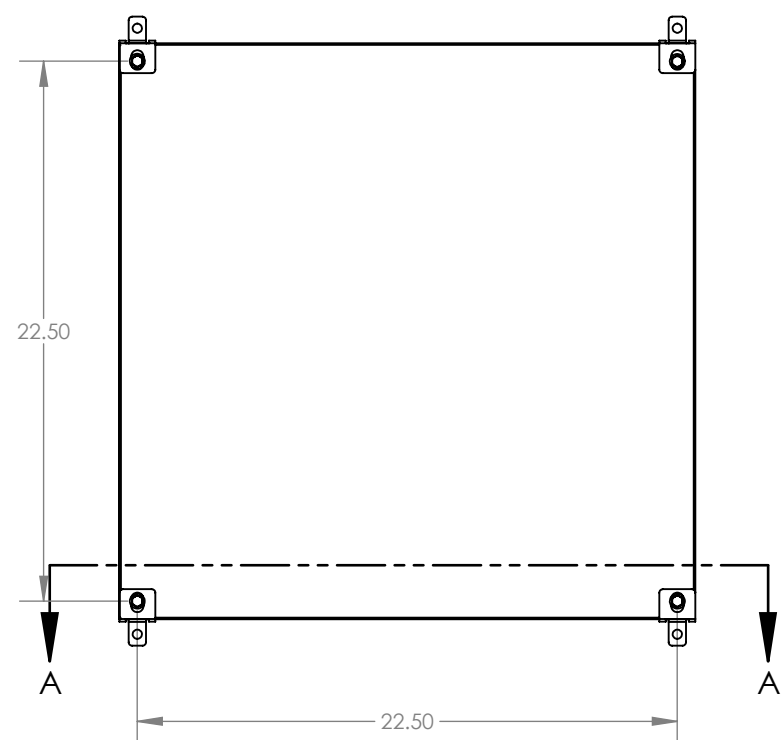
3

2

1

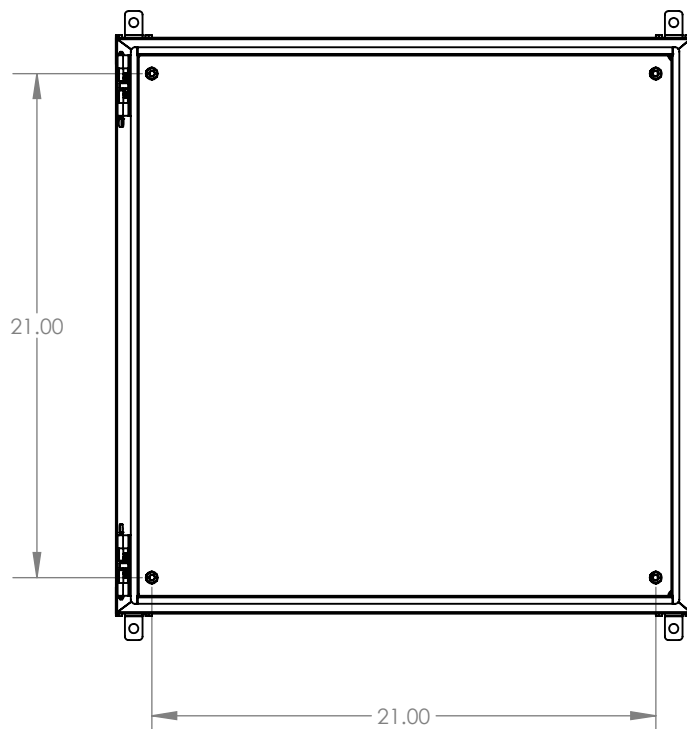
B

B



SECTION A-A

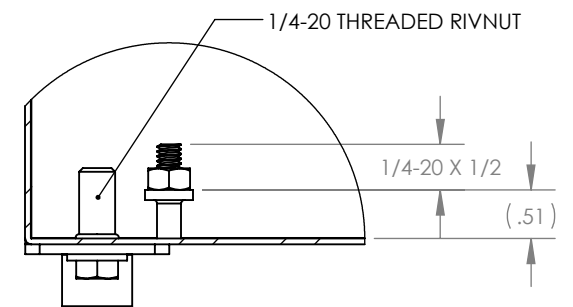
1/4-20 GROUND STUDS
IN COVER AND BASE



- NOTE:
1. BASE MATERIAL: 16 Ga. (.060") 304 SS
 2. COVER MATERIAL: 14 Ga. (.075") 304 SS

A

A



DETAIL B
SCALE 1 : 2

INTEGRA ENCLOSURES
 A DIVISION OF MUM INDUSTRIES
 8989 TYLER BLVD. MENTOR, OH
 (440)269-8155 FAX (440)269-8166

UNLESS OTHERWISE SPECIFIED:
 DIMENSIONS ARE IN INCHES [MM]
 AND ARE NOMINAL ONLY

PROPRIETARY AND CONFIDENTIAL
 THE INFORMATION CONTAINED IN THIS
 DRAWING IS THE SOLE PROPERTY OF
 MUM INDUSTRIES INC. ANY
 REPRODUCTION IN PART OR AS A WHOLE
 WITHOUT THE WRITTEN PERMISSION OF
 MUM INDUSTRIES INC. IS PROHIBITED.

DWG. NO.		
W242408-4PQ-BT		
SIZE	DESCRIPTION:	REV
B	WALL-24X24X08-304- PHN-QTL	C
DRAWN BY:	ZNT	03.24.2021
SCALE: 1:8	WEIGHT:	SHEET 2 OF 2

4

3

2

1