

4

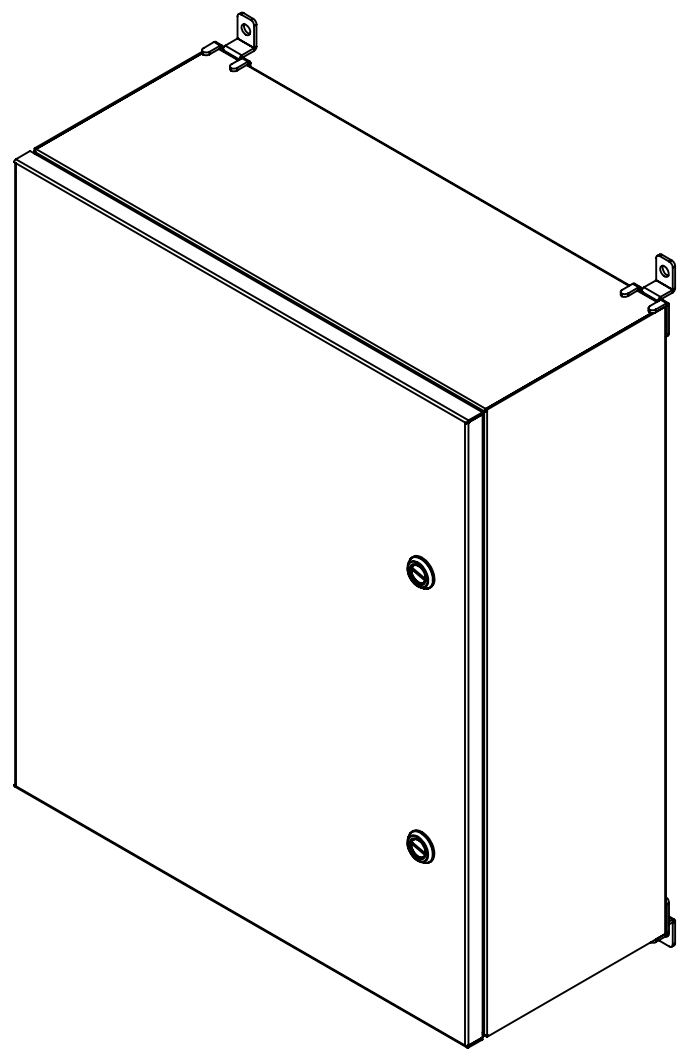
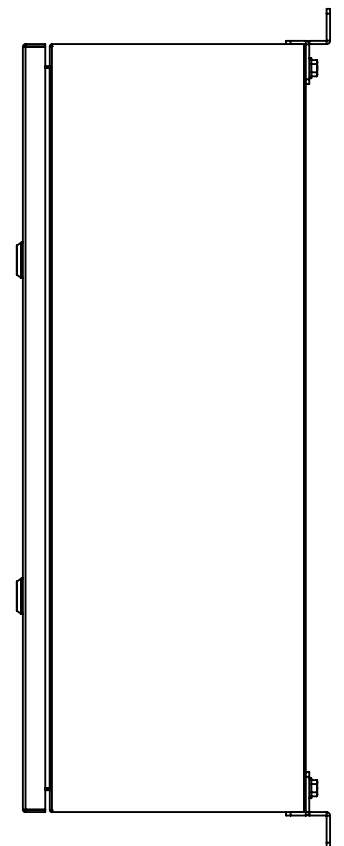
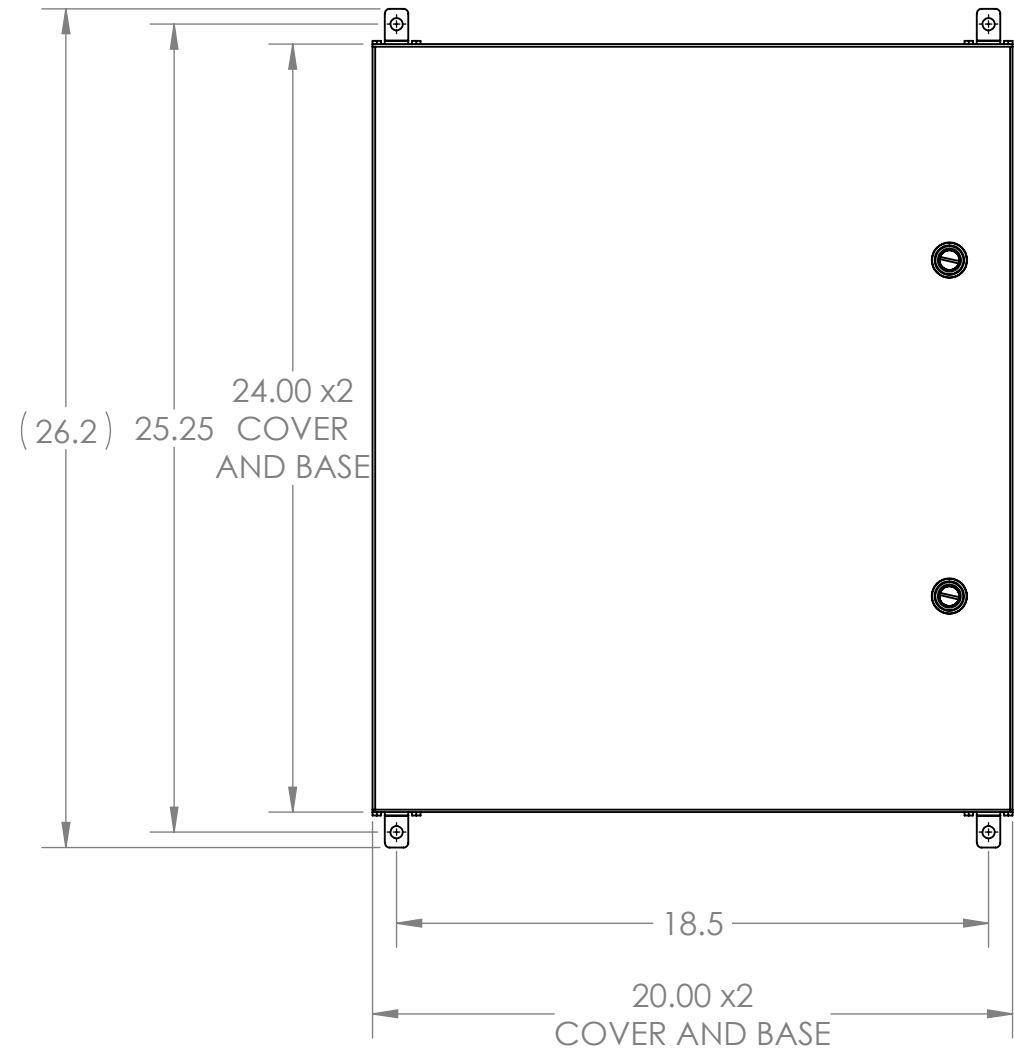
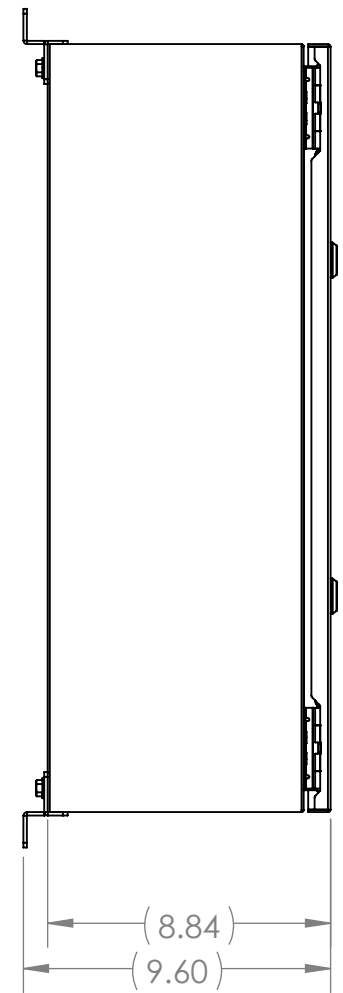
3

2

1

B

B



A

A

4

3

2

1

- NOTE:
 1. BASE MATERIAL: 16 Ga. (.060") 304 SS
 2. COVER MATERIAL: 14 Ga. (.075") 304 SS

UNLESS OTHERWISE SPECIFIED:
 DIMENSIONS ARE IN INCHES [MM]
 AND ARE NOMINAL ONLY

PROPRIETARY AND CONFIDENTIAL
 THE INFORMATION CONTAINED IN THIS
 DRAWING IS THE SOLE PROPERTY OF
 MUM INDUSTRIES INC. ANY
 REPRODUCTION IN PART OR AS A WHOLE
 WITHOUT THE WRITTEN PERMISSION OF
 MUM INDUSTRIES INC. IS PROHIBITED.

INTEGRA ENCLOSURES
 A DIVISION OF MUM INDUSTRIES
 8989 TYLER BLVD. MENTOR, OH
 (440)269-8155 FAX (440)269-8166

| | | |
|----------------|-------------------------------|--------------|
| DWG. NO. | | |
| W242008-4PQ-BT | | |
| SIZE | DESCRIPTION: | REV |
| B | WALL-24X20X08-304- PHN-QTL | C |
| DRAWN BY: | CV | 04.09.2021 |
| SCALE: 1:6 | WEIGHT: | SHEET 1 OF 2 |

4

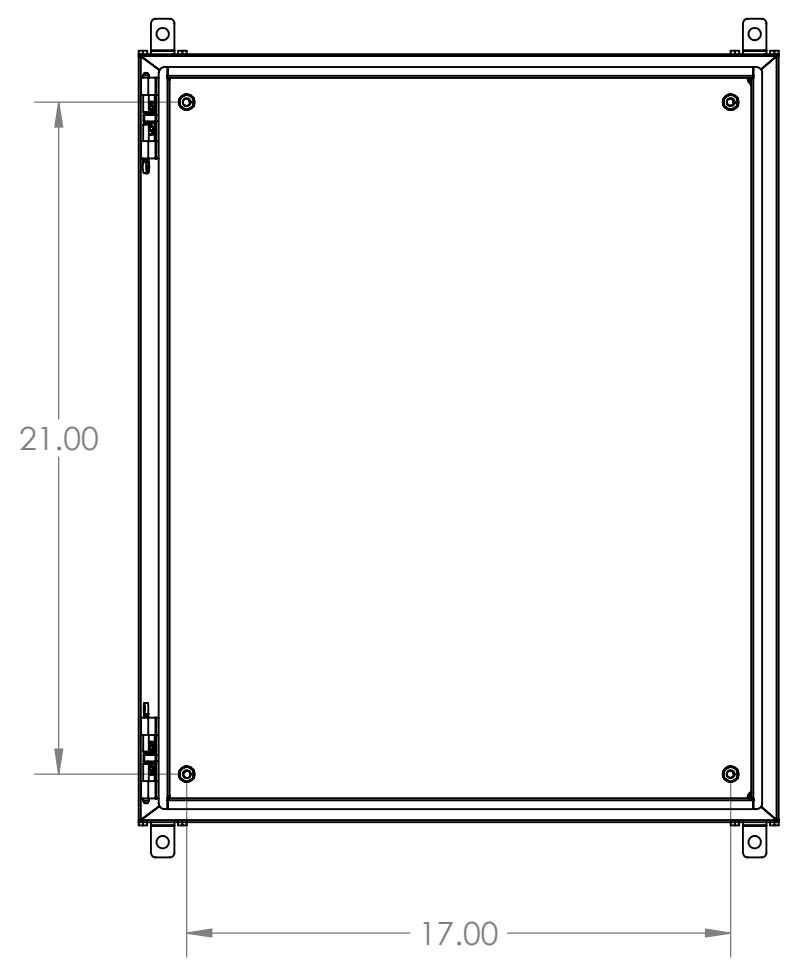
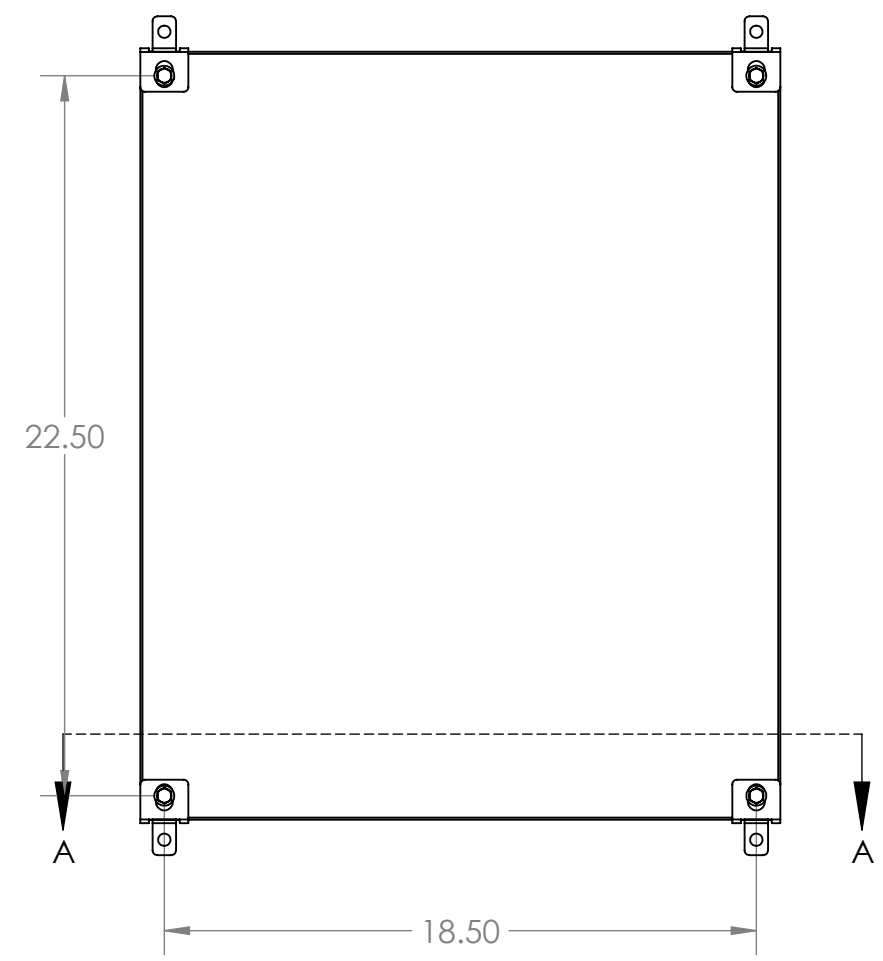
3

2

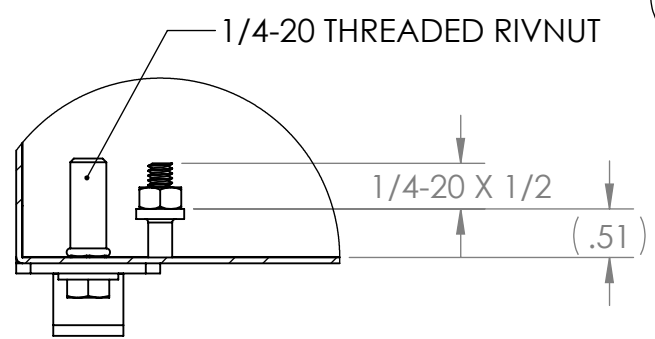
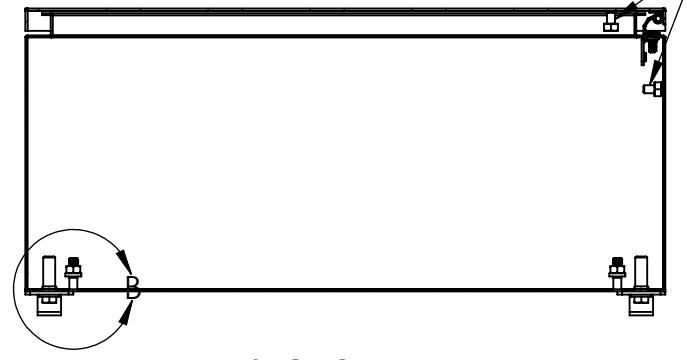
1

B

B



1/4-20 GROUND STUDS IN COVER AND BASE



DETAIL B x 4
SCALE 1 : 2

INTEGRA ENCLOSURES

INTEGRA A DIVISION OF MUM INDUSTRIES
ENCLOSURES 8989 TYLER BLVD. MENTOR, OH
(440)269-8155 FAX (440)269-8166

UNLESS OTHERWISE SPECIFIED:
DIMENSIONS ARE IN INCHES [MM]
AND ARE NOMINAL ONLY

PROPRIETARY AND CONFIDENTIAL
THE INFORMATION CONTAINED IN THIS
DRAWING IS THE SOLE PROPERTY OF
MUM INDUSTRIES INC. ANY
REPRODUCTION IN PART OR AS A WHOLE
WITHOUT THE WRITTEN PERMISSION OF
MUM INDUSTRIES INC. IS PROHIBITED.

DRAWN BY: CV 04.09.2021

DWG. NO.

W242008-4PQ-BT

| SIZE | DESCRIPTION: | REV |
|----------|---------------------------|----------|
| B | WALL-24X20X08-304-PHN-QTL | C |

SCALE: 1:6 WEIGHT: SHEET 2 OF 2

4

3

2

1

A

A