

4

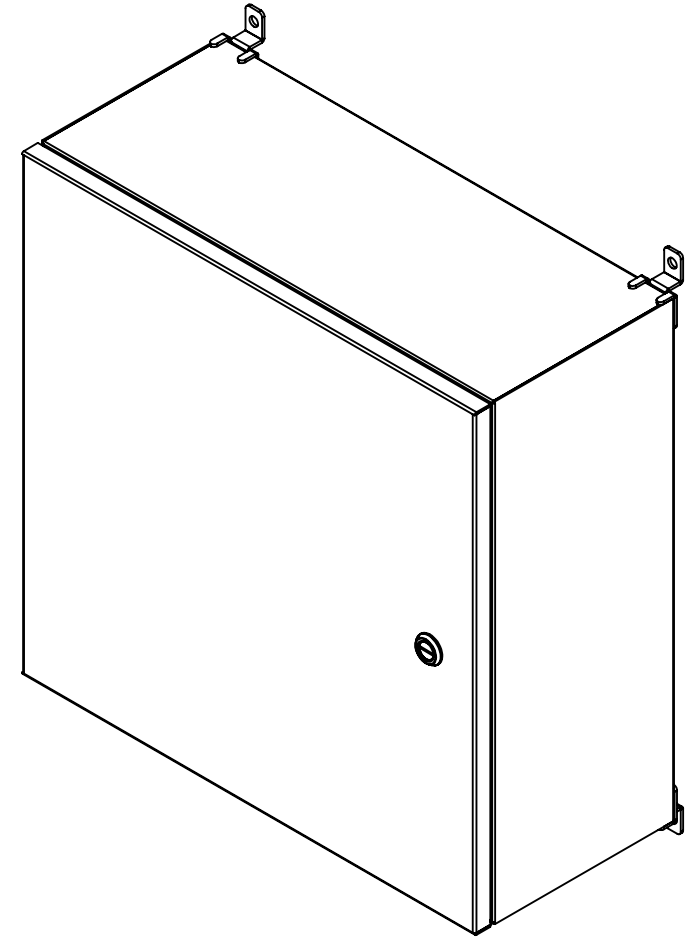
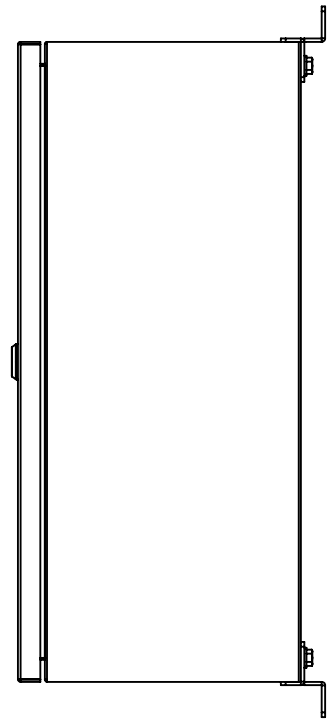
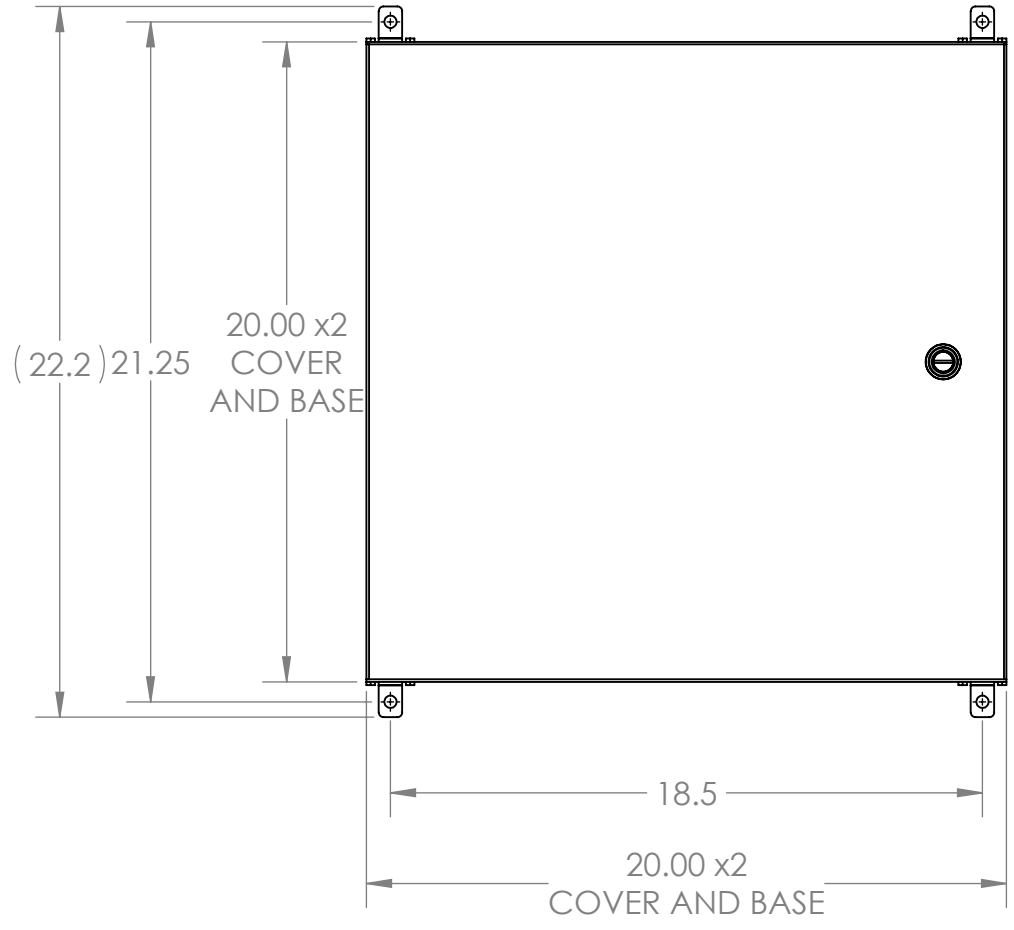
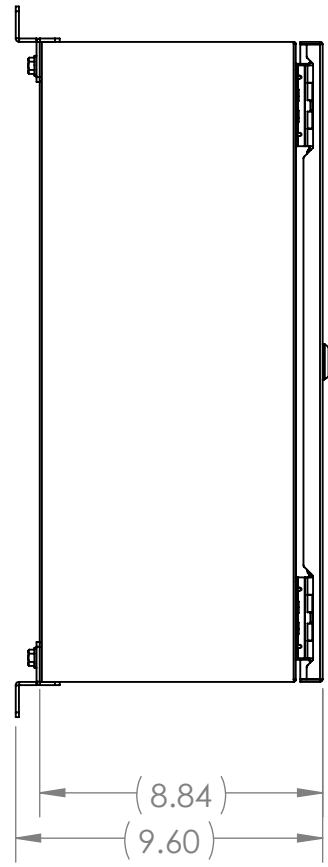
3

2

1

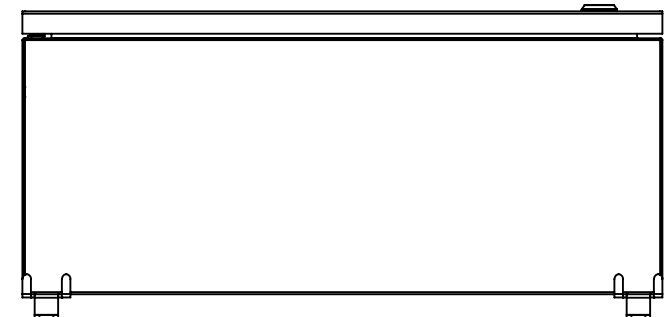
B

B



A

A



- NOTE:
 1. BASE MATERIAL: 16 Ga. (.060") 304 SS
 2. COVER MATERIAL: 14 Ga. (.075") 304 SS

INTEGRA ENCLOSURES
 A DIVISION OF MUM INDUSTRIES
 8989 TYLER BLVD. MENTOR, OH
 (440)269-8155 FAX (440)269-8166

UNLESS OTHERWISE SPECIFIED: DIMENSIONS ARE IN INCHES [MM] AND ARE NOMINAL ONLY			DWG. NO. W202008-4PQ-BT	
PROPRIETARY AND CONFIDENTIAL THE INFORMATION CONTAINED IN THIS DRAWING IS THE SOLE PROPERTY OF MUM INDUSTRIES INC. ANY REPRODUCTION IN PART OR AS A WHOLE WITHOUT THE WRITTEN PERMISSION OF MUM INDUSTRIES INC. IS PROHIBITED.			SIZE B	DESCRIPTION: WALL-20X20X08-304- PHN-QTL
DRAWN BY: CV	05.05.2021	SCALE: 1:6	WEIGHT:	REV C SHEET 1 OF 2

4

3

2

1

4

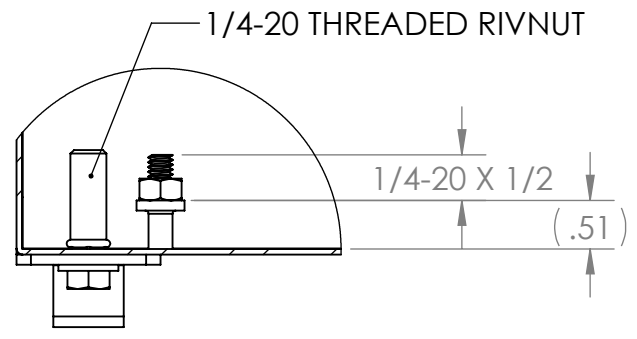
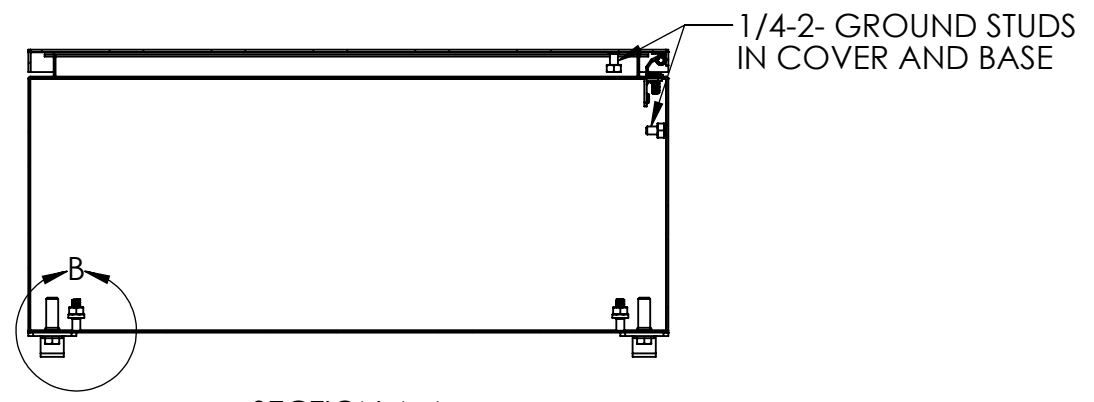
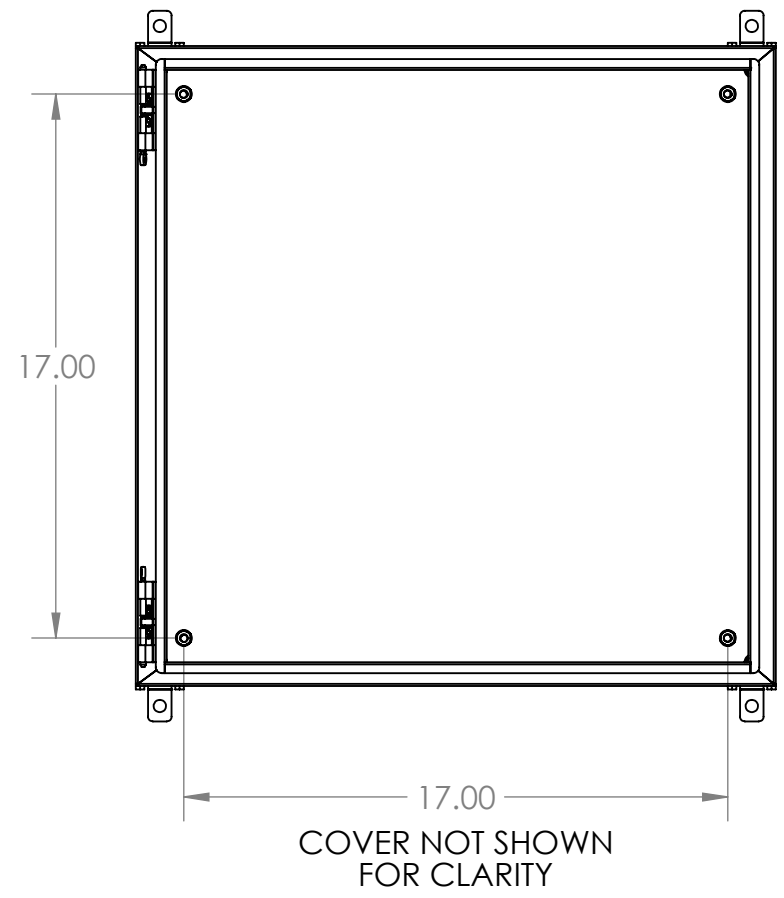
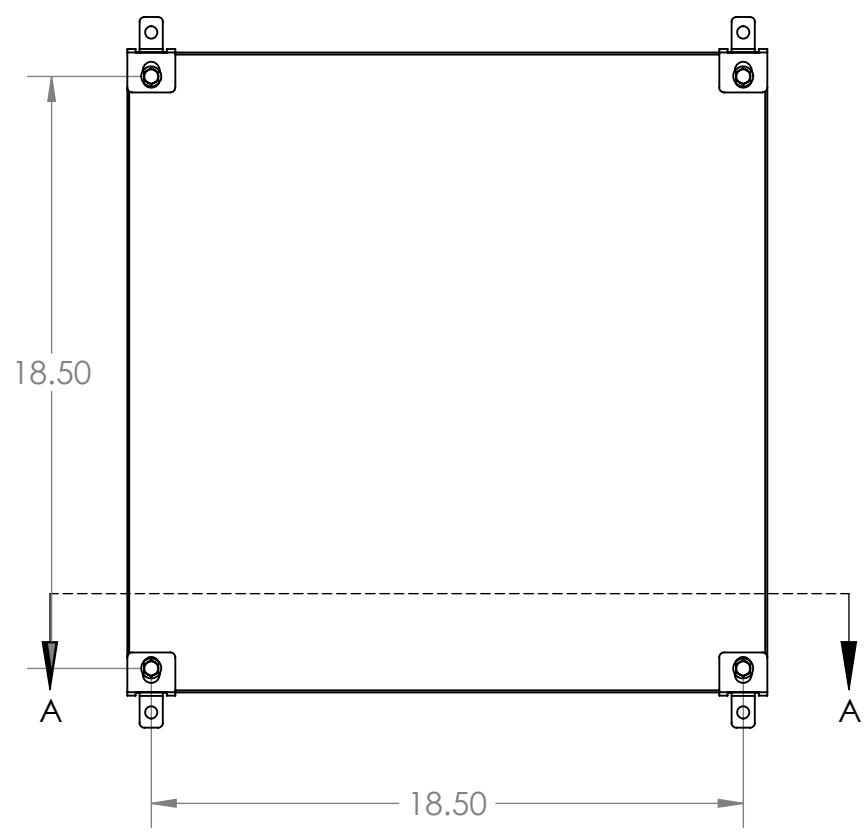
3

2

1

B

B



DETAIL B x 4
SCALE 1 : 2

INTEGRA ENCLOSURES

INTEGRA ENCLOSURES A DIVISION OF MUM INDUSTRIES
8989 TYLER BLVD. MENTOR, OH
(440)269-8155 FAX (440)269-8166

UNLESS OTHERWISE SPECIFIED:
DIMENSIONS ARE IN INCHES [MM]
AND ARE NOMINAL ONLY

PROPRIETARY AND CONFIDENTIAL
THE INFORMATION CONTAINED IN THIS
DRAWING IS THE SOLE PROPERTY OF
MUM INDUSTRIES INC. ANY
REPRODUCTION IN PART OR AS A WHOLE
WITHOUT THE WRITTEN PERMISSION OF
MUM INDUSTRIES INC. IS PROHIBITED.

DRAWN BY: CV 05.05.2021

DWG. NO.

W202008-4PQ-BT

SIZE	DESCRIPTION:	REV
B	WALL-20X20X08-304-PHN-QTL	C

SCALE: 1:6 WEIGHT: SHEET 2 OF 2

4

3

2

1

A

A