

4

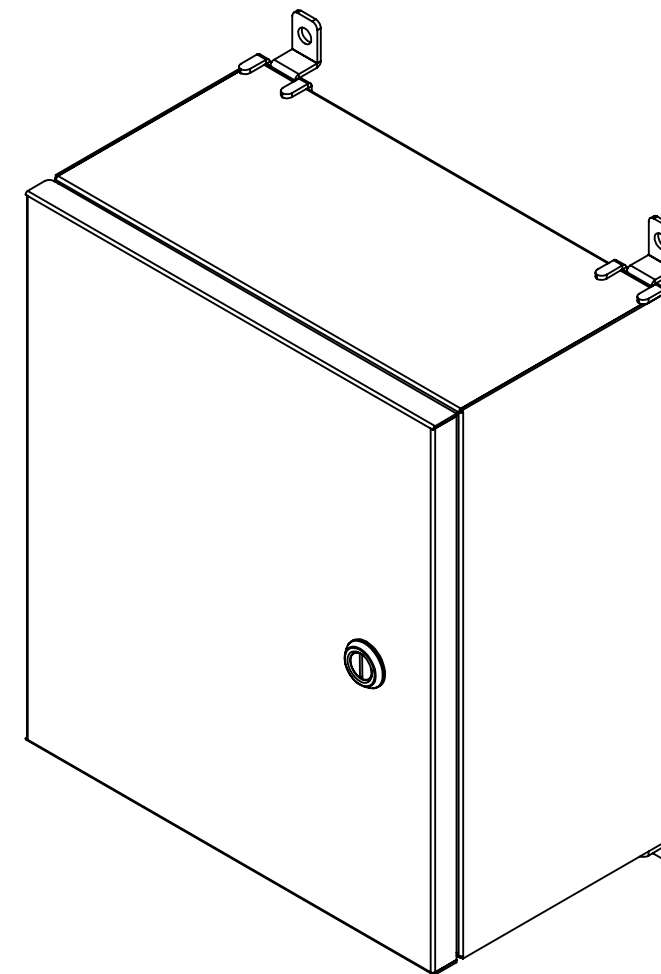
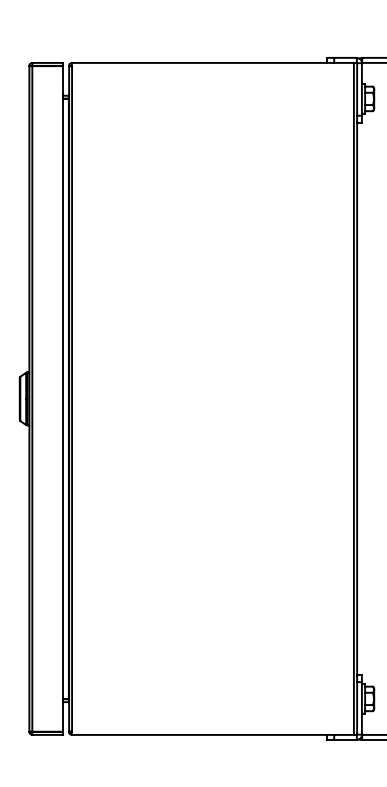
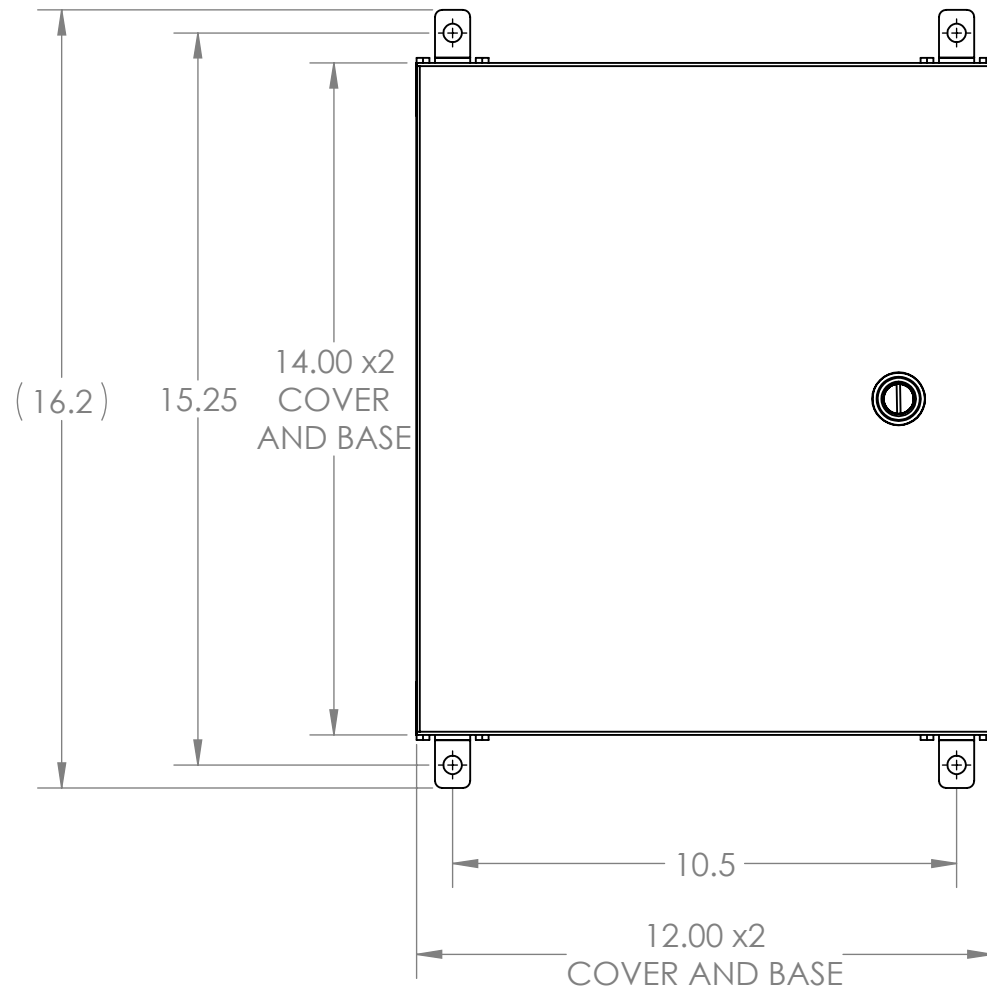
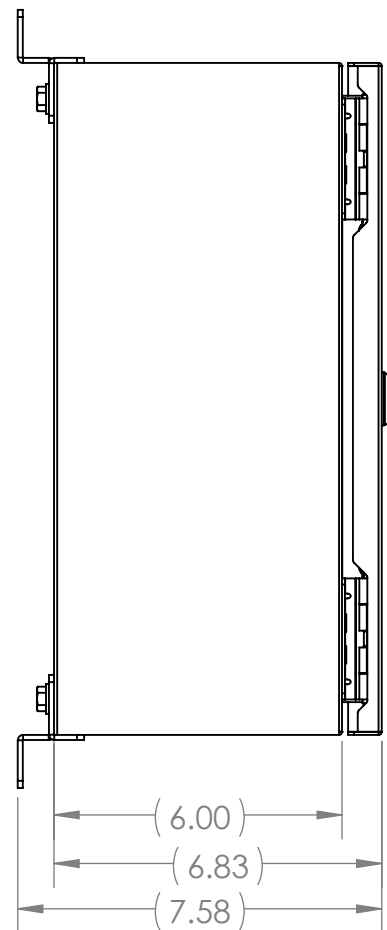
3

2

1

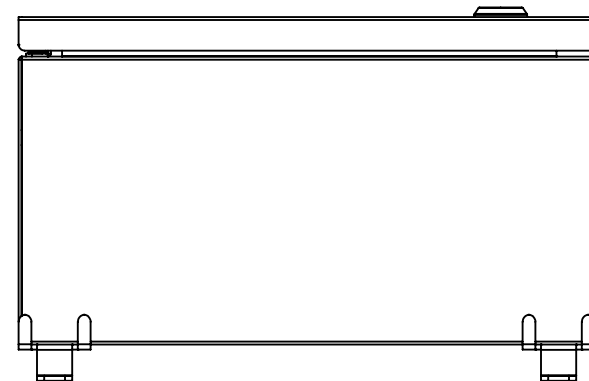
B

B



A

A



NOTE:  
 1. BASE MATERIAL: 16 Ga. (.060") 304 SS  
 2. COVER MATERIAL: 16 Ga. (.060") 304 SS

**INTEGRA ENCLOSURES**  
 A DIVISION OF MUM INDUSTRIES  
 8989 TYLER BLVD. MENTOR, OH  
 (440)269-8155 FAX (440)269-8166

UNLESS OTHERWISE SPECIFIED: DIMENSIONS ARE IN INCHES [MM] AND ARE NOMINAL ONLY		DWG. NO. <b>W141206-4PQ-BT</b>	
<b>PROPRIETARY AND CONFIDENTIAL</b> THE INFORMATION CONTAINED IN THIS DRAWING IS THE SOLE PROPERTY OF MUM INDUSTRIES INC. ANY REPRODUCTION IN PART OR AS A WHOLE WITHOUT THE WRITTEN PERMISSION OF MUM INDUSTRIES INC. IS PROHIBITED.			
SIZE <b>B</b>	DESCRIPTION: WALL-14X12X06-304- PHN-QTL	REV <b>C</b>	
DRAWN BY: DLA	06.22.2021	SCALE: 1:4	WEIGHT: SHEET 1 OF 2

4

3

2

1

4

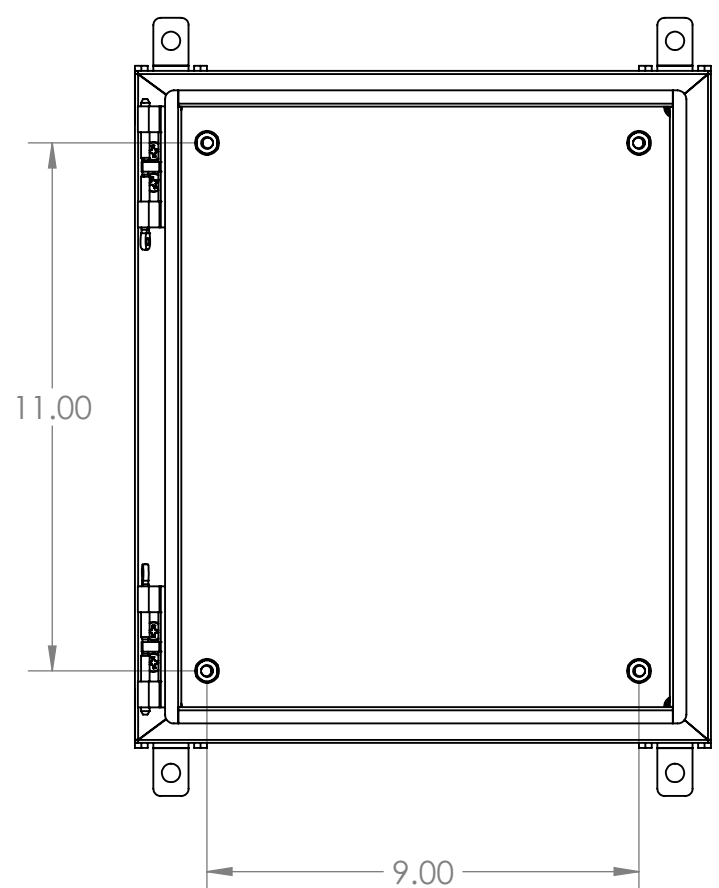
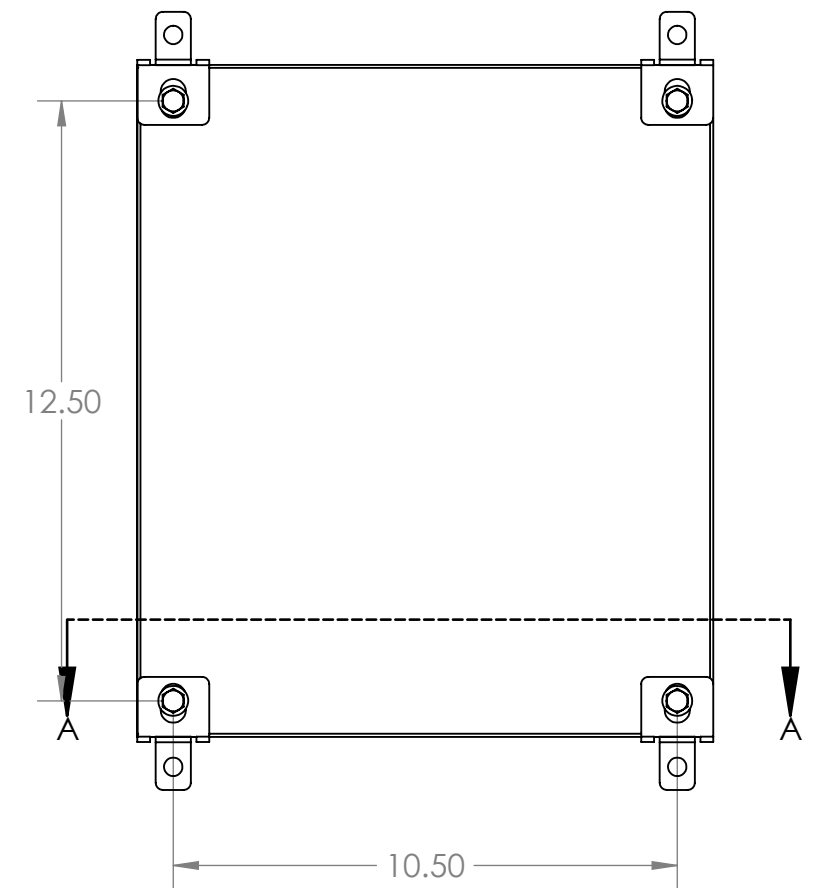
3

2

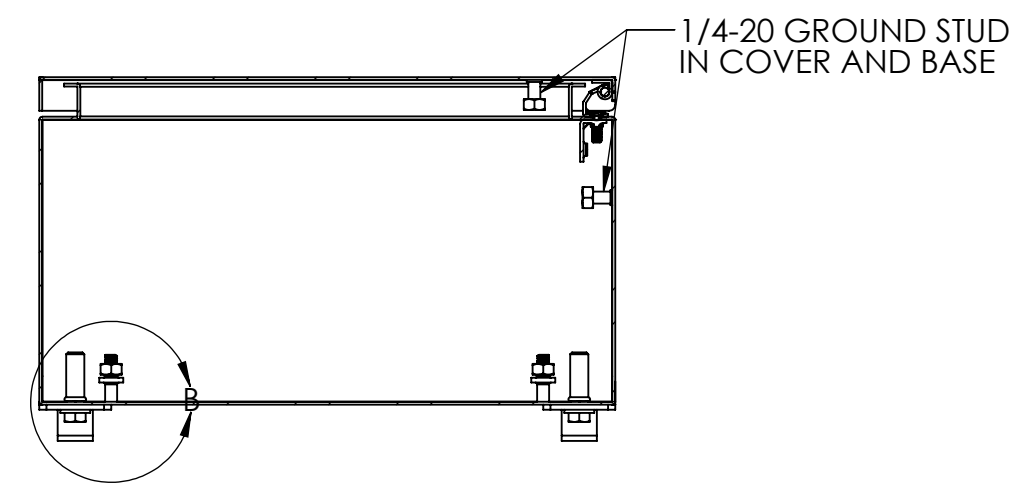
1

B

B

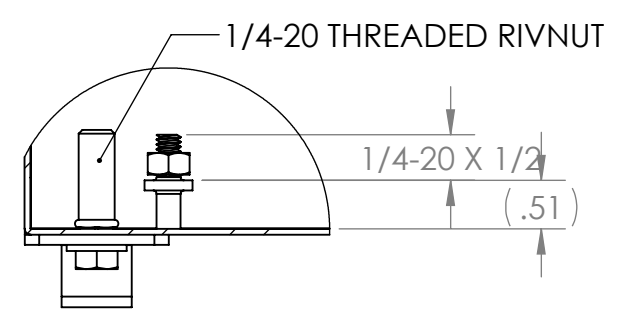


COVER NOT SHOWN FOR CLARITY



1/4-20 GROUND STUD IN COVER AND BASE

SECTION A-A



DETAIL B x 4 SCALE 1 : 2

4

3

2

1

A

A

**INTEGRA ENCLOSURES**

**INTEGRA** A DIVISION OF MUM INDUSTRIES  
ENCLOSURES 8989 TYLER BLVD. MENTOR, OH  
(440)269-8155 FAX (440)269-8166

UNLESS OTHERWISE SPECIFIED:  
DIMENSIONS ARE IN INCHES [MM]  
AND ARE NOMINAL ONLY

DWG. NO.  
**W141206-4PQ-BT**

**PROPRIETARY AND CONFIDENTIAL**  
THE INFORMATION CONTAINED IN THIS  
DRAWING IS THE SOLE PROPERTY OF  
MUM INDUSTRIES INC. ANY  
REPRODUCTION IN PART OR AS A WHOLE  
WITHOUT THE WRITTEN PERMISSION OF  
MUM INDUSTRIES INC. IS PROHIBITED.

SIZE	DESCRIPTION:	REV
<b>B</b>	WALL-14X12X06-304-PHN-QTL	<b>C</b>

DRAWN BY: DLA 06.22.2021

SCALE: 1:4 WEIGHT: SHEET 2 OF 2